

DS3/ E3/ STS-1 Wideband Transformer

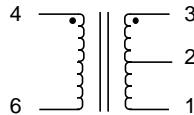
EPA3592G

- Matched to SSI78P7200, 2361, 2362, 2241 and MRT TXC-02050 Transceiver IC's •
- Isolation 1500 Vrms •
- Operating Temperature : -40°C to +85°C •

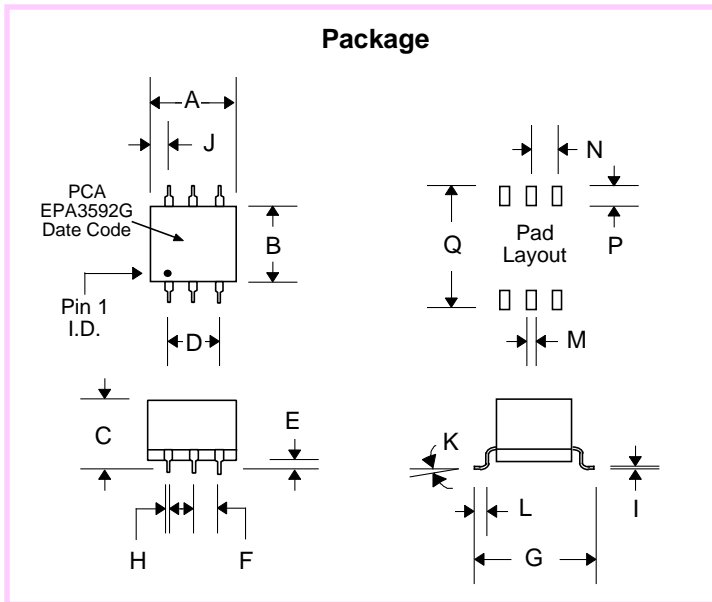
Electrical Parameters @ 25° C

| Pri. OCL (uH Min.) | | Interwinding Capacitance (pF Max.) | Leakage Inductance (uH Max.) | Bandwidth (MHz Typ.) | Turns Ratio (±2%) |
|-----------------------|--------|---------------------------------------|------------------------------------|-------------------------|----------------------|
| @ 25°C | @ 40°C | Pri. to Sec. | Measure Pins 1-3 Short Pins 6-4 | @ 75 System | Pri. : Sec. |
| 25 | 12 | 8 | 0.1 | 0.250-500 | 1 : 2 CT |

Schematic



Package



Dimensions

| Dim. | (Inches) | | | (Millimeters) | | |
|------|----------|------|------|---------------|-------|-------|
| | Min. | Max. | Nom. | Min. | Max. | Nom. |
| A | .300 | .320 | .310 | 7.62 | 8.13 | 7.88 |
| B | .260 | .280 | .270 | 6.60 | 7.12 | 6.86 |
| C | .380 | .400 | .390 | 9.65 | 10.16 | 9.91 |
| D | --- | --- | .200 | --- | --- | 5.08 |
| E | .010 | .015 | .013 | .254 | .389 | .339 |
| F | --- | --- | .100 | --- | --- | 2.54 |
| G | .370 | .390 | .380 | 9.40 | 9.91 | 9.65 |
| H | .018 | .022 | .020 | 0.46 | 0.56 | 0.51 |
| I | .008 | .012 | .010 | 0.21 | 0.30 | .254 |
| J | --- | --- | .055 | --- | --- | 1.39 |
| K | 0° | 8° | --- | 0° | 8° | --- |
| L | .025 | .045 | .035 | 0.64 | 1.14 | 0.89 |
| M | --- | --- | .030 | --- | --- | 0.76 |
| N | --- | --- | .100 | --- | --- | 2.54 |
| P | --- | --- | .085 | --- | --- | 2.16 |
| Q | --- | --- | .440 | --- | --- | 11.18 |