

EPB5067G



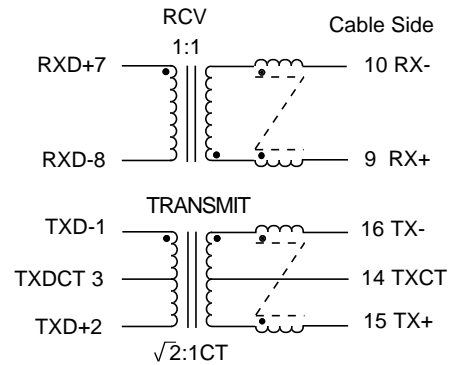
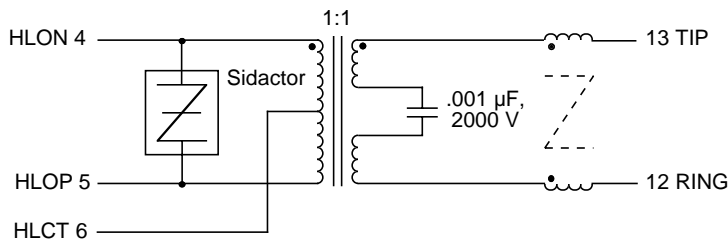
- For TDK 78Q2132 Chip •
- Includes 10 Base-T Magnetics with Common Mode Chokes •
 - Supports TUT Systems HPN Architecture •
 - Meets or exceeds IEEE 802.3 Requirements •
 - Robust construction allows for reflow processes •
 - Temperature Range -40°C to +85°C •

Electrical Parameters @ 25° C

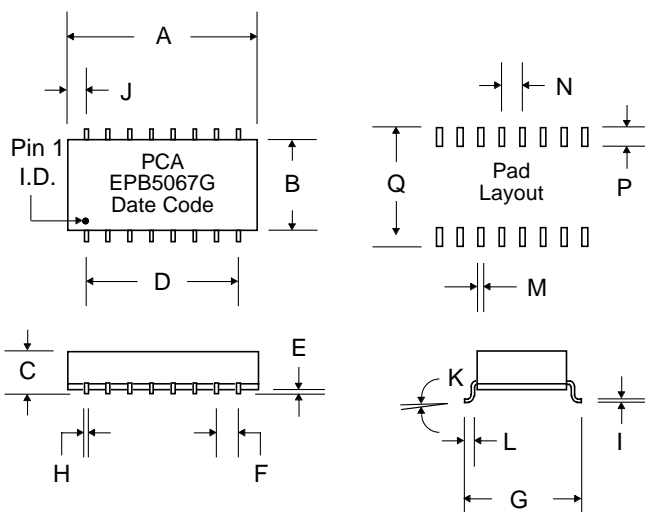
OCL (μH Min.) Pins 12-13 & 15-16	Insertion Loss (dB Max.)	Return Loss (dB Min.)	CrossTalk (dB Min.)
@ 100 KHz, 0.1 Vrms	1-10 MHz	1-10 MHz	@ 1-10 MHz
100 μH	-1	-15	-45

- Characteristic Filter Impedance : 100 Ω •

Schematic



Package



Dimensions

Dim.	(Inches)			(Millimeters)		
	Min.	Max.	Nom.	Min.	Max.	Nom.
A	.990	1.010	1.00	25.15	25.65	25.40
B	.470	.490	.480	11.94	12.45	12.19
C	.250	.270	.260	6.35	6.86	6.60
D	---	---	.700	---	---	17.78
E	.010	.015	.0125	.254	.381	.317
F	---	---	.100	---	---	2.54
G	.590	.610	.600	14.99	15.49	15.24
H	.016	.022	.018	.406	.559	.457
I	.008	.012	.010	.203	.305	.254
J	---	---	.200	---	---	5.08
K	0°	8°	---	0°	8°	---
L	.025	.045	.035	.635	1.14	.889
M	---	---	.030	---	---	.762
N	---	---	.100	---	---	2.54
P	---	---	.090	---	---	2.29
Q	---	---	.670	---	---	17.02