

Ethernet DC/DC Converter EPC1019P & EPC1019H

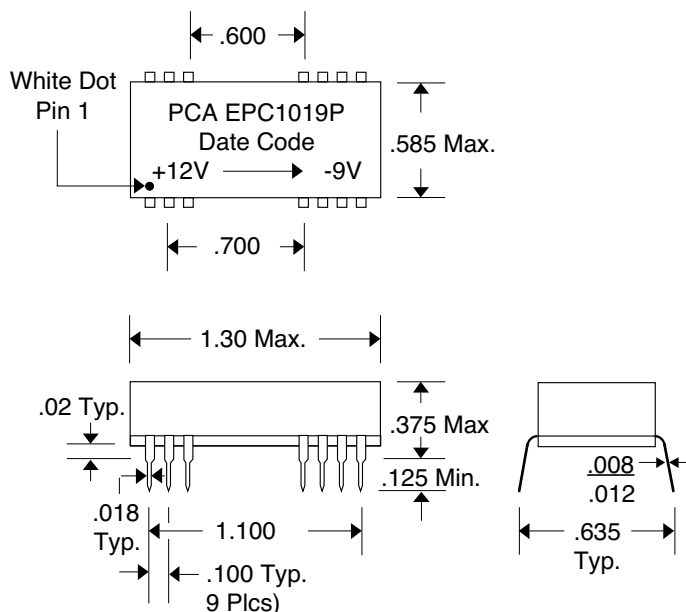
Features

- 70 % Typical efficiency at full load
- DC - DC Regulated Converter
- Designed for low common mode noise
- Input / Output Isolation
- Input filter to reduce input ripple current
- Enable pin active high

Electrical Specifications for EPC1019P & EPC1019H

Parameters			Units	Pin Connections			Pin Connections		
Input Voltage (for specified output)	12 ± 10 %	Volts		Pins 1 & 2	V in +	(+ 12V)	Pins 9 & 10	V out -	(- 9V)
Output Voltage	- 9 ± 5 %	Volts		Pins 23 & 24	V in -	(12V RTN)	Pins 11 & 12	V out +	(- 9V RTN)
Output Current	200 Max.	mA		Pin 22	Enable		Pin 3	N/C	
Output Ripple & Noise @ 20 MHz BW	100 P:P Max	mV					Pins 13-16	N/C	
Isolation Part Number EPC1019P	500	Vrms							
Isolation Part Number EPC1019H	2000	Vrms							

Package



16799 SCHOENBORN ST.
 NORTH HILLS, CA 91343
 TEL: (818) 892-0761
 FAX: (818) 894-5791
 WEB: <http://www.pca.com>