

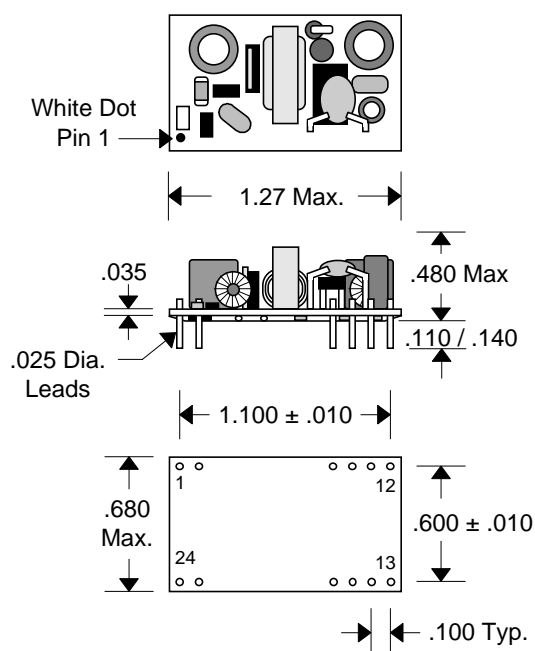
# DC/DC Converter EPC1053

- Features**
- 70 % Typical efficiency at full load and at 12 V Nominal input voltage
  - Designed for low common mode noise
  - Input filter to reduce input ripple current (Less than 10 mA p-p typical)
  - Fuse Protected
  - Pulse Width Modulator Circuit (For high efficiency and excellent line and load regulation.)
  - Input / Output Isolation
  - Precision Regulated

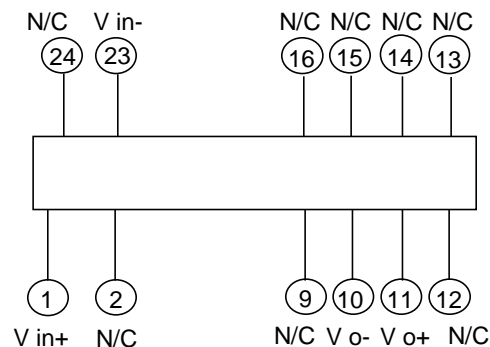
## Electrical Specifications

Parameters	Min.	Typ.	Max.	Units
Input Voltage	7.5	12	16	Volts
Output Voltage	8.55	9.0	9.45	Volts
Output Current	0	----	250	mA
Output Ripple & Noise @ 20 MHz BW	----	----	100	mV p-p
Input Ripple Current	----	----	25	mA p-p
Input /Output Isolation	500	----	----	Vrms

## Package L



## Pin Connections



16799 Schoenborn St.  
North Hills, CA 91343  
Phone: (818) 892-0761  
Fax: (818) 894-5791