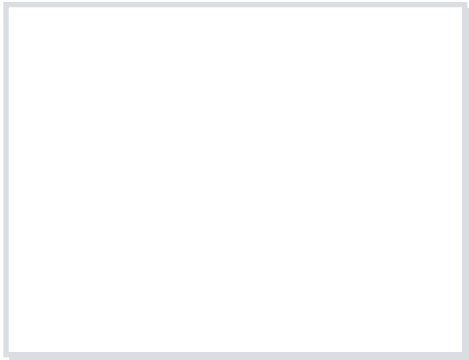


## EPC3010



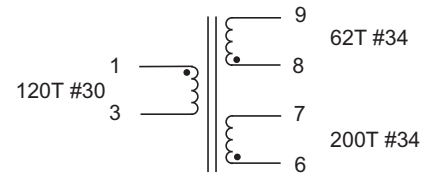
• Wires & Tape Insulating Material : Class 130 •

### Primary Specification

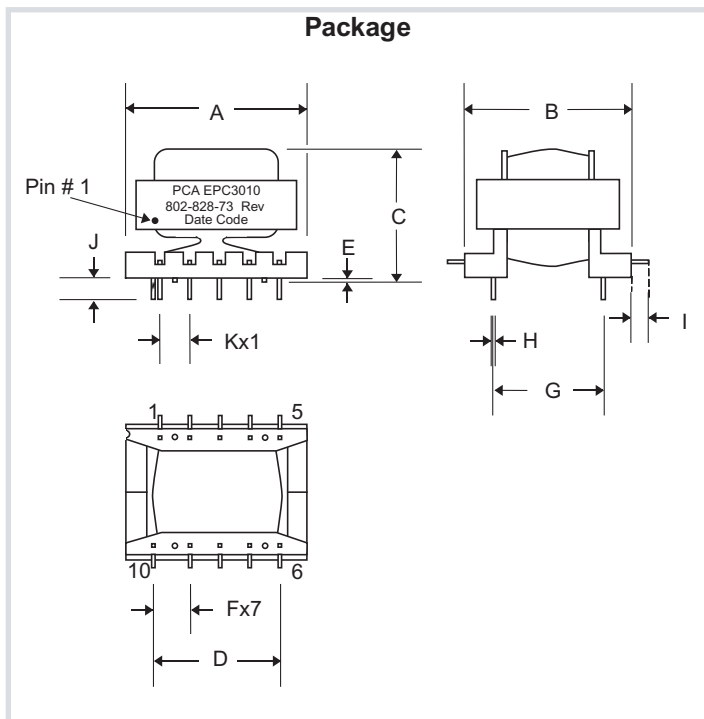
Inductance (mH Min.)	DCR ( $\Omega$ Typ.)		
@ 10 KHz, 0.1 Vrms			
25	1.55	2.63	7.81
Pins 1-3	Pins 1-3	Pins 9-8	Pins 7-6

Leakage Inductance ( $\mu$ H Max.)	Dielectric Rating (Vrms)	
@ 100 KHz 0.1Vrms	1 Second	1 Second
85	2000	500
Pins 1-3 with all Wdg's shorted	Pri. to all Sec. Wdg's & Core	Between Sec. Wdg's

### Schematic



### Package



### Dimensions

Dim.	(Inches)			(Millimeters)		
	Min.	Max.	Nom.	Min.	Max.	Nom.
A	---	1.04	---	---	26.30	---
B	---	.831	---	---	21.10	---
C	---	.823	---	---	20.90	---
D	---	---	.803	---	---	20.40
E	---	---	.012	---	---	.300
F	---	---	.201	---	---	5.10
G	---	---	.614	---	---	15.60
H	---	---	.026	---	---	.650
I	.110	---	---	2.80	---	---
J	.159	---	---	4.05	---	---
K	---	---	.150	---	---	3.80