

EPC3093-X

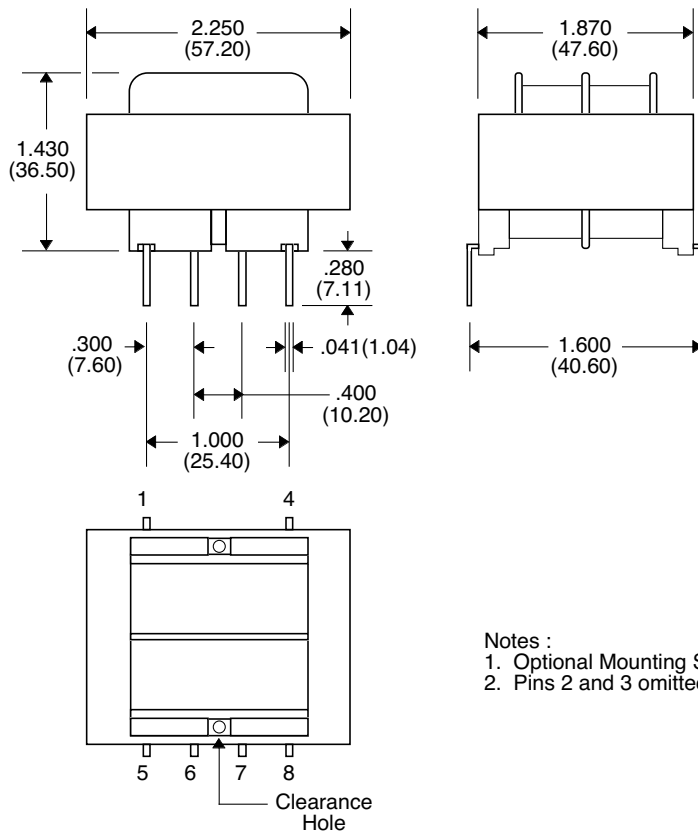
- Single Primary : 115 V
- Split Bobbin Construction
- UL 94V-0 Recognized Components
- UL 1446 Class B Insulation System
- Meets or exceeds CSA/TUV/VDE Specifications for Creepage, Clearance and Dielectric Strength

Electrical Parameters @ 25° C

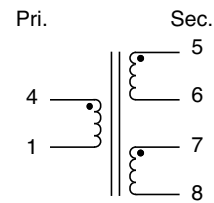
Part Number	Primary Voltage	Secondary Voltage		Secondary Current (A-Rms)		Power Rating (VA)
		Parallel Connection	Series Connection	Parallel Connection	Series Connection	
EPC3093-1	115	5.0	10	4.00	2.00	20
EPC3093-2	115	6.3	12.6	3.20	1.60	20
EPC3093-3	115	8.0	16	2.50	1.25	20
EPC3093-4	115	10	20	2.00	1.00	20
EPC3093-5	115	12	24	1.60	0.80	20
EPC3093-6	115	14	28	1.40	0.70	20
EPC3093-7	115	18	36	1.10	0.55	20
EPC3093-8	115	24	48	0.80	0.40	20
EPC3093-9	115	28	56	0.70	0.35	20
EPC3093-10	115	60	120	0.32	0.16	20

• Switching Frequency : 50 Hz - 500 Hz • Isolation : 2500 Vrms •

Package



Schematic



Notes :

1. Optional Mounting Screws and Nut : 4-40 x 1.37 Nylon (4-40 x 34.9 mm)
2. Pins 2 and 3 omitted

Unless Otherwise Specified Dimensions are in Inches /mm ±.010 / .25