

# ADSL Transformer

## EPD1008G

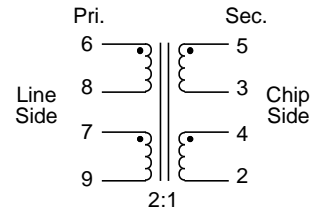
- Designed for use with Texas Instruments •  
TNETD2000 ADSL Chip Set
- Designed to meet Supplementary Insulation Requirement •  
of IEC950 for 250 VAC working Voltage
- Excellent THD Characteristic •
- Isolation : 2000Vrms •

### Electrical Parameters @ 25° C

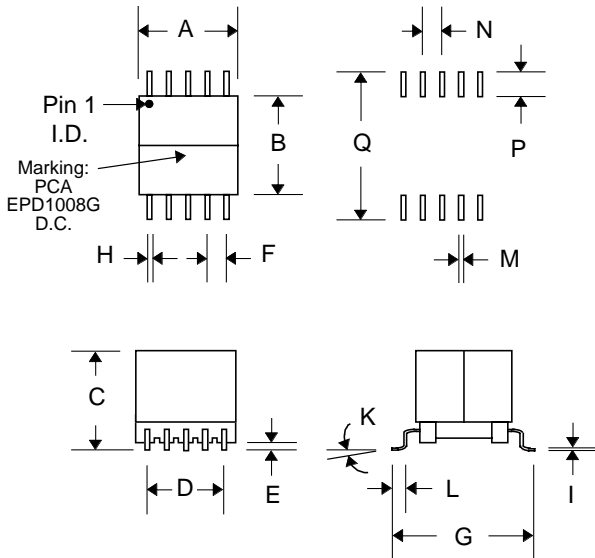
Pri. OCL (mH ± 5%)	Leakage Inductance (μH Max.)	Total Harmonic Distortion (dB Typ.)	Longitudinal Balance (dB Min.)	DCR (Ω Max. ± 10%)	
				Pri.	Sec.
@ 10 KHz, 1 Vrms	@ 10 KHz, 0.1 Vrms	@100 KHz, 27.5 dBm	20 KHz~1.1 MHz	Pri.	Sec.
1.5	10	-85	-40	2	0.5
Pins 6-9 w/8-7 shorted	Pins 6-9 w/8-7, 3-4 & 5-2 shorted			Pins 6-9	Pins 5-2

- Characteristics Line Side Impedance : 100 Ω •

### Schematic



### Package



### Dimensions

Dim.	(Inches)			(Millimeters)		
	Min.	Max.	Nom.	Min.	Max.	Nom.
A	.490	.530	.512	12.45	13.46	13.00
B	.506	.516	.510	12.85	13.11	12.95
C	.460	.480	.470	11.68	12.19	11.94
D	.395	.405	.400	10.03	10.29	10.16
E	.005	.015	.010	.127	.381	.254
F	.095	.105	.100	2.41	2.67	2.54
G	.665	.675	.670	16.89	17.15	17.02
H	.026	.030	.028	.660	.762	.711
I	.010	.014	.012	.254	.356	.305
K	0°	8°	---	0°	8°	---
L	.029	.049	.039	.737	1.25	.991
M	---	---	.051	---	---	1.29
N	---	---	.098	---	---	.249
P	---	---	.100	---	---	2.54
Q	---	---	.700	---	---	17.78