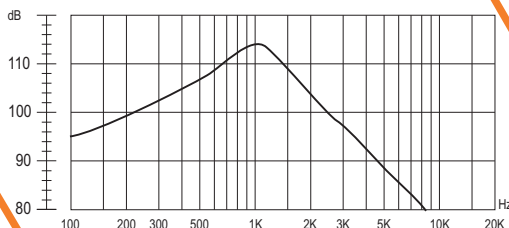
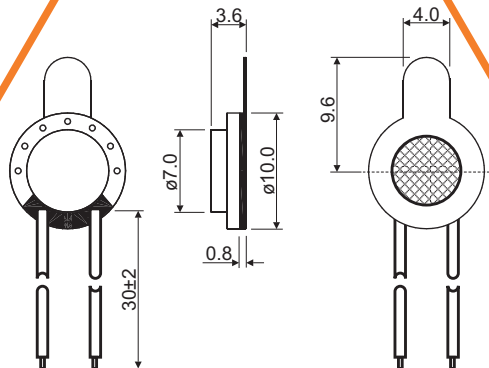
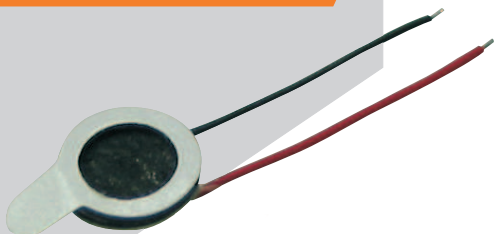


# SoniCrest SPEAKER SOUND GENERATORS

## HSR10P-32



### Dimension

Unit : mm  
Tolerance :  $\pm 0.3$ mm

### Frequency Response

Applied Voltage : 179mV, Sine Wave  
Based on IEC-R318 Standard

### ● Specification (all data taken at 25°C unless otherwise specified)

Coil Impedance ( $\Omega$ )	Rated Power (mW)	Maximum Input Power (mW)	★Sensitivity at 1kHz (dB)	★Frequency Range (Hz)	Total Harmonic Distortion (THD)	Operating Temperature (°C)	Storage Temperature (°C)
32 $\pm 10\%$	10	20	113 $\pm 3$	300 ~ 3400	< 5%	-40 ~ +70	-40 ~ +70

### HSR10P-32

The specification are only for 32 $\Omega$  version. Specification for other impedance is available upon request.  
★value Applied 179mV Input Power and Based on IEC-R318 Standard.