

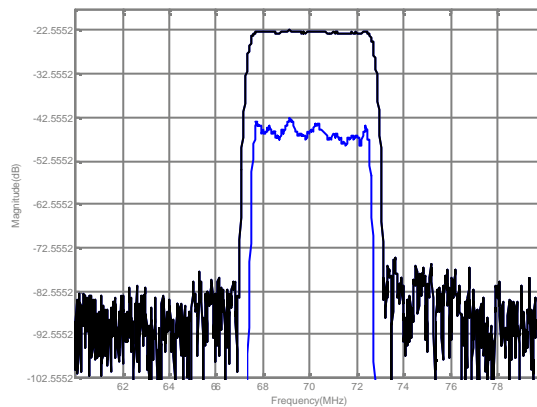


LBN07072 SAW Filter Electrical Characteristic

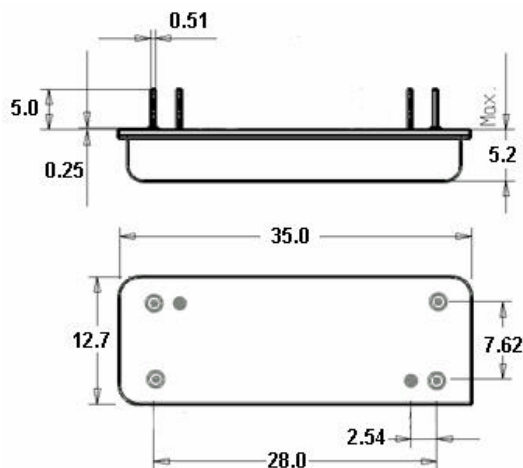
Specifications

Parameter	Unit	Minimum	Typical	Maximum
Center Frequency	MHz	69.9	70	70.1
Insertion Loss	dB		22.0	25.0
1 dB Bandwidth	MHz	4.76	5.02	
3 dB Bandwidth	MHz	5.00	5.23	
40 dB Bandwidth	MHz		6.03	6.3
50 dB Bandwidth	MHz		6.10	-
Passband Variation	dB		0.6	0.8
Absolute Delay	usec		3.15	3.7
Ultimate Rejection	dB	50	55	
Substrate Material		YZ LN		
Ambient Temperature	°C	25		
Center Frequency		DIP3512 (35.0x12.7x5.2mm ³)		

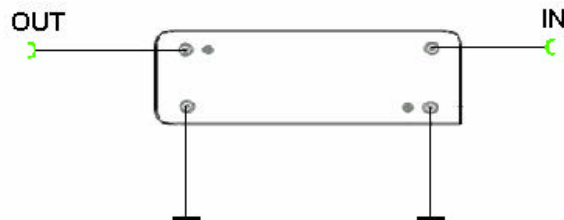
Typical Performance



Package Outline



Matching Configuration



Source/Load Impedance = 50 ohm