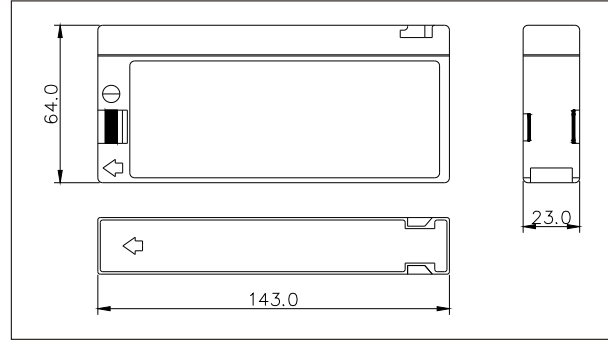




SW1215(12V1.5AH)



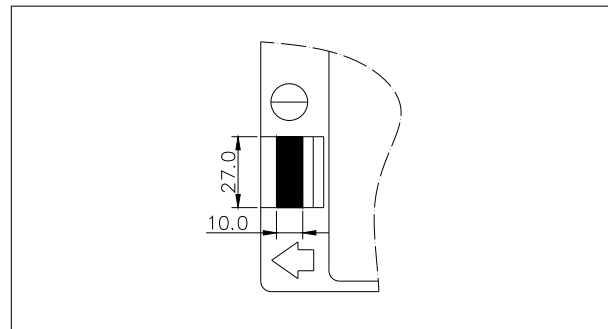
Outer dimensions (mm)



Specifications

| | | |
|-------------------------------|------------------|--------------------|
| Nominal Voltage | 12V | |
| Rated capacity (20 hour rate) | 1.5Ah | |
| Dimensions | Total Height | 64mm (2.52inches) |
| | Height | 64mm (2.52inches) |
| | Length | 143mm (5.63inches) |
| | Width | 23mm (0.91inches) |
| Weight Approx | 0.58Kg (1.28lbs) | |

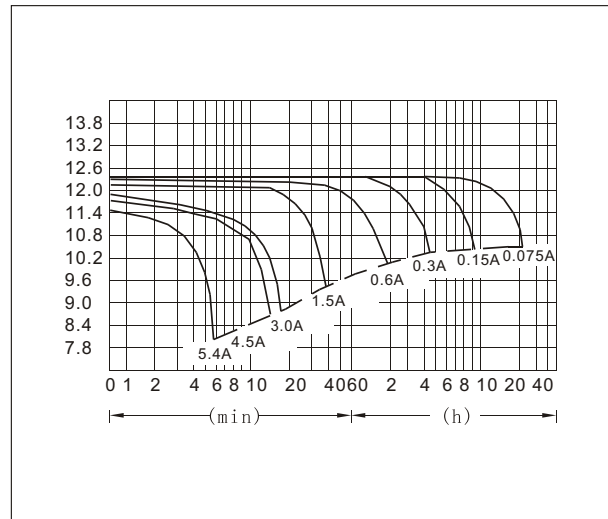
Terminal Type (mm)



Characteristics

| | | |
|---|------------------------------------|--|
| Capacity 25°C(77°F) | 20 hour rate(0.075A) | 1.50 AH |
| | 10 hour rate(0.14A) | 1.38 AH |
| | 5 hour rate(0.26 A) | 1.28 AH |
| | 1 hour rate(0.9A) | 0.9 AH |
| | 1.5 hour discharge to 10.5V | 0.64A |
| Internal Resistance | Full charged Battery at 25°C(77°F) | 80 mΩ |
| Capacity affected by Temperature (20hour rate) | 40°C(104°F) | 102% |
| | 25°C(77°F) | 100% |
| | 0°C(32°F) | 85% |
| | -15°C(5°F) | 65% |
| Self-Discharge at 25°C(77°F) | Capacity after 3 month storage | 91% |
| | Capacity after 6 month storage | 82% |
| | Capacity after 12 month storage | 64% |
| Terminal | T23 | |
| Charge (constant Voltage) | Cycle | Initial Charging Current less than 0.52A Voltage 14.40-14.70V |
| | Float | Voltage 13.50-13.80V |

Discharge Curves 25°C(77°F)



Constant Current(Amp) and Constant Power(Watt) Discharge Table at 25°C(77°F)

| Time | | 5min | 10min | 15min | 30min | 1h | 2h | 3h | 4h | 5h | 8h | 10h | 20h |
|--------|---|------|-------|-------|-------|------|------|------|------|------|------|------|------|
| 9.60V | A | 5.4 | 3.54 | 2.63 | 1.73 | 0.90 | 0.53 | 0.39 | 0.31 | 0.26 | 0.17 | 0.14 | 0.08 |
| | W | 56.1 | 38.0 | 28.1 | 18.6 | 9.75 | 5.76 | 4.30 | 3.49 | 2.99 | 1.99 | 1.64 | 0.90 |
| 10.20V | A | 5.0 | 3.39 | 2.41 | 1.64 | 0.84 | 0.50 | 0.38 | 0.30 | 0.26 | 0.17 | 0.14 | 0.08 |
| | W | 53.2 | 37.9 | 27.0 | 18.4 | 9.56 | 5.81 | 4.34 | 3.49 | 3.01 | 1.99 | 1.64 | 0.89 |
| 10.50V | A | 4.5 | 3.17 | 2.25 | 1.59 | 0.82 | 0.49 | 0.37 | 0.29 | 0.26 | 0.17 | 0.14 | 0.08 |
| | W | 49.5 | 36.0 | 25.7 | 18.3 | 9.44 | 5.73 | 4.29 | 3.34 | 2.99 | 1.99 | 1.63 | 0.89 |
| 10.80V | A | 4.3 | 3.03 | 2.10 | 1.54 | 0.79 | 0.48 | 0.36 | 0.28 | 0.24 | 0.16 | 0.13 | 0.07 |
| | W | 48.6 | 34.9 | 24.2 | 17.9 | 9.19 | 5.64 | 4.28 | 3.31 | 2.88 | 1.95 | 1.60 | 0.87 |
| 11.10V | A | 4.0 | 2.85 | 1.95 | 1.50 | 0.76 | 0.47 | 0.34 | 0.27 | 0.23 | 0.16 | 0.13 | 0.07 |
| | W | 45.4 | 33.0 | 22.7 | 17.6 | 8.94 | 5.54 | 4.08 | 3.28 | 2.78 | 1.92 | 1.59 | 0.86 |