

40PIN SMD ETHERNET 10/100 BASE TX TWO PORT TRANSFORMER

P/N: 40ST1021D DATA SHEET

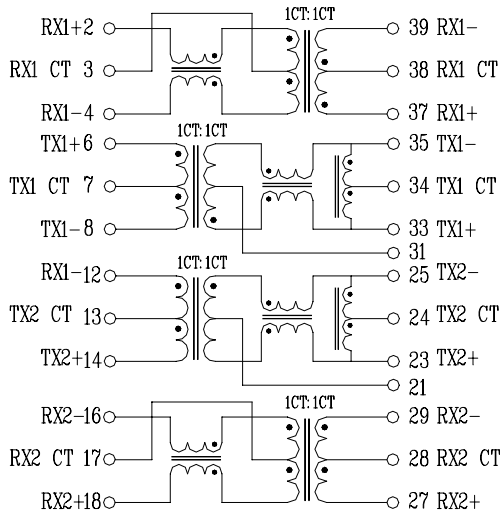
Feature



- 40-PIN SMD Package designed to meet IEEE 802.3 & IR requirement .
- Operating Temperature range: 0°C to +70°C.
- Storage temperature range: -25°C to +125°C.

Electrical Specifications @ 25°C										
Part Number	Turns Ratio (±3%)		OCL (uH Min) @ 100KHz/0.1Vrms with 8mA/DC Bias		C _{w/w} (pF Max)	L.L (uH Max)	Rise Time (n s Typ)	HI-POT (Vrms)		
	TX	RX								
40ST1021D	1CT:1CT	1CT:1CT	350		20	0.4	2.5	1500		
Continue										
Part Number	Insertion Loss (dB Max)	Return Loss (dB Min)				Cross talk (dB Min)		DCMR (dB Min) TX/RX		
		0.3-100 MHz	1-30MHz	40-50MHz	60-80MHz	0.3-60MHz	60-100MHz	30MHz	60MHz	200MHz
40ST1021D	-1.15	-18	-14	-12	-40	-35	-40/-37	-33/-28	-25/-25	

Schematic



Mechanical

