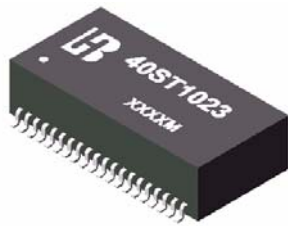


40 PIN SMD ETHERNET 10/100 BASE-TX TWO PORT TRANSFORMER

P/N: 40ST1023 DATA SHEET

Feature



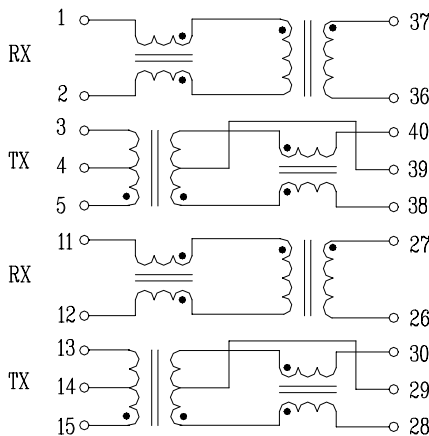
- IEEE 802.3 Ethernet compatible, 100 BASE-TX.
- Surface mountable.
- Design for multiport repeater and Ethernet switching Hub application.
- Customer designs available for specific application.
- Operating temperature range : 0°C to +70°C.
- Storage temperature range: -25°C to +125°C.

Electrical Specifications @ 25°C

Part Number	Turns Ratio (±5%)		OCL(μ H Min) @100HKz/0.1Vrms with 8mA DC Bias	CMR (dB Min)		Rise Time (ns TYP)	HI-POT (Vrms)
	TX	RX		0.3-60MHz			
40ST1023	1CT:1CT	1:1	350	-30		2.5	1500

Part Number	Insertion Loss (dB Max)	Return Loss (dB Min)			Cross Talk (dB Min)				DCMR (dB Min)	
		0.3-100MHz	0.3-30 MHz	30-60 MHz	60-80 MHz	1 MHz	30 MHz	60 MHz	100 MHz	1-60MHz
40ST1023	-1.15	-16	-12	-10	-65	-50	-40	-30	-37	-25

Schematic



Mechanical

