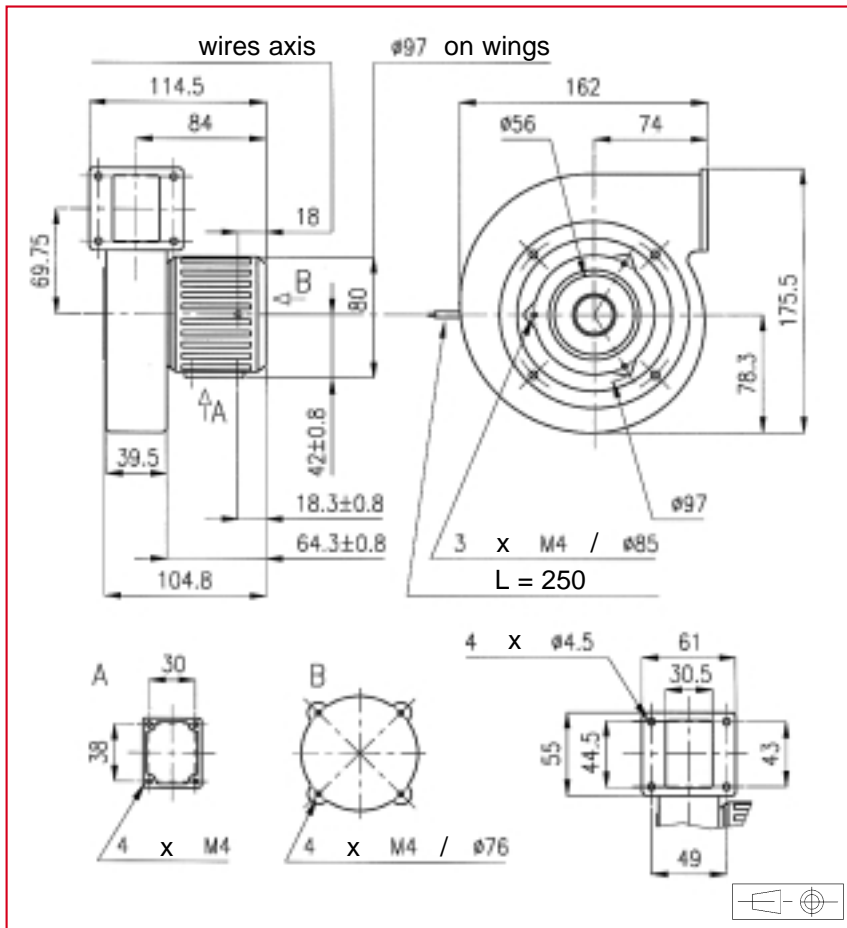


# 162 x 175,5 x 114,5 mm

# ETRI®

AC Centrifugal Blowers

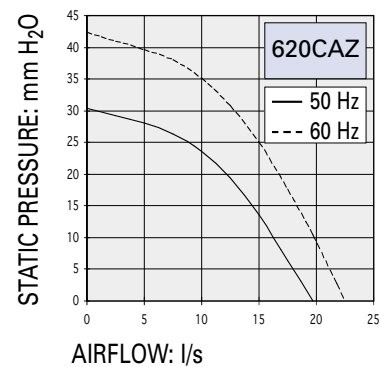


### Approvals

GAM T1 LISTED

### Life expectancy

L-10 LIFE AT 40°C:  
25 000 hours



### AC Motor

Housing material: aluminium  
Wheel material: plastic  
Weight: 2 kg  
Bearing system: ball bearings

Connection: flying leads

**Available with:**

Part number	Nominal voltage	Airflow	Noise level	Nominal speed	Frequency	Phases	Capacitor (not included)	Input power	Nominal current	Starting current	Operating temperature	
	V										I/s	dB(A)
620CAZ016DC13	220	20	63	2850	50	3		15	70	240	- 10	70
	380	20	63	2850	50	3		15	40	140	- 10	70
	220	23	60	3300	60	3		19	70	220	- 10	70
	380	23	60	3300	60	3		19	40	130	- 10	70
	220	20	63	2850	50	1	1,47	17	75	220	- 10	70
	380	20	63	2850	50	1	0,47	17	45	130	- 10	70
	220	23	60	3300	60	1	1,47	24	105	210	- 10	70
	380	23	60	3300	60	1	0,47	24	60	125	- 10	70

### Additional versions:

Salt spray protected - shock and vibration protected - marine specifications - wide temperature range

### Accessories:

See pages: 157, 160 and 163