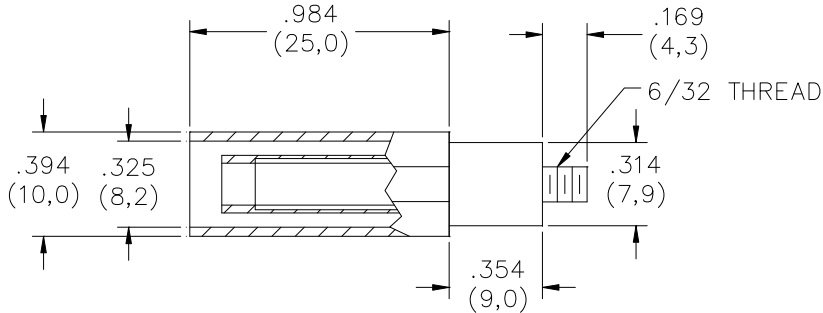


## Model 6720 Adapter, 6/32 Terminal Strip to Standard Sheath Banana Plug



### Features:

- ✓ Adapter provides an easy and quick banana jack connection by replacing the screw in a terminal strip.
- ✓ Allows a standard sheathed banana plug / patch cord to securely connect to a terminal strip.
- ✓ Helps to avoid accidental arc-over by eliminating the usage of alligator clips, or test probe “slip offs” during measurement applications.
- ✓ Ideal for routine measurements.

### Materials:

|              |                     |
|--------------|---------------------|
| Banana Jack: | Nickel Plated Brass |
| Insulation:  | Nylon 6             |

### Ratings:

|              |  |
|--------------|--|
| Voltage:     | 600 Vrms; For <i>CE compliance</i> : not intended for hand held use at voltage above 33 Vrms / 70 Vdc. |
| Current:     | 20 A   |
| Temperature: | -10 to +55 C   |
| Torque:      | 7 In/Lb  |

### Ordering Information:

|        |       |
|--------|-------|
| 6720-0 | Black |
| 6720-2 | Red   |

All dimensions are in inches. Tolerances (except noted): .xx = ±.02" (.51 mm), .xxx = ±.005" (.127 mm).  
All specifications are to the latest revisions. Specifications are subject to change without notice.  
Registered trademarks are the property of their respective companies. Made in USA

Sales: 800-490-2361 Fax: 425-446-5844 Technical Assistance: [technicalsupport@pomonatest.com](mailto:technicalsupport@pomonatest.com)  
For “Where to Buy” information, visit the Pomona web site at [www.pomonaelectronics.com](http://www.pomonaelectronics.com)