



Spec. No.	PS-ND-0711
Rev.	A

PRODUCT SPECIFICATION

Model No : CSS-1018A9/1019A9

Descriptions:

- 1.0 Inch Single Digit Display
- Emitting Color : Super Bright Amber



CUSTOMER APPROVED	APPROVED BY	CHECKED BY	PREPARED BY
SIGNATURES			陳新強

CHINA SEMICONDUCTOR CORPORATION
Address:2FL. NO.909,Chung-Cheng Road,
Chung-Ho City Taipei Hsien,Taiwan.

Tel:886-2-2223-9696
Fax:886-2-2223-9377

OPTO PLUS TECHNOLOGIES CO.,LTD
Address:696 Shun jiang Rd.,Ji Shan St.Shaoxing,
ZheJiang,China

Tel:86-0575-8623888
Fax:86-0575-8623112



Spec. No.	PS-ND-0711
Rev.	A

Model No : CSS-1018A9/1019A9

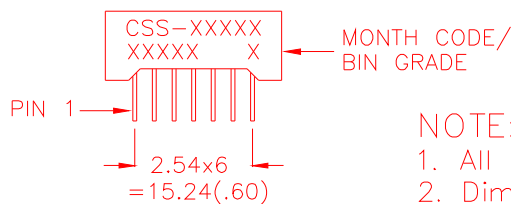
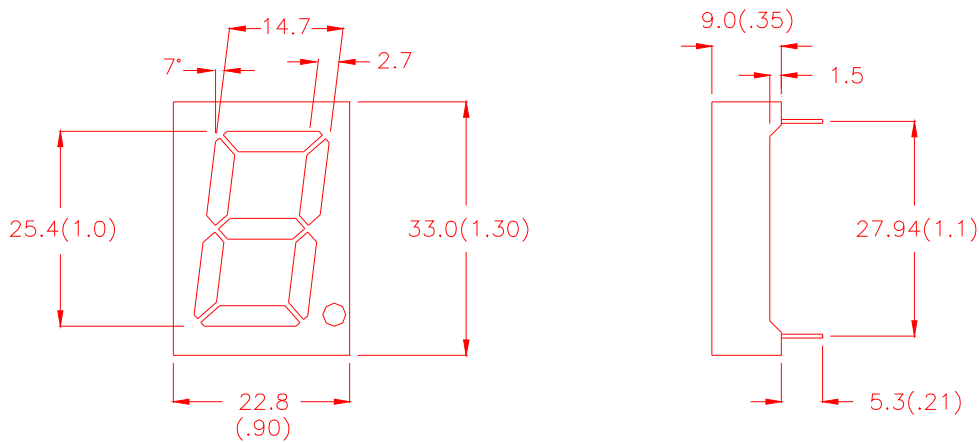
Features -

1. 1.0 inch (25.4mm) digit height.
2. Case mold type.
3. RoHs compliant.
4. Low power consumption.
5. ESD>1KV(HBM)
6. Easy mounting on P.C. board or socket.

Device Selection Guide -

Part No.	Chip		Description
	Material	Emitted Color	
CSS-1018A9	AlGaInP	Super Bright Amber	Common Anode
CSS-1019A9	AlGaInP	Super Bright Amber	Common Cathode

Mechanical Dimensions -



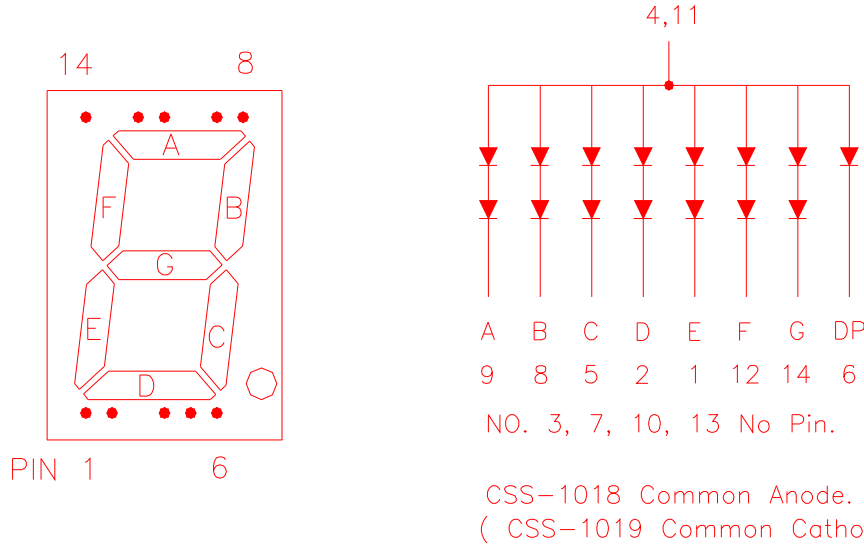
NOTE:

1. All pins are $\phi 0.5(.02)$.
2. Dimension in millimeter (inch), and tolerance is $\pm 0.25 (.01)$ unless otherwise noted.



Model No : CSS-1018A9/1019A9

Internal Circuit Diagrams -



Absolute Maximum Rating -

(Ta=25°C)

Parameter	Symbol	Rating	Unit
Power Dissipation Per Dice	Pd	75	mW
Continuous Forward Current Per Dice	IAF	25	mA
Peak Current Per Dice	IPF	90	mA
Derating Linear From 25°C Per Dice	-	0.33	mA/°C
Reverse Voltage Per Dice	VR	5	V
Operating Temp.	Topr	-35 ~ +85	°C
Storage Temp.	Tstg	-35 ~ +85	°C
Solder temperature 1/16 inch below seating plane for 3 seconds at 260°C			



Model No : CSS-1018A9/1019A9

■ Electro-optical Characteristics -

(Ta=25°C)

Parameter	Symbol	Min.	Typ.	Max.	Unit	Condition
Forward Voltage Per Segment	VF	-	4.0(2.0)	5.6(2.8)	V	If=20mA
Luminous Intensity Per Segment	Iv	-	45	-	ucd	If=20mA
Peak Emission Wavelength	λ_p	-	612	-	nm	If=20mA
Dominant Wavelength	λ_d	-	606	-	nm	If=20mA
Spectrum Radiation Bandwidth	$\Delta \lambda$	-	20	-	nm	If=20mA
Reverse Current	IR	-	-	100	μA	VR=10V
Luminous Intensity Matching Ratio	IV-m	-	-	2:1	-	If=10mA



Model No : CSS-1018A9/1019A9

Typical Electrical / Optical Characteristics Curves -

(Ta = 25°C Unless Otherwise Noted)

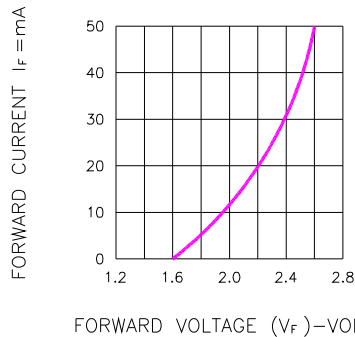


Fig.1 FORWARD CURRENT VS. FORWARD VOLTAGE

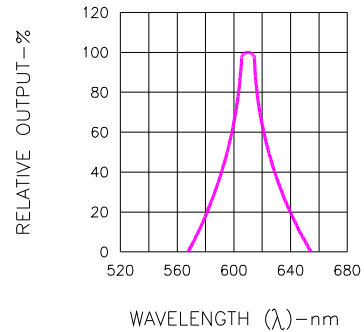


Fig.2 SPECTRAL RESPONSE

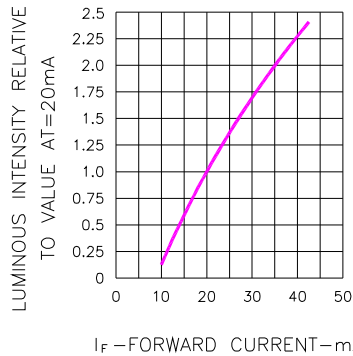


Fig.3 RELATIVE LUMINOUS INTENSITY VS. FORWARD CURRENT

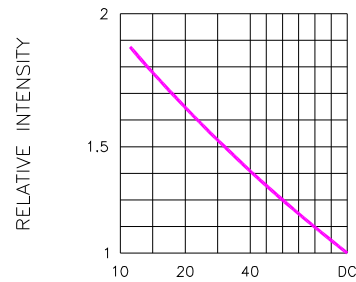


Fig.5 LUMINOUS INTENSITY VS. DUTY CYCLE

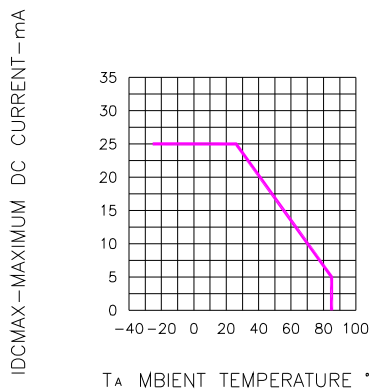


Fig.4 MAXIMUM ALLOWABLE DC CURRENT PER SEGMENT VS. A FUNCTION OF AMBIENT TEMPERATURE

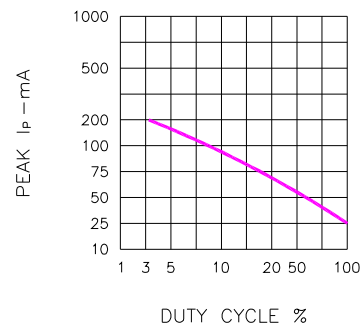


Fig.6 MAX PEAK CURRENT VS. DUTY CYCLE % (REFRESH RATE f=1 KHz)

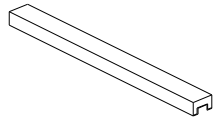


Spec. No.	PS-ND-0711
Rev.	A

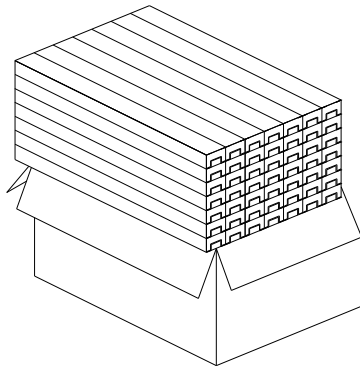
Model No : CSS-1018A9/1019A9

■ Package Dimensions

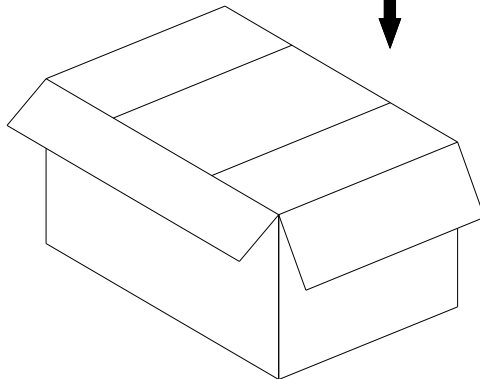
Single Digit Display
Dice Code
CSS-101XX



20 PCS per tube



49 Tubes per inner box
Total Q'TY: 980 pcs



3 Inner boxes per carton.
Total Q'TY: 2940 pcs

Box size:
L54xW48.5xH30.5cm

Note: The specifications are subject to change without notice. Please contact us for updated information