

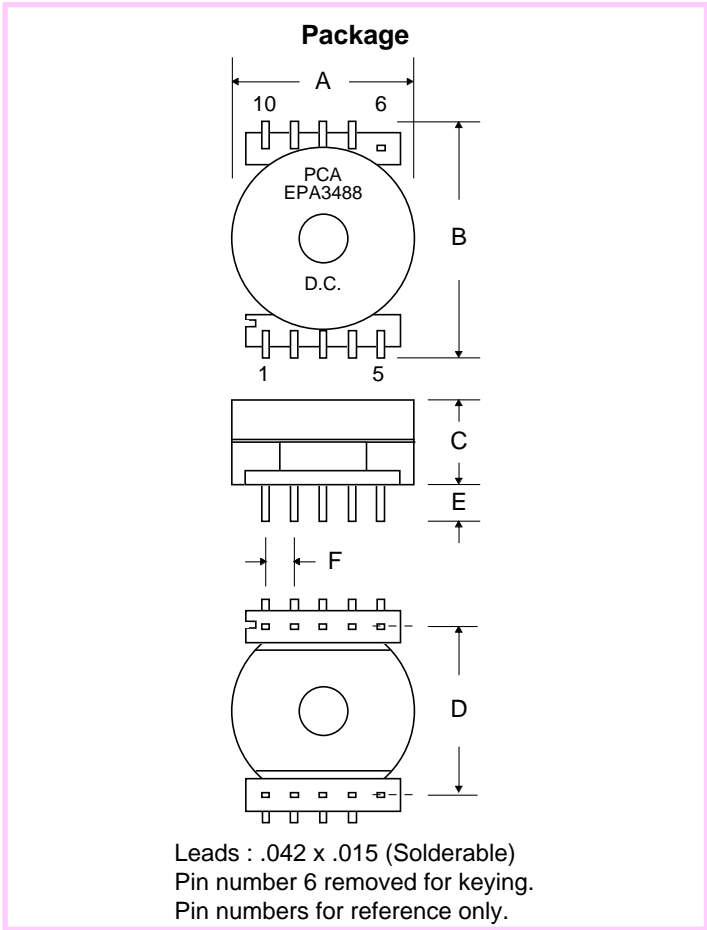
EPA3488



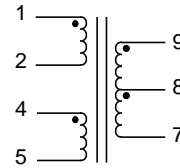
- Applications with 2B1Q and 4B3T Coding •

Electrical Parameters @ 25° C

Inductance (mH)	Operating Temperature	Hipot (Vrms Min.)	Ratio (± 3%)	DCR (Ω Max.)		IDC (mA)
				Line Side	Chip Side	
Line Side		Between Line Side and Chip Side		Line Side	Chip Side	
26.5 - 29.5	-40°C to +85°C	2500	1.25:1	13	7.5	80



Schematic



Dimensions

Dim.	(Inches)			(millimeters)		
	Min.	Max.	Nom.	Min.	Max.	Nom.
A	---	.950	.	---	24.13	.
B	---	1.050	.	---	26.67	.
C	---	.500	.	---	12.70	.
D	.795	.805	.	20.19	20.45	.
E	.160	.220	.	4.06	5.59	.
F	.145	.155	.	3.68	3.94	.