

EPA3582 & EPA3582-LF

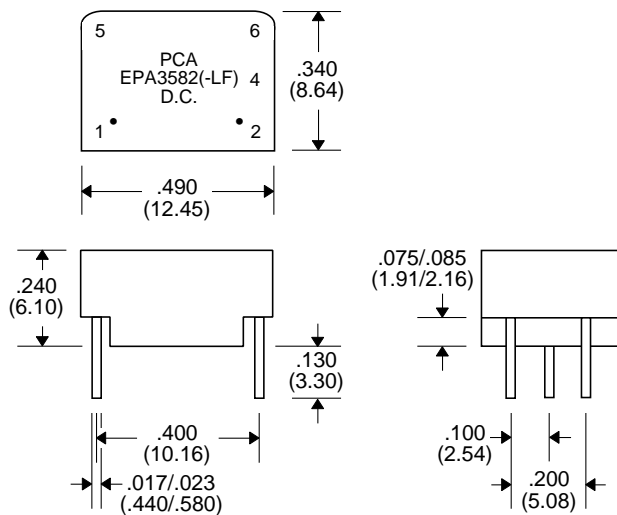


- Through Hole Package
- 3000 Vrms Isolation with Reinforced Insulation
- Operating Temperature Range : -40°C to +85°C
- Add "-LF" after part number for Lead Free

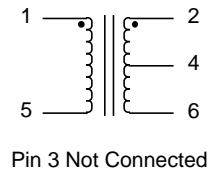
Electrical Parameters @ 25°C

Primary Inductance (μ H Min.)	Leakage Inductance (μ H Max.)	Interwinding Capacitance (pF Max.)	Turns Ratio (\pm 5%)	Primary DCR (Max.)
250	.15	5	1:1CT	.35

Package



Schematic



Notes :	EPBA3582	EPA3582-LF
1. Lead Finish	SnPb	Hot Tin Dip (Sn)
2. Peak Solder Rating (for wave solder process Only)	225°C	260°C
4. Weight	TBD grams	TBD grams
5. Packaging Information (Tube)	TBD pcs / tube	TBD pcs / tube

Unless Otherwise Specified Dimensions are in Inches /mm \pm .010 / .25