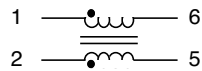


- 500 Vrms Isolation •
- 100 mA max rated DC current on both coils •

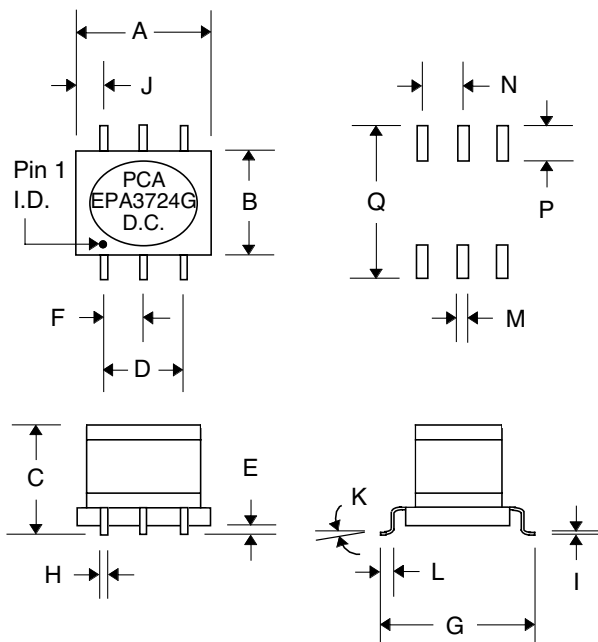
Electrical Parameters @ 25° C

| Inductance ($\mu\text{H} \pm 7\%$) (@ 0 DC) | Inductance ($\mu\text{H Min.}$) (@100mA DC bias) | Turns Ratio | DCR (Ω Max) |
|-----------------------------------------------------|-----------------------------------------------------------|----------------|------------------------|
| @ 1 KHz 0.1 Vrms | @ 1 KHz 0.1 Vrms | | |
| 300 | 275 | 1:1 | 5.8 |
| Pins 1-6 | Pins 1-6 | Pins 1-6 : 2-5 | Each Winding |

Schematic



Package



Dimensions

| Dim. | (Inches) | | | (Millimeters) | | |
|------|----------|------|------|---------------|------|------|
| | Min. | Max. | Nom. | Min. | Max. | Nom. |
| A | .210 | .230 | .220 | 5.33 | 5.84 | 5.59 |
| B | .200 | .220 | .210 | 5.08 | 5.59 | 5.33 |
| C | .240 | .260 | .250 | 6.10 | 6.60 | 6.35 |
| D | --- | --- | .150 | --- | --- | 3.81 |
| E | .005 | .015 | .010 | .127 | .381 | .250 |
| F | --- | --- | .075 | --- | --- | 1.90 |
| G | .305 | .325 | .315 | 7.75 | 8.25 | 8.00 |
| H | .016 | .022 | .019 | .410 | .559 | .480 |
| I | --- | --- | .010 | --- | --- | .250 |
| J | --- | --- | .035 | --- | --- | .890 |
| K | 0° | 8° | 4° | 0° | 8° | 4° |
| L | .025 | .045 | .035 | .636 | 1.14 | .890 |
| M | --- | --- | .045 | --- | --- | 1.14 |
| N | --- | --- | .075 | --- | --- | 1.90 |
| P | --- | --- | .060 | --- | --- | 1.52 |
| Q | --- | --- | .330 | --- | --- | 8.38 |