

Ceramic Filters Search-Stop Signal Detection

Ceramic Filters 450kHz Search-Stop Signal Detection (Murata BFULA Compatible)

▶ Preview

Token ceramic filters 450kHz search-stop signal detection LZU series are specifically designed for signal detection circuitry used in applications such as that found in the search-stop functions of electronically tuned radios. Center frequency is also available in LTZ series a range of 450kHz ~ 470kHz.

The LZU series are narrow bandwidth filters. This filter is used in the application which detects the carrier peak with a narrow bandwidth amplifier, or an electronic tuner as a stop signal detector.

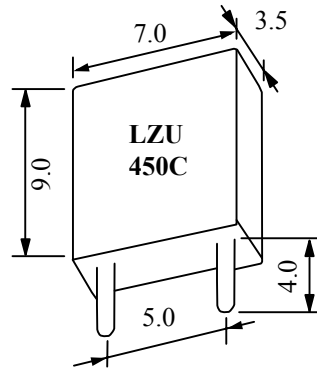
The LZU series can be customized designs and tighter tolerances available on request and conform to the RoHS directive.

Custom parts are available on request. Token will also produce devices outside these specifications to meet specific customer requirements, please contact our sales for more information.

▶ Benefit Features

- Center frequency: 455kHz. (470kHz is also available.)
- Most suitable for IC Station Detectors (SD).
- Resonant Resistance (max): 20Ω ~ 30Ω.
- LZU Dimensions: (7.0 x 9.0 x 3.5 mm).
- for IF signal detection.

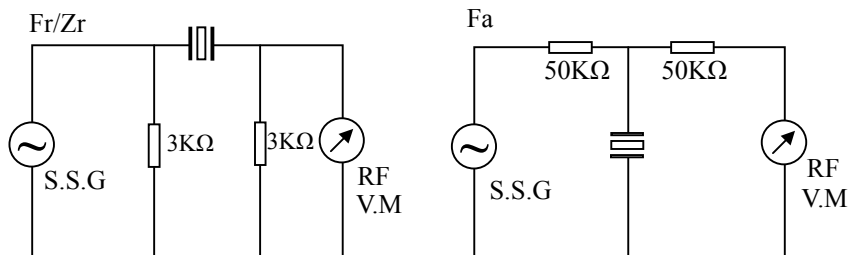
Dimensions



Technical Characteristics

Part Number	Resonant Frequency (kHz)	Resonant Resistance (Ω) (max)	Band Width(fa-fr) (kHz)	Application
LZU450C	450 \pm 1.0	20	14 \pm 2	IF signal detection
LZU450C4N	450 \pm 0.8	30	9 \pm 2	
LZU450K3	450 \pm 1.0	30	27.5 \pm 4.5	

Technical Test Circuit



How to Order

LZU450C

P

②

① Part Number

Back to 1st Page - Ceramic Filters 450kHz Search-Stop Signal Detection - LZU