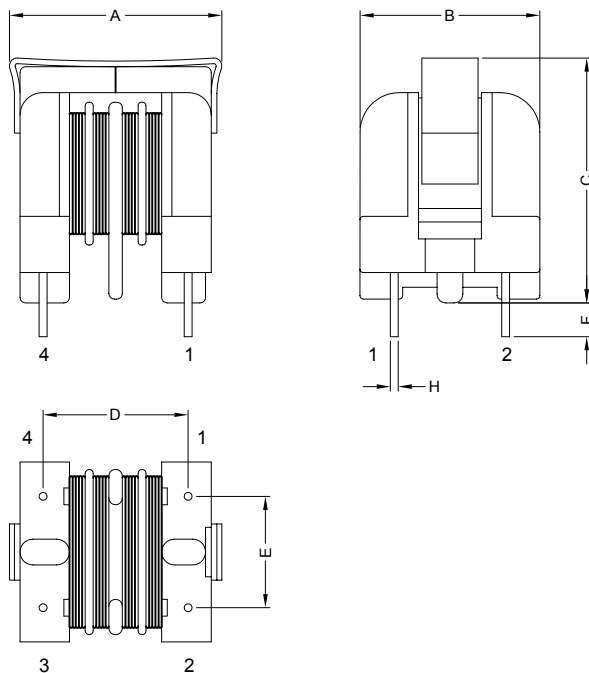


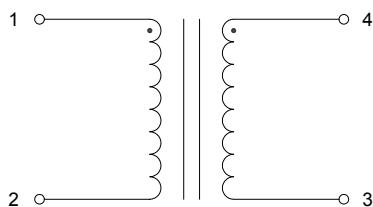
1. CONFIGURATION & DIMENSIONS :



Unit:m/m

A	B	C	D	E	F	H
17.50 Max.	16.50 Max.	21.50 Max.	13.00±0.50	10.00±0.50	3.30±0.30	Ø0.70 Ref.

2. SCHEMATIC :



3. SCHEMATIC :

- a) Bobbin : Phenolic
- b) Core : UU10.5
- c) Wire : Polyurethane DD (2UEW)
- d) Varnish : Synthite
- e) Clip : UU10.5



RoHS Compliant

NOTE : Specifications subject to change without notice. Please check our website for latest information.

03.06.2008



SUPERWORLD ELECTRONICS (S) PTE LTD

HIGH FREQUENCY TRANSFORMER

SUUB0VTF-50537

4. GENERAL SPECIFICATION :

- a) Operating Temperature Range : -10°C to +85°C
- b) Insulation Class : A (105°C)

5. ELECTRICAL CHARACTERISTICS :

Part No.	Inductance (L)	Conditions	Test Frequency	DCR @ 25°C
SUUB0VTF-50537	L : (1-2) = 10mH Min.	-	1KHz 1V	(1-2) = 2.0Ω Max.
	L : (4-3) = 10mH Min.	-	1KHz 1V	(4-3) = 2.0Ω Max.



RoHS Compliant

NOTE : Specifications subject to change without notice. Please check our website for latest information.

03.06.2008



SUPERWORLD ELECTRONICS (S) PTE LTD

PG. 2