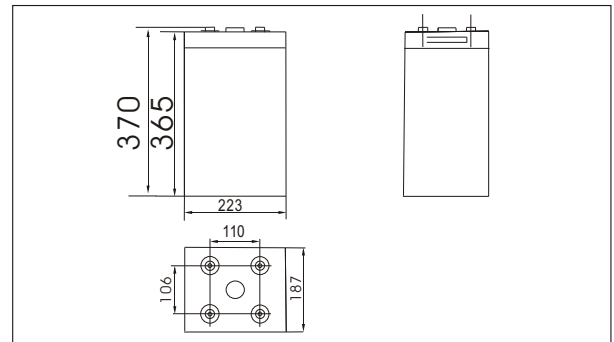




SWR25500(2V550AH)



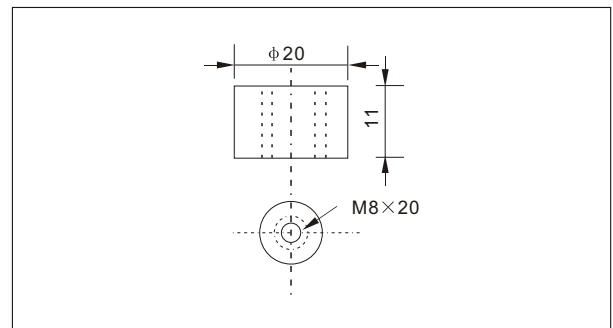
● Outer dimensions (mm)



● Specifications

Nominal Voltage		2 V
Rated capacity (10 hour rate)		550 Ah
Dimensions	Total Height	370 mm (14.57 inches)
	Height	365 mm (14.37 inches)
	Length	223 mm (8.78 inches)
	Width	187 mm (7.36 inches)
Weight Approx		38.5Kg (85.08lbs)

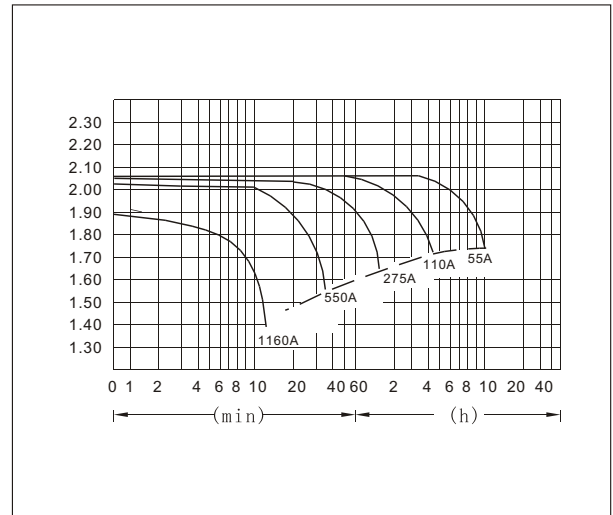
● Terminal Type (mm)



● Characteristics

Capacity 25°C(77°F)	10 hour rate(55 A)	550 AH
	5 hour rate(88 A)	440 AH
	1 hour rate(330 A)	330 AH
Internal Resistance	Full charged Battery at 25°C(77°F)	Approx 0.36 m Ω
Capacity affected by Temperature (10hour rate)	40°C(104°F)	102%
	25°C(77°F)	100%
	0°C(32°F)	85%
	-15°C(5°F)	65%
Self-Discharge at 25°C(77°F)	Capacity after 3 month storage	91%
	Capacity after 6 month storage	82%
	Capacity after 12 month storage	64%
Terminal		T36
Charge (constant Voltage)	Cycle	Initial Charging Current less than 220 A Voltage 2.35-2.40V
	Float	Voltage 2.25-2.30V

● Discharge Curves 25°C(77°F)



Constant Current(Amp) and Constant Power(Watt) Discharge Table at 25°C(77°F)

Time		5min	10min	15min	30min	1h	2h	3h	4h	5h	8h	10h	20h
1.60V	A	1762	1161	936	627	330	193	141	110	91	64	58	31
	W	3030	2066	1672	1124	594	352	262	206	172	123	111	60
1.70V	A	1706	1047	881	600	310	184	138	107	89	63	57	30
	W	3037	1949	1643	1122	585	353	265	208	173	122	111	59
1.75V	A	1651	937	771	561	300	179	134	106	88	62	56	30
	W	3004	1776	1466	1076	580	347	261	206	172	122	110	60
1.80V	A	1591	883	716	517	290	175	131	104	86	61	55	30
	W	2974	1697	1375	998	563	341	257	205	169	119	109	59
1.85V	A	1537	827	661	462	281	171	127	101	84	59	52	28
	W	2905	1596	1283	901	550	336	250	201	166	117	105	57