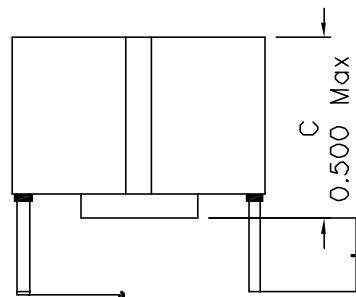
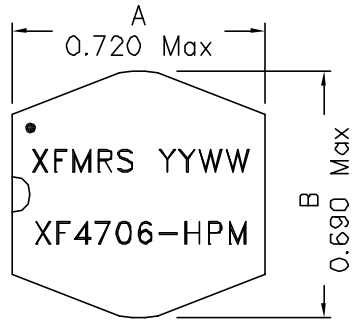
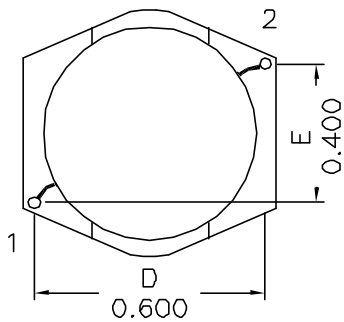


### 1. Mechanical Dimensions:

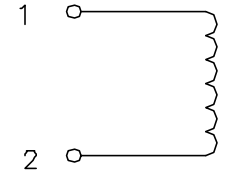


±0.005



(BOTTOM VIEW)

### 2. Schematic:



### 3. Electrical Specifications: @25°C

OCL: 480uH±20% @10KHz 0.1V, 0Adc

OCL: 470uH Typ @10KHz 0.1V, 0.9Adc

DC Resistance: 1.26 Ohms Max

#### Notes:

1. Solderability: Leads shall meet MIL-STD-202, Method 208D for solderability.
2. Flammability: UL94V-0
3. ASTM oxygen index: > 28%
4. Insulation System: Class F 155°C. UL file E151556
5. Operating Temperature Range: All listed parameters are to be within tolerance from -40°C to +85°C
6. Storage Temperature Range: -55°C to +125°C
7. Aqueous wash compatible

DOC REV: B/1

**PROPRIETARY**

Document is the property of XFMRS Group & is not allowed to be duplicated without authorization.

<b>XFMRS Inc</b>		Title: TOROIDAL INDUCTOR	
UNLESS OTHERWISE SPECIFIED TOLERANCES: .xxx ±0.010	P/N: XF4706-HPM		REV B
	DWN.	李清儿	May-28-04
Dimensions in INCH	CHK.	孙悦	May-28-04
SHEET 1 OF 1	APP.	BW	May-28-04