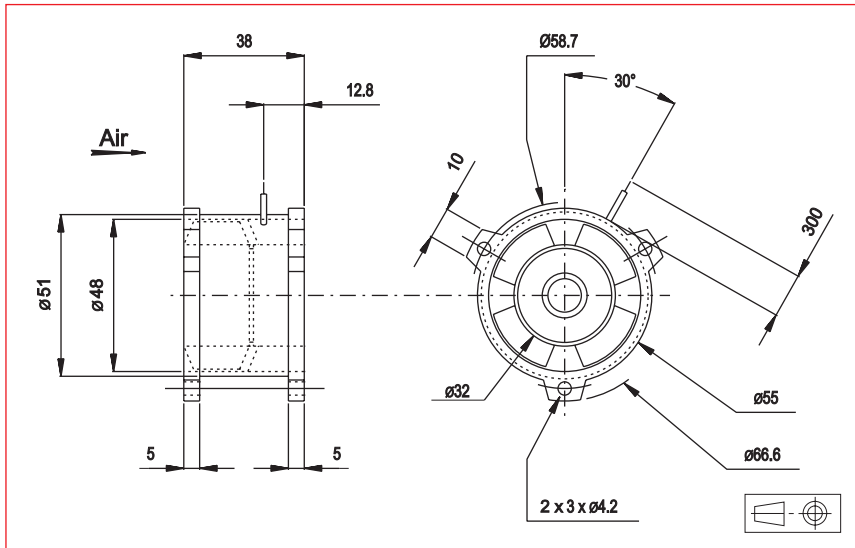


**Ø 2,622" x 1,496"    Ø 66,6 x 38 mm**

**Series  
106Z**

**ETRI®**

400 Hz Fans



**Approvals**

NATO codification

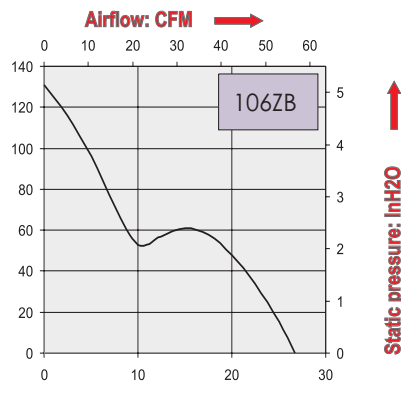
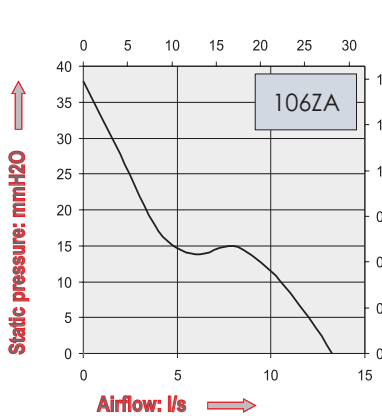
**Life expectancy**

L-10 LIFE AT 40°C:  
25 000 hours

**400 Hz Motor**

Housing material: aluminium  
Impeller material: aluminium  
Weight: 170 g  
Bearing system: ball bearings

Connection: flying leads



Part Number	Nominal voltage	Airflow	Noise level	Nominal speed	Phases	Capacitor (not included)	Input power	Nominal Current	Starting Current	Operating temperature	
	V	l/s	dB(A)	RPM		µF	W	mA	mA	Min.°C	Max.°C
106ZA0562C13	115	13	51	11500	3	0,47	15	160	350	-10	70
	115	13	51	11500	1		15	180	350	-10	70
106ZA0560C13	200	13	51	11500	3	0,15	15	95	205	-10	70
	200	13	51	11500	1		15	105	205	-10	70
106ZB0562C13	115	27	72	22700	3	0,32	42	335	1250	-10	70
106ZB0560C13	200	27	72	22700	3		42	195	720	-10	70
	200	27	72	22700	1		43	215	455	-10	70

**Additional versions:**

Salt spray protected - Shock and vibration protected - Marine specifications  
Wide temperature range

**Accessories:**

Refer to Accessories leaflet