

## B-13/14-1250(C)-T3-SSC



## Features

- Diplexer Single Mode Single Fiber 1x9 SC Receptacle Connector
- Wavelength Tx 1310 nm/Rx 1490 nm
- IEEE 802.3 Compliant
- Single +3.3V power Supply
- PECL/LVPECL Differential Inputs and Output [B-13/14-1250-T3-SSC]
- TTL/LVTTL Signal Detection Output Optional [B-13/14-1250C-T3-SSC]
- Wave Solderable and Aqueous Washable
- LED Multisourced 1x9 Transceiver Interchangeable
- Class 1 Laser Int. Safety Standard IEC 825 Compliant
- Uncooled Laser diode with MQW structure
- Complies with Telcordia (Bellcore) GR-468-CORE
- RoHS compliance available

## Absolute Maximum Rating

Parameter	Symbol	Min.	Max.	Unit	Note
Power Supply Voltage	$V_{CC}$	0	3.6	V	
Input Voltage	-	0	$V_{CC}$	V	
Output Current	$I_{out}$	-	30	mA	
Soldering Temperature	-	-	260	°C	10 seconds on leads only
Storage Temperature	$T_{stg}$	-40	85	°C	

## Recommended Operating Condition

Parameter	Symbol	Min.	Typ.	Max.	Unit
Power Supply Voltage	$V_{CC}$	3.1	3.3	3.5	V
Operating Temperature (Case)	$T_{opr}$	0	-	70	°C
Operating Temperature (Case)	$T_{opr}$	-40	-	85	°C
Data Rate	-	-	1250	-	Mbps

## Transmitter Specifications (Optical)

Parameter	Symbol	Min	Typical	Max	Unit	Notes
Optical Transmit Power	$P_o$	-10	-	-3	dBm	Output power is coupled into a 9/125 $\mu$ m single mode fiber
Output center Wavelength	$\lambda$	1260	1310	1360	nm	
Output Spectrum Width	$\Delta\lambda$	-	-	3	nm	RMS ( $\sigma$ )
Extinction Ratio	ER	9	-	-	dB	
Output Eye		Compliant with IEEE 802.3				
Optical Rise Time	$T_r$	-	-	0.26	ns	20% to 80% Values
Optical Fall Time	$T_f$	-	-	0.26	ns	20% to 80% Values
Optical Isolation	-	30	-	-	dB	Tx:1310 nm/ Rx:1490 nm
Relative Intensity Noise	RIN	-	-	-116	dB/Hz	
Total Jitter	TJ	-	-	0.27	ns	Measured with 27-1 PRBS

## B-13/14-1250(C)-T3-SSC

## Transmitter Specifications (Electrical)

Parameter	Symbol	Min	Typical	Max	Unit	Notes
Power Supply Current	$I_{CC}$	-	-	160	mA	Maximum current is specified at $V_{CC}$ = Maximum @ maximum temperature
Data Input Current-Low	$I_{IL}$	-350	-	-	$\mu$ A	
Data Input Current-High	$I_{IH}$	-	-	350	$\mu$ A	
Differential Input Voltage	$V_{IH}-V_{IL}$	300	-	-	mV	
Data Input Voltage-Low	$V_{IL}-V_{CC}$	-2.0	-	-1.58	V	These inputs are compatible with 10K, 10KH and 100K ECL and PECL inputs
Data Input Voltage-High	$V_{IH}-V_{CC}$	-1.1	-	-0.74	V	

## Receiver Specifications (Optical)

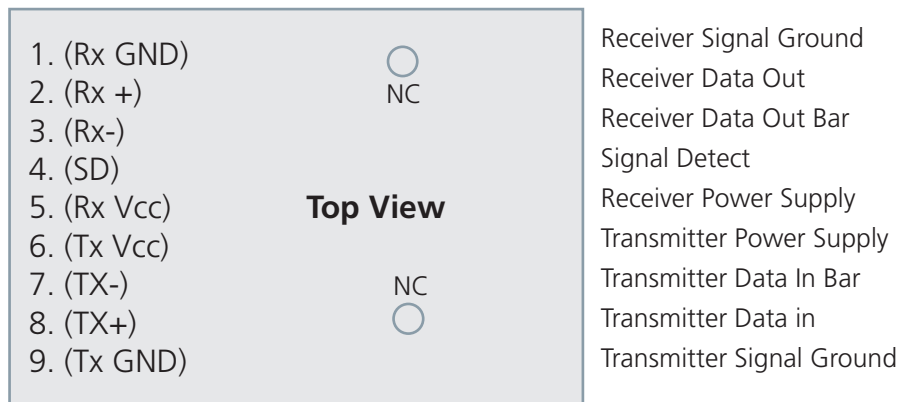
Parameter	Symbol	Min	Typical	Max	Unit	Notes
Sensitivity	-	-	-	-22	dBm	Measured with 27-1 PRBS, BER = $10^{-12}$
Maximum Input Power	$P_{in}$	0	-	-	dBm	
Signal Detect-Asserted	$P_a$	-	-	-22	dBm	Measured on transition: low to high(Note1)
Signal Detect-Deasserted	$P_d$	-38	-	-	dBm	Measured on transition: high to low(Note1)
Signal Detect-Hysteresis		1.0	-	-	dB	
Cross Talk	-	-	-	-33	dB	
Wavelength of Operation		1470	-	1600	nm	

Note 1: The SD level should be deasserted when fiber disconnected

## Receiver Specifications (Electrical)

Parameter	Symbol	Min	Typical	Max	Unit	Note
Power Supply Current	$I_{CC}$	-	-	100	mA	The current excludes the output load current
Data output Voltage-Low	$V_{OL}-V_{CC}$	-2.0	-	-1.58	V	These outputs are compatible with 10K, 10KH and 100KECL and PECL outputs
Data output Voltage-High	$V_{OH}-V_{CC}$	-1.1	-	-0.74	V	
Signal Detect output Voltage-Low	$V_{SDL}-V_{CC}$	-2.0	-	-1.58	V	B-13/14-1250-T3-SSC
Signal Detect Output Voltage-High	$V_{SDH}-V_{CC}$	-1.1	-	-0.74	V	
Signal Detect output Voltage-Low	$V_{SDL}$	-	-	0.5	V	B-13/14-1250C-T3-SSC
Signal Detect Output Voltage-High	$V_{SDH}$	-20	-	-	V	

Connection Diagram

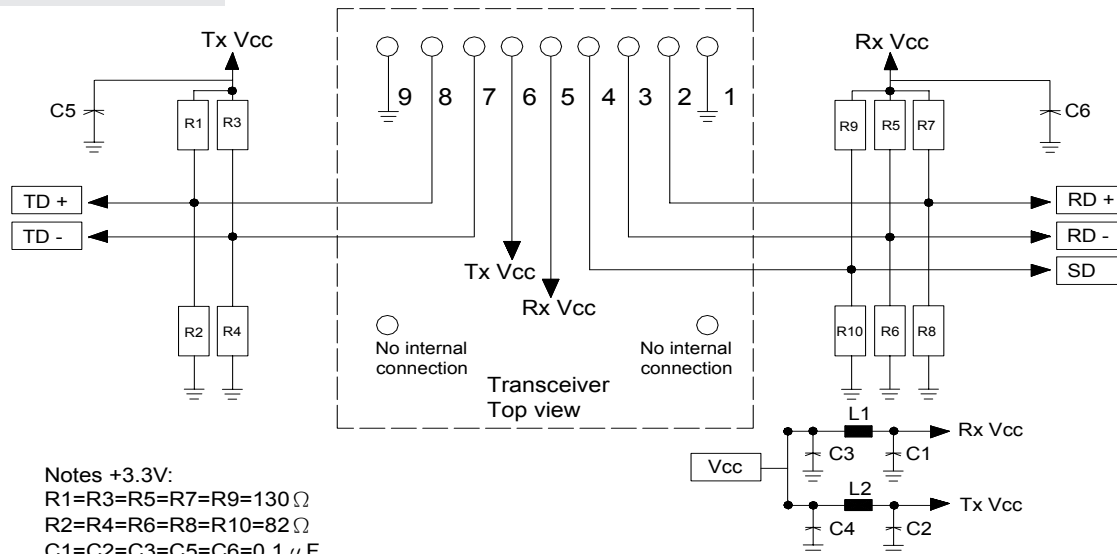


PIN	Symbol	Notes
1	RxGND	Directly connect this pin to the receiver ground plane
2	RD+	See recommended circuit schematic
3	RD-	See recommended circuit schematic
4	SD	Active high on this indicates a received optical signal
5	RxVcc	DC power for the receiver section
6	TxVcc	DC power for the transmitter section
7	TD-	See recommended circuit schematic
8	TD+	See recommended circuit schematic
9	TxGND	Directly connect this pin to the transmitter ground plane

## B-13/14-1250(C)-T3-SSC

### Recommended Circuit Schematic (PECL SD)

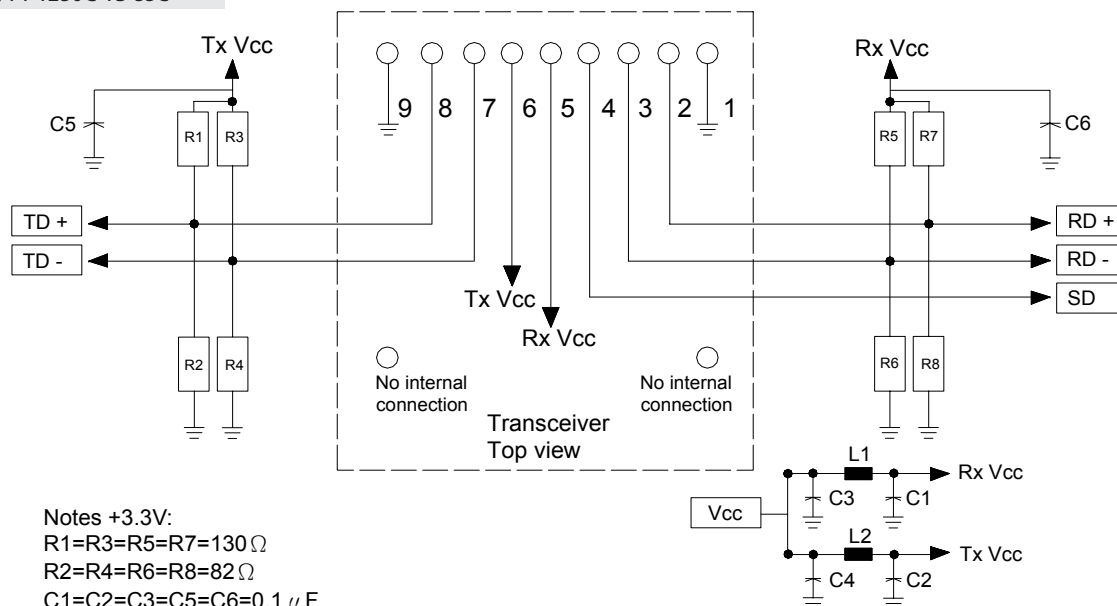
B-13/14-1250-T3-SSC



Notes +3.3V:  
 R1=R3=R5=R7=R9=130 Ω  
 R2=R4=R6=R8=R10=82 Ω  
 C1=C2=C3=C5=C6=0.1 μF  
 C4=10 μF  
 L1=L2=1 μH

### Recommended Circuit Schematic (TTL SD)

B-13/14-1250C-T3-SSC



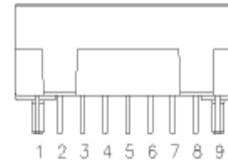
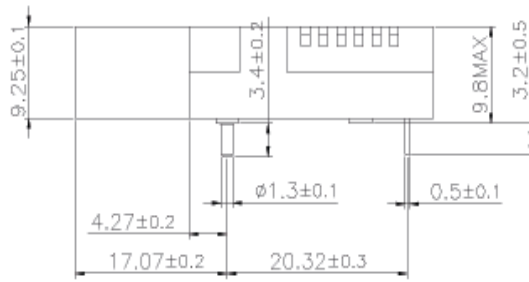
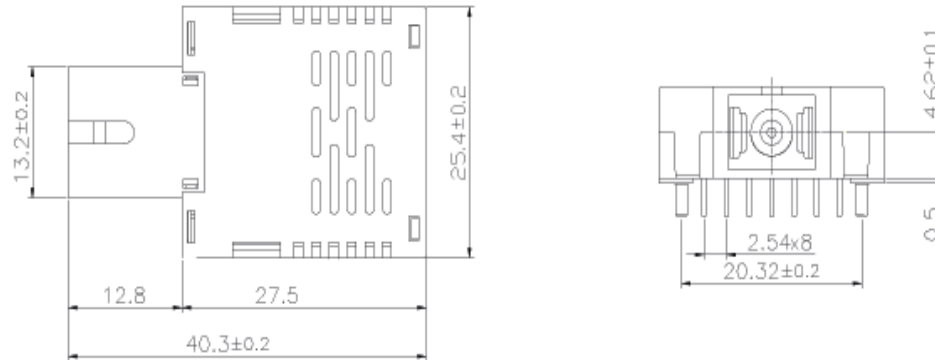
Notes +3.3V:  
 R1=R3=R5=R7=130 Ω  
 R2=R4=R6=R8=82 Ω  
 C1=C2=C3=C5=C6=0.1 μF  
 C4=10 μF  
 L1=L2=1 μH

The split-loaded terminations for ECL signals need to be located at the input of devices receiving those ECL signals.  
 The power supply filtering is required for good EMI performance. Use short tracks from the inductor L1/L2 to the module Rx Vcc.  
 A GND plane under the module is required for good EMI and sensitivity performance.

## B-13/14-1250(C)-T3-SSC

### Package Diagram

B-13/14-1250(C)-T3-SSC



Units in mm

Side View

Rear View

Ordering Information

Available Options:

- B-13/14-1250-T3-SSC-G5
- B-13/14-1250C-T3-SSC-G5
- B-13/14-1250-T3-SSCA-G5
- B-13/14-1250C-T3-SSCA-G5

Part numbering Definition:

**B - 13/14 - 1250(C) - T - S SC Tx Power Temperature -RoHS**

- **Wavelength**
  - Tx Wavelength=1310nm
  - Rx Wavelength=1490nm
- **Communication protocol (1250 Gbps)**
  - 1250= PECL SD Output
  - 1250C= TTL SD Output
- **T = +5 V Transceiver**
  - T3 = +3.3V Transceiver
- **Single mode fiber**
- **Connector options**
- **Tx Power**
  - Blank = -10 to -3 dBm
- **Temperature range**
  - Blank = industrial temperature(0 to 70 °C)
  - A = industrial temperature(-40 to 85 °C)
- **RoHS Compliance options**
  - G5 = RoHS 5/6-compliant product (lead exemption)

## Warnings

**Handling Precautions:** This device is susceptible to damage as a result of electrostatic discharge (ESD). A static free environment is highly recommended. Follow guidelines according to proper ESD procedures.

**Laser Safety:** Radiation emitted by laser devices can be dangerous to human eyes. Avoid eye exposure to direct or indirect radiation.

## Legal Notice

### IMPORTANT NOTICE!

All information contained in this document is subject to change without notice, at LuminentOIC's sole and absolute discretion. LuminentOIC warrants performance of its products to current specifications only in accordance with the company's standard one-year warranty; however, specifications designated as "preliminary" are given to describe components only, and LuminentOIC expressly disclaims any and all warranties for said products, including express, implied, and statutory warranties, warranties of merchantability, fitness for a particular purpose, and non-infringement of proprietary rights. Please refer to the company's Terms and Conditions of Sale for further warranty information.

LuminentOIC assumes no liability for applications assistance, customer product design, software performance, or infringement of patents, services, or intellectual property described herein. No license, either express or implied, is granted under any patent right, copyright, or intellectual property right, and LuminentOIC makes no representations or warranties that the product(s) described herein are free from patent, copyright, or intellectual property rights. Products described in this document are NOT intended for use in implantation or other life support applications where malfunction may result in injury or death to persons. LuminentOIC customers using or selling products for use in such applications do so at their own risk and agree to fully defend and indemnify LuminentOIC for any damages resulting from such use or sale.

THE INFORMATION CONTAINED IN THIS DOCUMENT IS PROVIDED ON AN "AS IS" BASIS. Customer agrees that LuminentOIC is not liable for any actual, consequential, exemplary, or other damages arising directly or indirectly from any use of the information contained in this document. Customer must contact LuminentOIC to obtain the latest version of this publication to verify, before placing any order, that the information contained herein is current.

© LuminentOIC, Inc. 2003  
All rights reserved