

CM75MX-12A

HIGH POWER SWITCHING USE

CM75MX-12A

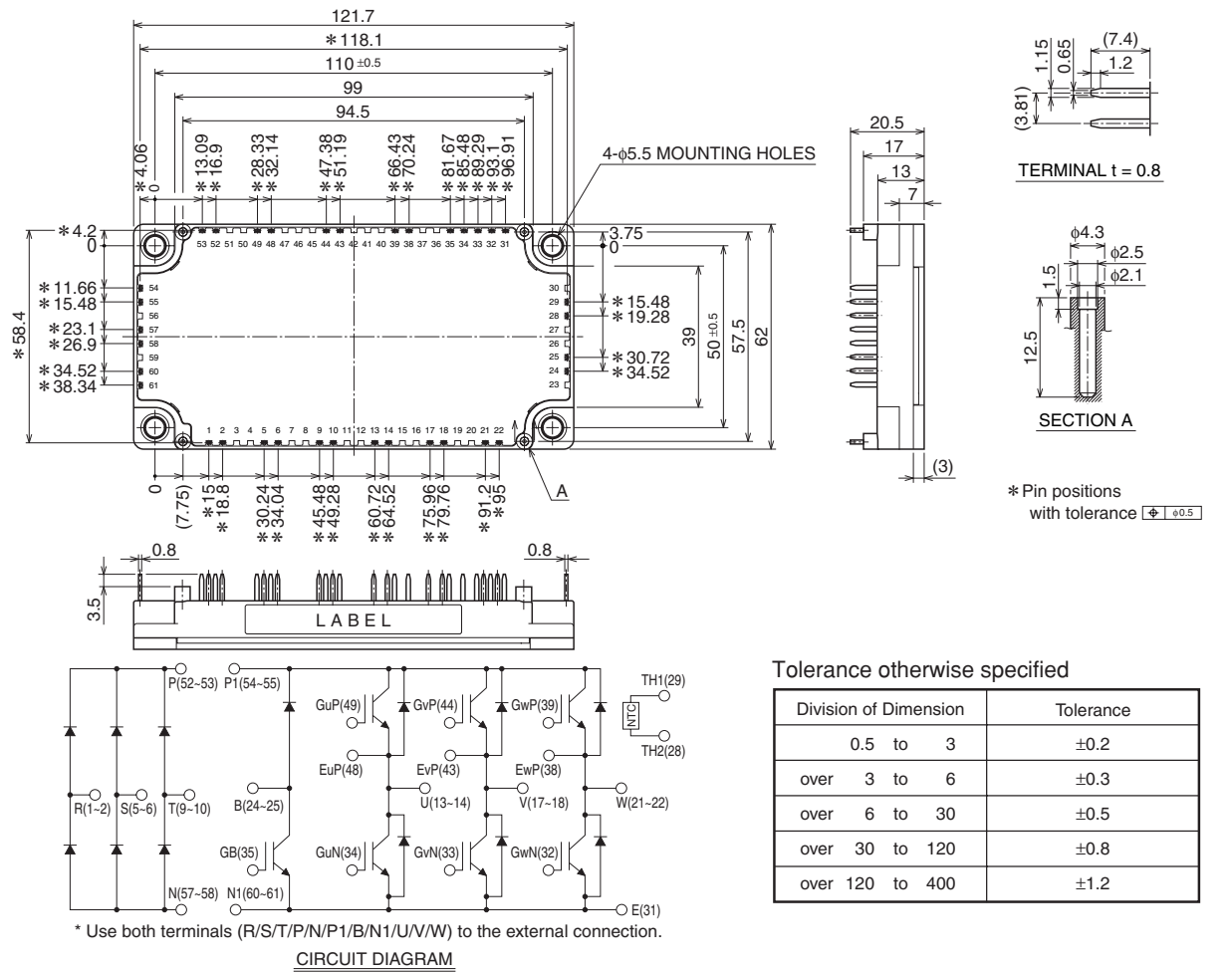


- Ic 75A
- VCES 600V
- CIB (3-phase Converter + 3-phase Inverter + Brake)
- Flatbase Type / Insulated Package / Copper base plate
- RoHS Directive compliant

APPLICATION

General purpose Inverters, Servo Amplifiers

OUTLINE DRAWING & CIRCUIT DIAGRAM



CM75MX-12A

HIGH POWER SWITCHING USE

ABSOLUTE MAXIMUM RATINGS (T_j = 25°C, unless otherwise specified)

INVERTER PART

Symbol	Parameter	Conditions	Rating	Unit
V _{CES}	Collector-emitter voltage	G-E Short	600	V
V _{GES}	Gate-emitter voltage	C-E Short	±20	
I _C	Collector current	DC, T _c = 70°C (Note. 1)	75	A
I _{CRM}		Pulse (Note. 4)	150	
P _C	Maximum collector dissipation	T _c = 25°C (Note. 1, 5)	280	W
I _E (Note.3)	Emitter current	T _c = 25°C (Note. 1)	75	A
I _{ERM} (Note.3)	(Free wheeling diode forward current)	Pulse (Note. 4)	150	

BRAKE PART

Symbol	Parameter	Conditions	Rating	Unit
V _{CES}	Collector-emitter voltage	G-E Short	600	V
V _{GES}	Gate-emitter voltage	C-E Short	±20	
I _C	Collector current	DC, T _c = 97°C (Note. 1)	50	A
I _{CRM}		Pulse (Note. 4)	100	
P _C	Maximum collector dissipation	T _c = 25°C (Note. 1, 5)	280	W
V _{RRM} (Note.3)	Repetitive peak reverse voltage		600	V
I _F (Note.3)	Forward current	T _c = 25°C (Note. 1)	50	A
I _{FRM} (Note.3)		Pulse (Note. 4)	100	

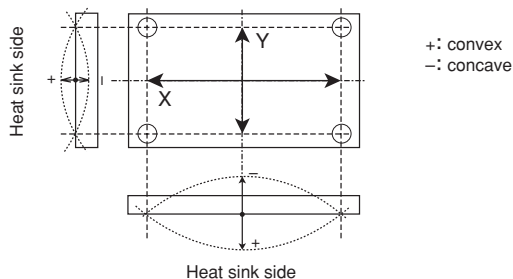
CONVERTER PART

Symbol	Parameter	Conditions	Rating	Unit
V _{RRM}	Repetitive peak reverse voltage		800	V
E _a	Recommended AC input voltage		220	V _{rms}
I _o	DC output current	3-phase full wave rectifying, T _c = 140°C (Note. 1)	75	A
I _{FSM}	Surge forward current	The sine half wave 1 cycle peak value, f = 60Hz, non-repetitive	750	
i ² t	Current square time	Value for one cycle of surge current	2340	A ² s

MODULE

Symbol	Parameter	Conditions	Rating	Unit
T _j	Junction temperature		-40 ~ +150	°C
T _{stg}	Storage temperature		-40 ~ +125	
V _{iso}	Isolation voltage	Terminals to base plate, f = 60Hz, AC 1 minute	2500	V _{rms}
—	Base plate flatness	On the centerline X, Y (Note. 8)	±0 ~ +100	μm
—	Torque strength	Mounting M5 screw	2.5 ~ 3.5	N·m
—	Weight	(Typical)	270	g

Note. 8: The base plate flatness measurement points are in the following figure.



CM75MX-12A

HIGH POWER SWITCHING USE

ELECTRICAL CHARACTERISTICS (T_j = 25°C, unless otherwise specified)

INVERTER PART

Symbol	Parameter	Conditions	Limits			Unit	
			Min.	Typ.	Max.		
ICES	Collector cutoff current	VCE = VCES, VGE = 0V	—	—	1	mA	
VGE(th)	Gate-emitter threshold voltage	IC = 7.5mA, VCE = 10V	5	6	7	V	
IGES	Gate leakage current	±VGE = VGES, VCE = 0V	—	—	0.5	μA	
VCE(sat)	Collector-emitter saturation voltage	IC = 75A, VGE = 15V (Note. 6)	T _j = 25°C	—	1.7	2.1	V
			T _j = 125°C	—	1.9	—	
		IC = 75A, VGE = 15V	Chip	—	1.6	—	
Cies	Input capacitance	VCE = 10V VGE = 0V (Note. 6)	—	—	9.3	nF	
Coes	Output capacitance		—	—	1.0		
Cres	Reverse transfer capacitance		—	—	0.3		
QG	Total gate charge	VCC = 300V, IC = 75A, VGE = 15V	—	200	—	nC	
td(on)	Turn-on delay time	VCC = 300V, IC = 75A	—	—	100	ns	
tr	Turn-on rise time	VGE = ±15V, RG = 8.2Ω	—	—	100		
td(off)	Turn-off delay time	Inductive load	—	—	300		
tf	Turn-off fall time		—	—	600		
trr (Note.3)	Reverse recovery time		—	—	200		
Qrr (Note.3)	Reverse recovery charge	(IE = 75A)	—	1.8	—	μC	
VEC(Note.3)	Emitter-collector voltage	IE = 75A, VGE = 0V (Note. 6)	T _j = 25°C	—	2.0	2.8	V
			T _j = 125°C	—	1.95	—	
		IE = 75A, VGE = 0V	Chip	—	1.9	—	
Rth(j-c)Q	Thermal resistance (Junction to case) (Note. 1)	per IGBT	—	—	0.44	K/W	
Rth(j-c)R		per free wheeling diode	—	—	0.85		
RGint	Internal gate resistance	Tc = 25°C, per switch	—	0	—	Ω	
RG	External gate resistance		8.0	—	83		

BRAKE PART

Symbol	Parameter	Conditions	Limits			Unit	
			Min.	Typ.	Max.		
ICES	Collector cutoff current	VCE = VCES, VGE = 0V	—	—	1	mA	
VGE(th)	Gate-emitter threshold voltage	IC = 5mA, VCE = 10V	5	6	7	V	
IGES	Gate leakage current	±VGE = VGES, VCE = 0V	—	—	0.5	μA	
VCE(sat)	Collector-emitter saturation voltage	IC = 50A, VGE = 15V (Note. 6)	T _j = 25°C	—	1.7	2.1	V
			T _j = 125°C	—	1.9	—	
		IC = 50A, VGE = 15V	Chip	—	1.6	—	
Cies	Input capacitance	VCE = 10V VGE = 0V (Note. 6)	—	—	9.3	nF	
Coes	Output capacitance		—	—	1.0		
Cres	Reverse transfer capacitance		—	—	0.3		
QG	Total gate charge	VCC = 300V, IC = 50A, VGE = 15V	—	200	—	nC	
IRRM(Note.3)	Repetitive peak reverse current	VR = VRRM	—	—	1	mA	
VFM(Note.3)	Forward voltage drop	IF = 50A (Note. 6)	T _j = 25°C	—	2.0	2.8	V
			T _j = 125°C	—	1.95	—	
		IF = 50A	Chip	—	1.9	—	
Rth(j-c)Q	Thermal resistance (Junction to case) (Note. 1)	per IGBT	—	—	0.44	K/W	
Rth(j-c)R		per Clamp diode	—	—	0.85		
RGint	Internal gate resistance	Tc = 25°C	—	0	—	Ω	
RG	External gate resistance		13	—	125		

CONVERTER PART

Symbol	Parameter	Conditions	Limits			Unit
			Min.	Typ.	Max.	
IRRM	Repetitive peak reverse current	VR = VRRM, T _j = 150°C	—	—	20	mA
VF	Forward voltage drop	IF = 75A	—	1.2	1.6	V
Rth(j-c)	Thermal resistance (Junction to case) (Note. 1)	per Diode	—	—	0.24	K/W

CM75MX-12A

HIGH POWER SWITCHING USE

NTC THERMISTOR PART

Symbol	Parameter	Conditions	Limits			Unit
			Min.	Typ.	Max.	
R	Zero power resistance	Tc = 25°C	4.85	5.00	5.15	kΩ
ΔR/R	Deviation of resistance	Tc = 100°C, R100 = 493Ω	-7.3	—	+7.8	%
B(25/50)	B constant	Approximate by equation (Note. 7)	—	3375	—	K
P25	Power dissipation	Tc = 25°C	—	—	10	mW

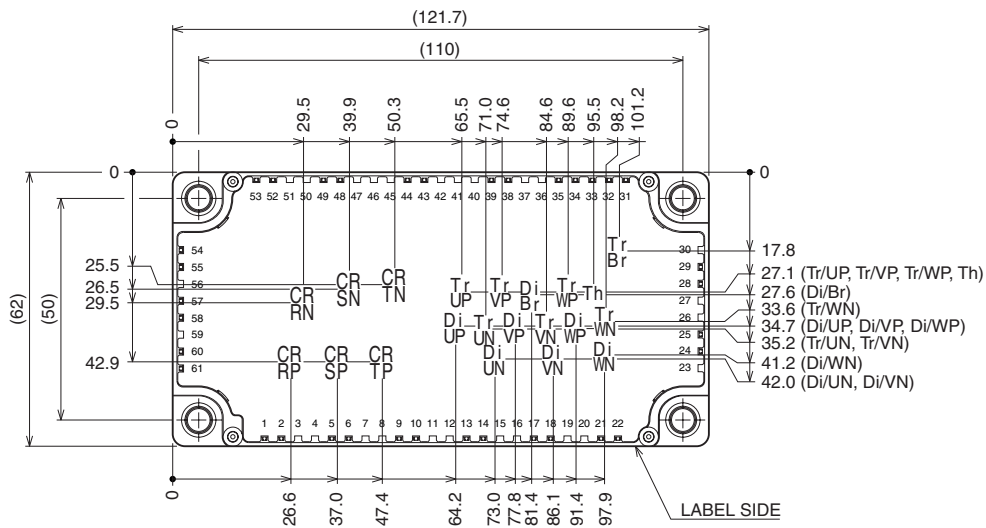
MODULE

Symbol	Parameter	Conditions	Limits			Unit
			Min.	Typ.	Max.	
Rth(c-f)	Contact thermal resistance (Case to fin) (Note. 1)	Thermal grease applied per 1 module (Note. 2)	—	0.015	—	K/W

- Note. 1: Case temperature (Tc), heat sink temperature (Tf) measured point is just under the chips. (Refer to the figure of the chip location.)
 2: Typical value is measured by using thermally conductive grease of λ = 0.9W/(m·K).
 3: IE, IERM, VEC, tr, Qrr and Err represent ratings and characteristics of the anti-parallel, emitter-collector free wheeling diode (FWDi).
 IF, IFRM, VF, VRRM and IRRM represent ratings and characteristics of the Clamp diode of Brake part.
 4: Pulse width and repetition rate should be such that the device junction temperature (Tj) dose not exceed Tjmax rating.
 5: Junction temperature (Tj) should not increase beyond 150°C.
 6: Pulse width and repetition rate should be such as to cause negligible temperature rise.
 (Refer to the figure of the test circuit for VCE(sat) and VEC)
 7: $B(25/50) = \ln\left(\frac{R_{25}}{R_{50}}\right) / \left(\frac{1}{T_{25}} - \frac{1}{T_{50}}\right)$
 R25: resistance at absolute temperature T25 [K]; T25 = 25 [°C]+273.15 = 298.15 [K]
 R50: resistance at absolute temperature T50 [K]; T50 = 50 [°C]+273.15 = 323.15 [K]

Chip Location (Top view)

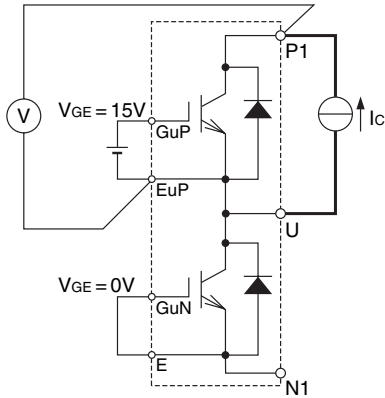
Dimensions in mm (tolerance: ±1mm)



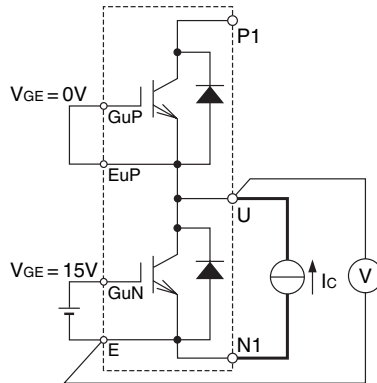
Each mark points the center position of each chip. Tr**: IGBT, Di**: FWDi (DiBr: Clamp diode), CR**: Converter diode, Th: NTC thermistor

CM75MX-12A

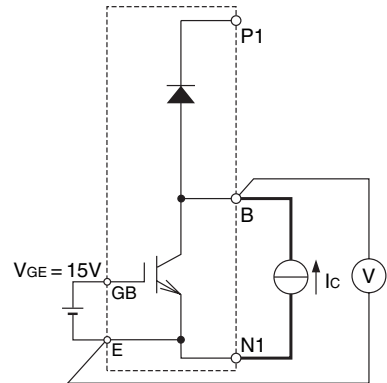
HIGH POWER SWITCHING USE



P side Inverter part Tr
(example of U arm)
 $V_{G^*E^*} = 0V$
(GvP-EvP, GwP-EwP, GvN-E, GwN-E, GB-E)

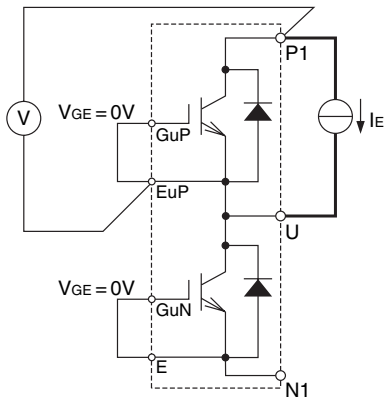


N side Inverter part Tr
(example of U arm)
 $V_{G^*E^*} = 0V$
(GvP-EvP, GwP-EwP, GvN-E, GwN-E, GB-E)

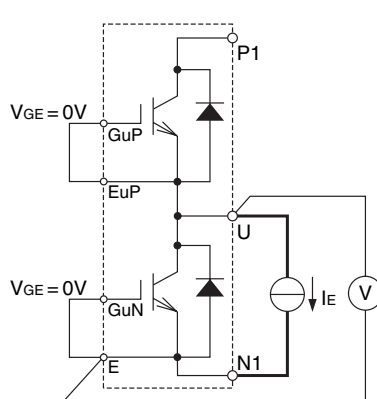


Br Tr
 $V_{G^*E^*} = 0V$
(GuP-EuP, GvP-EvP, GwP-EwP, GuN-E, GvN-E, GwN-E)

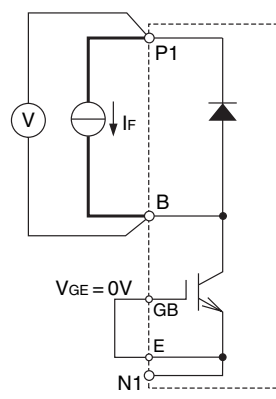
VCE(sat) test circuit



P side Inverter part Di
(example of U arm)
 $V_{G^*E^*} = 0V$
(GvP-EvP, GwP-EwP, GvN-E, GwN-E, GB-E)

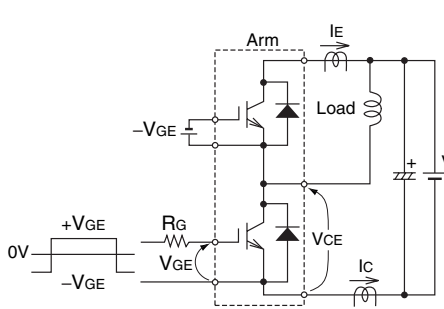


N side Inverter part Di
(example of U arm)
 $V_{G^*E^*} = 0V$
(GvP-EvP, GwP-EwP, GvN-E, GwN-E, GB-E)

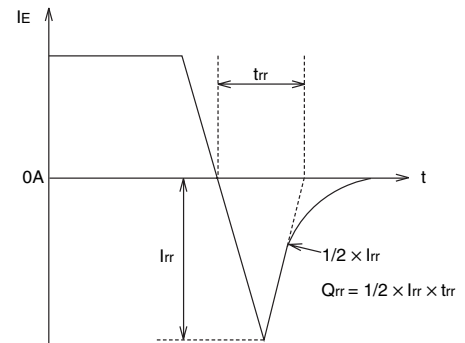
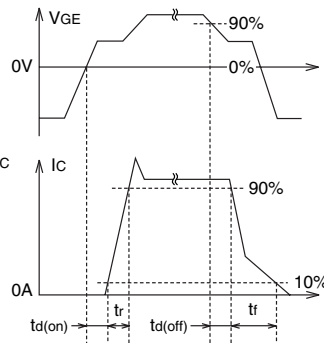


Br Di
 $V_{G^*E^*} = 0V$
(GuP-EuP, GvP-EvP, GwP-EwP, GuN-E, GvN-E, GwN-E)

Vec/VFM test circuit



Switching time test circuit and waveforms

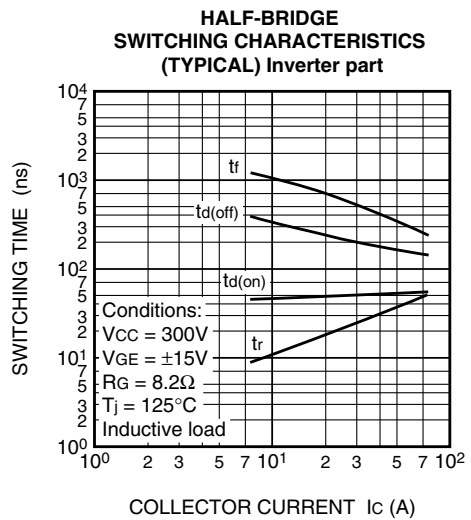
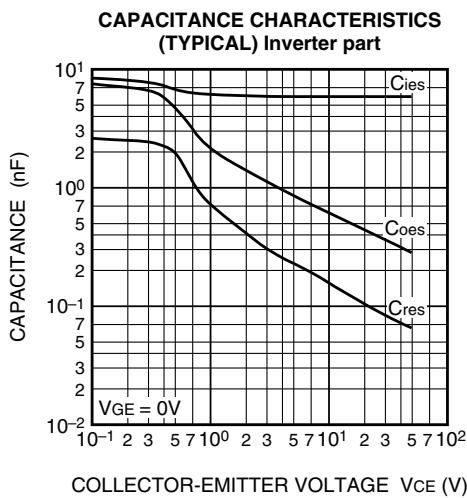
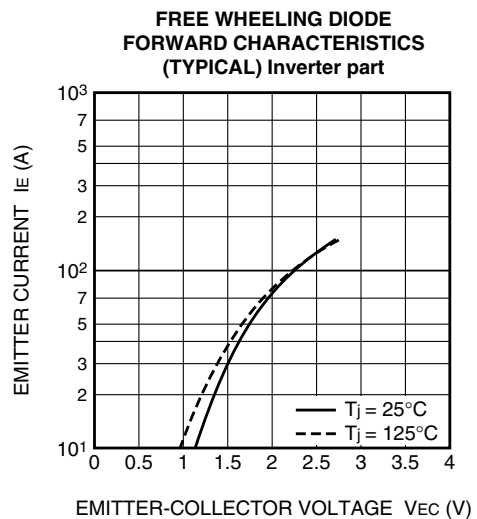
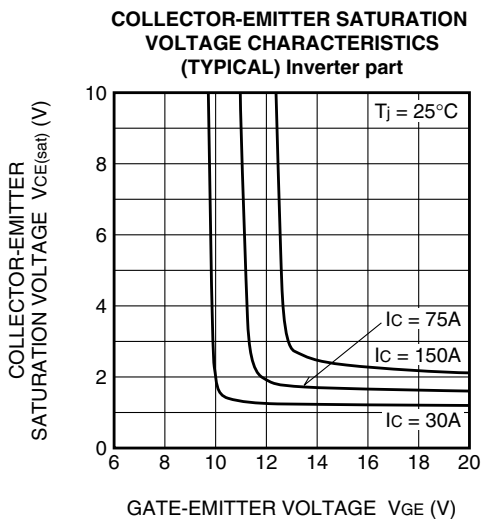
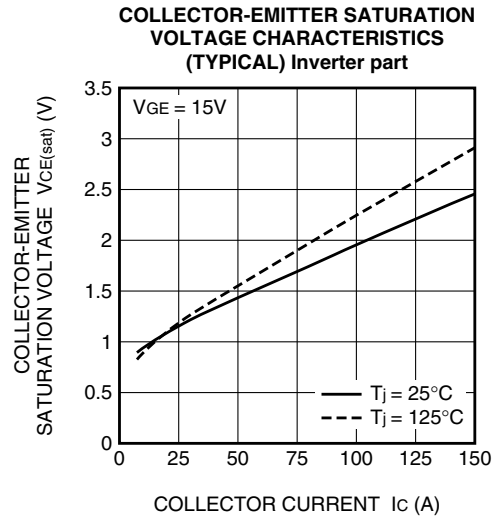
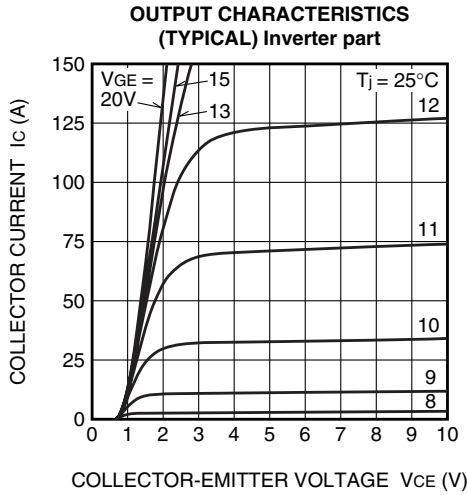


trr, Qrr test waveform

CM75MX-12A

HIGH POWER SWITCHING USE

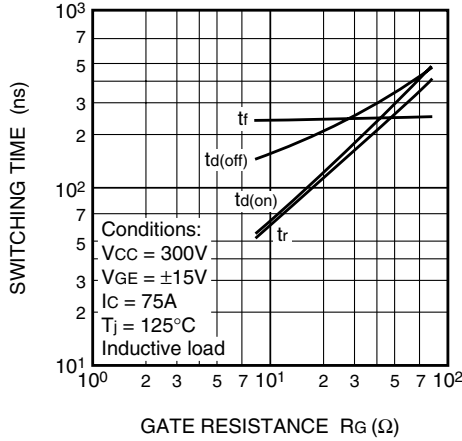
PERFORMANCE CURVES



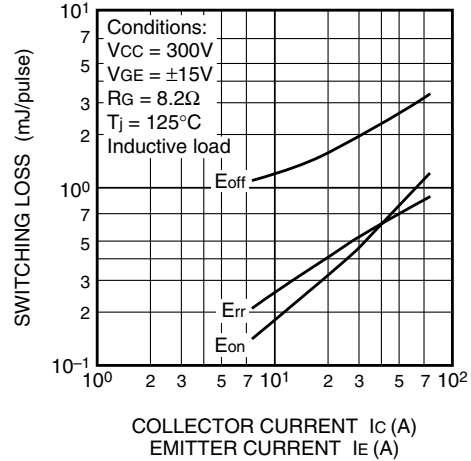
CM75MX-12A

HIGH POWER SWITCHING USE

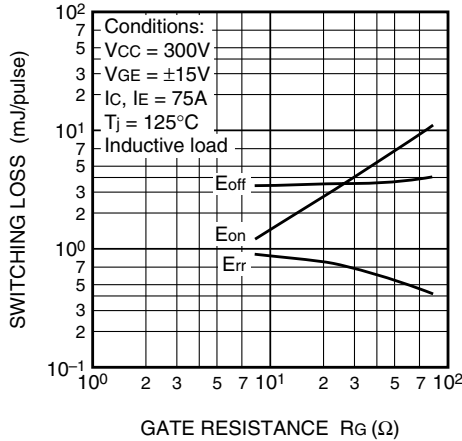
HALF-BRIDGE SWITCHING CHARACTERISTICS (TYPICAL) Inverter part



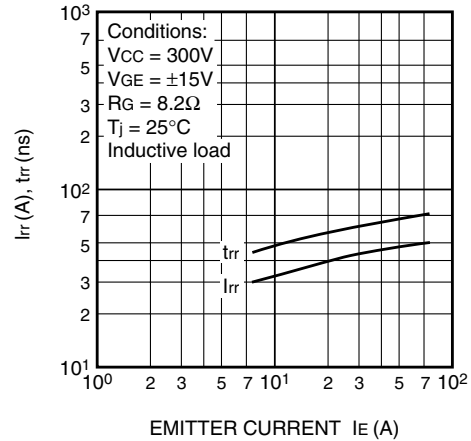
HALF-BRIDGE SWITCHING CHARACTERISTICS (TYPICAL) Inverter part



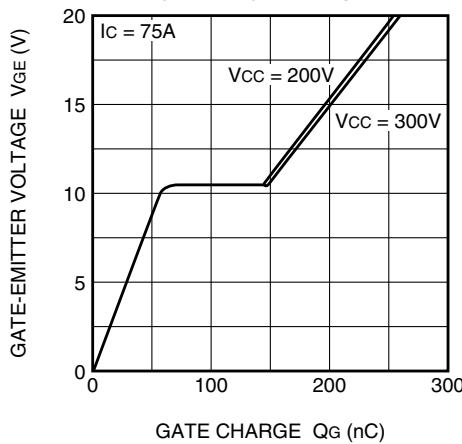
HALF-BRIDGE SWITCHING CHARACTERISTICS (TYPICAL) Inverter part



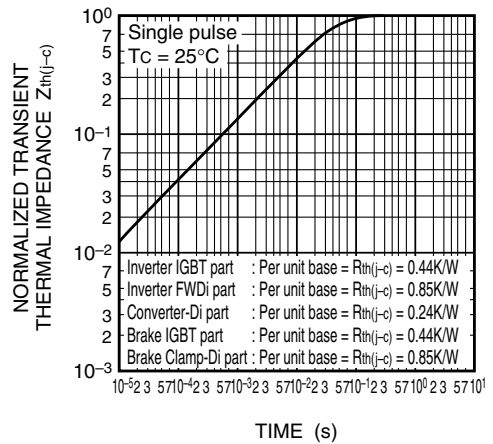
REVERSE RECOVERY CHARACTERISTICS OF FREE WHEELING DIODE (TYPICAL) Inverter part



GATE CHARGE CHARACTERISTICS (TYPICAL) Inverter part



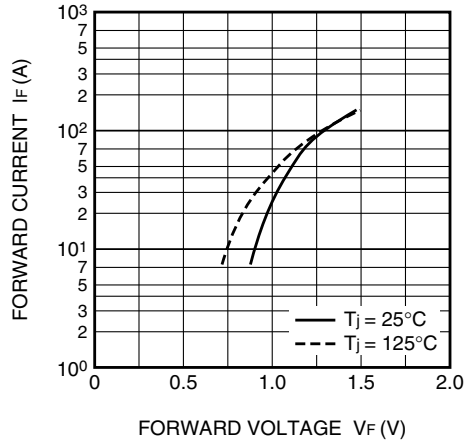
TRANSIENT THERMAL IMPEDANCE CHARACTERISTICS



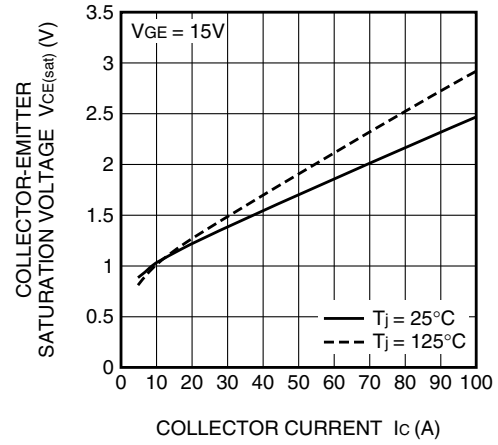
CM75MX-12A

HIGH POWER SWITCHING USE

**RECTIFIER DIODE
FORWARD CHARACTERISTICS
(TYPICAL) Converter part**



**COLLECTOR-EMITTER SATURATION
VOLTAGE CHARACTERISTICS
(TYPICAL) Brake part**



**CLAMP DIODE
FORWARD CHARACTERISTICS
(TYPICAL) Brake part**

