

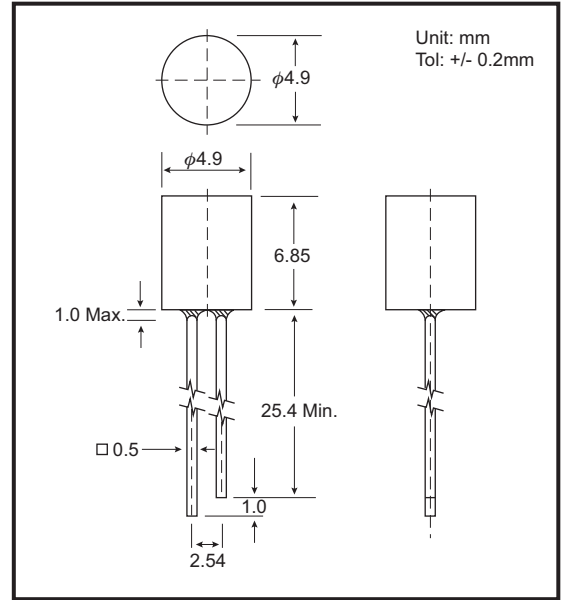
DESCRIPTION:

The 423 series is cylindrical type in 4.9mm diameter and without flange.
The semi-conductor materials used are:
GaP for (423HD, 423GD/GT)
GaAsP/GaP for (423RHD/RHT, 423YD/YT and 423SD/ST)

ABSOLUTE MAXIMUM RATINGS: (Ta=25°C)

| | |
|---|---------------------|
| Reverse Voltage | 5 Volt |
| Reverse Current (Vr =5V) | 100μA |
| Operating Temperature Range | -40°C To 85°C |
| Storage Temperature Range | -40°C To 100°C |
| Lead Soldering Temperature (1.6mm (1/16)From Body) | 260°C For 5 Seconds |

- NOTES : 1. All dimensions are in millimeters.
2. Lead spacing is measured where the leads emerge from the package.
3. Protuded resin under flange is 1.5 mm (0.059") Max.
4. Specifications are subject to change without notice.

PACKAGE DIMENSIONS

PART NO. SELECTION AND APPLICATION INFORMATION (RATINGS AT 25°C AMBIENT)

| Part No. | Emitted Color | Lens Color | Peak Wavelength λp (nm) | Vf (v) | | Rec. If (mA) | Iv (mcd) | | View Angle 2θ1/2(Deg) |
|-----------|---------------|-----------------|-------------------------|--------|-----|--------------|----------|------|-----------------------|
| | | | | Min | Max | | Min | Typ. | |
| GB-423HD | Red | Red Diffused | 697 | 1.7 | 2.6 | 5-10 | 0.3 | 0.5 | 90 |
| GB-423RHD | Bright Red | Red Diffused | 660 | 1.7 | 2.6 | 10-20 | 0.4 | 1.2 | 90 |
| GB-423GD | Green | Green Diffused | 565 | 1.7 | 2.6 | 10-20 | 0.4 | 1.2 | 90 |
| GB-423YD | Yellow | Yellow Diffused | 585 | 1.7 | 2.6 | 10-20 | 0.4 | 1.2 | 90 |
| GB-423SD | Orange | Orange Diffused | 610 | 1.7 | 2.6 | 10-20 | 0.4 | 1.2 | 90 |
| GB-423RHT | Bright Red | Red Trans. | 660 | 1.7 | 2.6 | 10-20 | 0.4 | 1.6 | 70 |
| GB-423GT | Green | Green Trans. | 565 | 1.7 | 2.6 | 10-20 | 0.6 | 1.7 | 70 |
| GB-423YT | Yellow | Yellow Trans. | 585 | 1.7 | 2.6 | 10-20 | 0.6 | 1.7 | 70 |
| GB-423ST | Orange | Orange Trans. | 610 | 1.7 | 2.6 | 10-20 | 0.6 | 1.7 | 70 |

TESTING CONDITION FOR EACH PARAMETER :

| PARAMETER: | SYMBOL | UNIT | TEST CONDITION |
|-------------------------------|----------|--------|----------------|
| REVERSE VOLTAGE | Vr | VOLT | Vr = 5.0 Volt |
| REVERSE CURRENT | Ir | μA | If = 20mA |
| FORWARD VOLTAGE | Vf | VOLT | If = 20mA |
| LUMINOUS INTENSITY | Iv | MCD | If = 20mA |
| VIEWING ANGLE | 2θ1/2 | DEGREE | |
| RECOMMENDED OPERATING CURRENT | If (Rec) | mA | |

