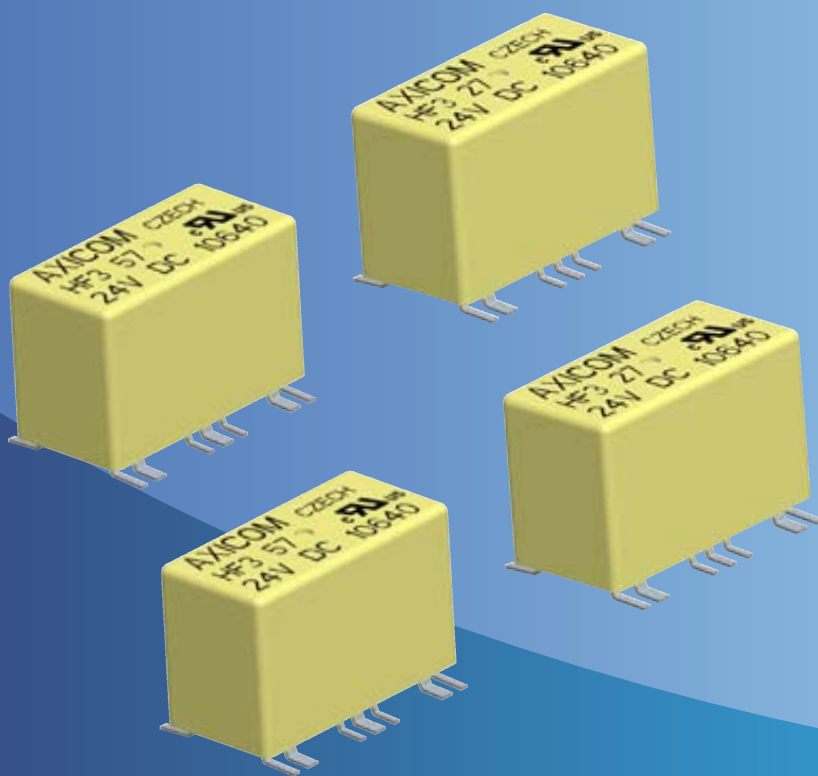


tyco

Electronics

AXICOM

HF3 Relay



108-98000
Sept 06 Rev. C
ECOC: JM10

HF3 Relay

Index

Dimensions	4
Coil Operating Range	5
Coil Data and Ordering Informations	6
Contact Data	7
Insulation	7
General Data	7
Packing	10



UL 508 File No. E 111441
UL 60950

HF3 Relay

High performance low cost plastic sealed high frequency relay for 50 and 75 Ohm systems, 1 pole, polarized coil
Surface Mount Technology (SMT)

Relay types: non latching
 latching 1 coil
 latching 2 coils

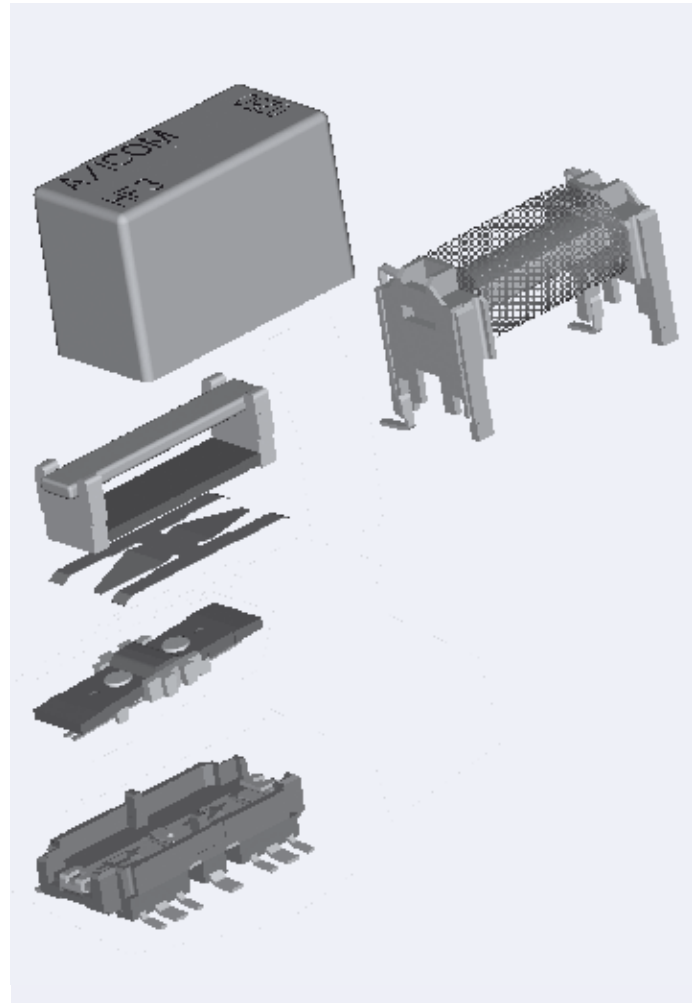
ROHS compliant (Directive 2002/95/EC) all date codes.

Features

- Y-Design
- Frequency range DC to 3 GHz
- Impedance 50 Ω or 75 Ω
- Small dimensions (14.6 mm x 7.2 mm x 10 mm)
- 1 change over contact (1 form C / SPDT)
- Immersion cleanable
- Low power consumption (≤ 140 mW)

Typical applications

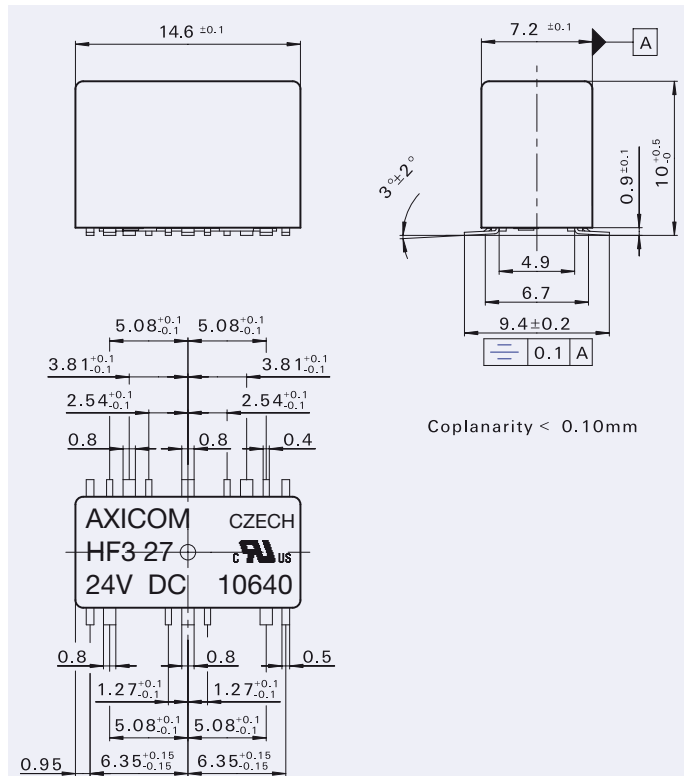
- Cable modems and linecards/ CATV
- TAP's
- Measurement and test equipment ATE
- Satellite / audio / video tuners
- Wireless base stations and antennas



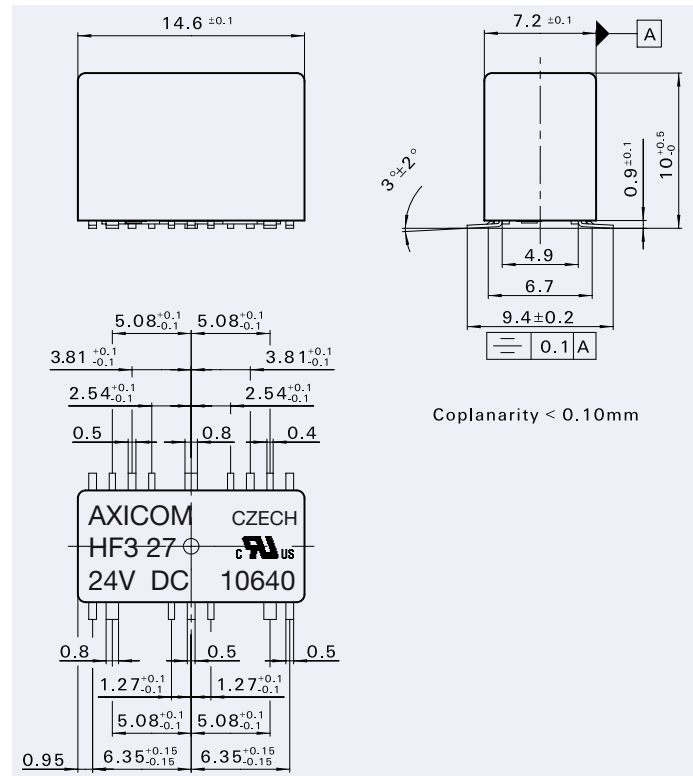
HF3 Relay

Dimensions **Dimensions in mm**

50 Ohm Version

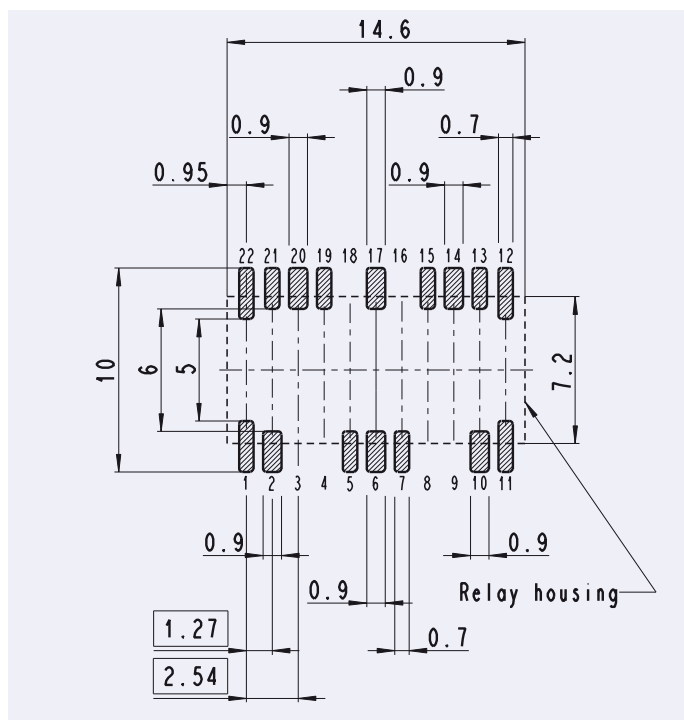


75 Ohm Version

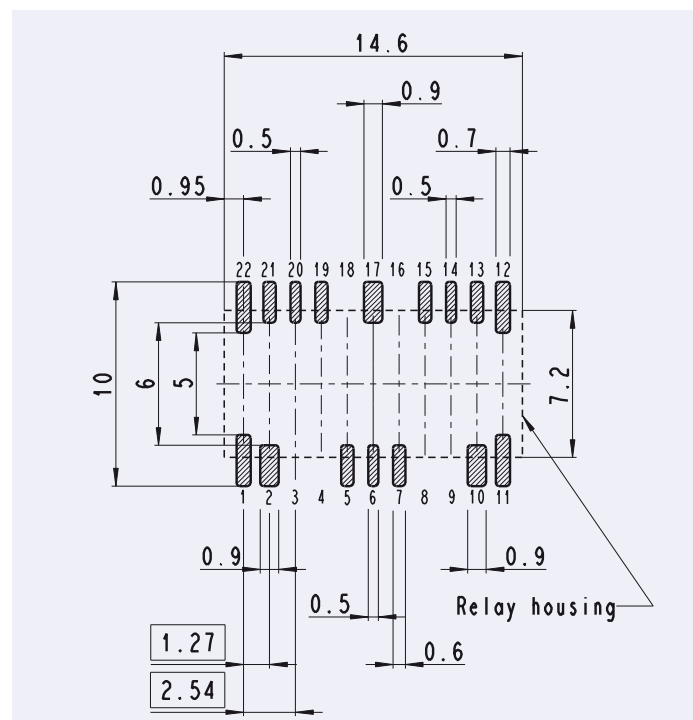


Solder pad layout View onto the component side of the PCB (Top view) **Dimensions in mm**

50 Ohm Version



75 Ohm Version

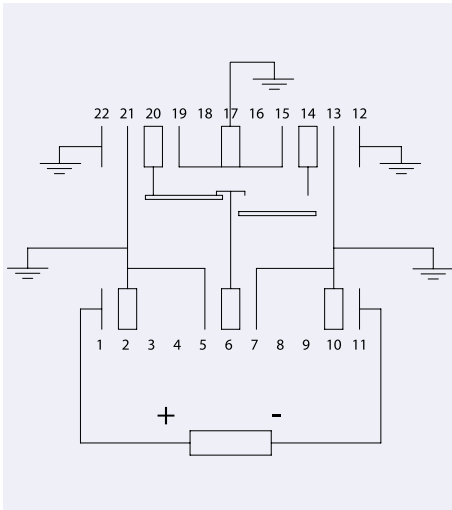


HF3 Relay

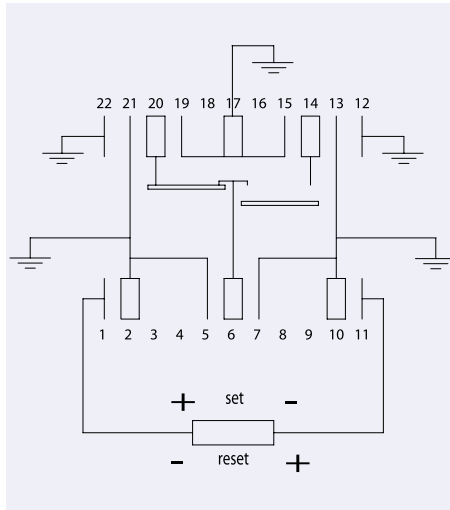
Terminal assignment

Relay top view

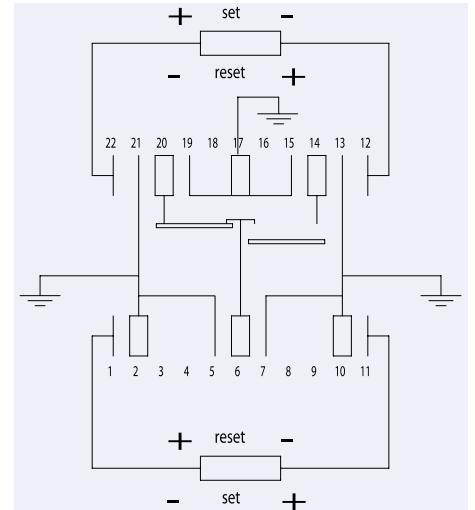
Non-latching type,
not energized condition



Latching type, 1 coil
rest condition

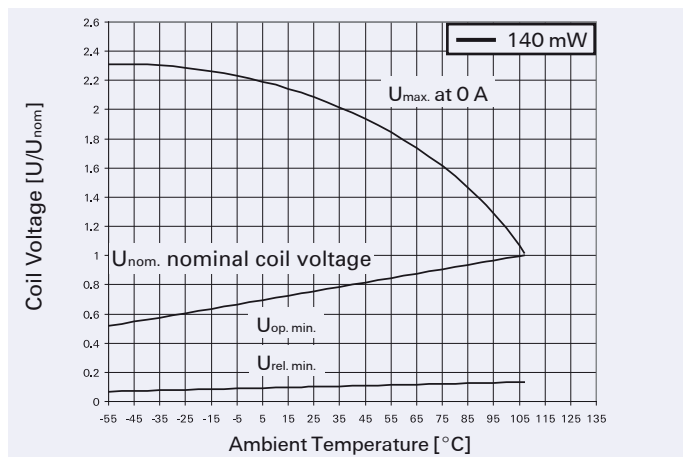


Latching type, 2 coils
reset condition

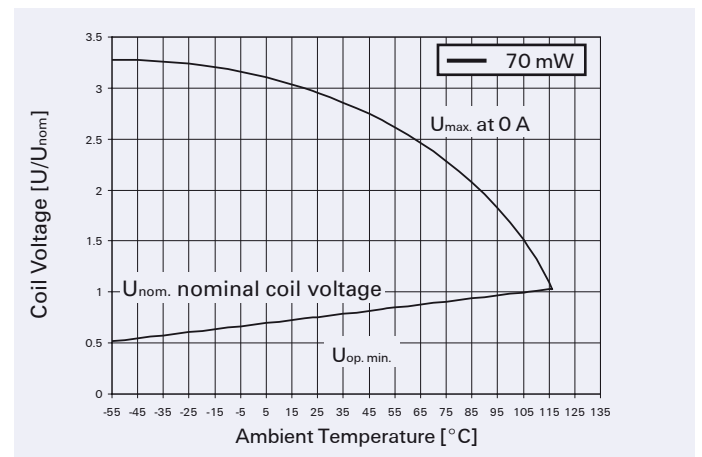


Coil Operating Range

140 mW



70 mW



- U_{nom} = Nominal coil voltage
- $U_{max.}$ = Upper limit of the operative range of the coil voltage (limiting voltage)
- $U_{op. min.}$ = Lower limit of the operative range of the coil voltage (reliable operate voltage)
For latching relays $U_{set min.}$ resp. $U_{reset min.}$
- $U_{rel. min.}$ = Lower limit of the operative range of the coil voltage (reliable release voltage)

HF3 Relay

Coil Data (values at 23 °C) Ordering Information

Nominal voltage U_{nom}	Operate/set voltage range		Release/ reset voltage Minimum	Coil power	Coil Resistance	Relay code	Tyco part number
	Minimum voltage U_{min}	Maximum voltage U_{max}					
Vdc	Vdc	Vdc	Vdc	mW	$\Omega / \pm 10\%$		

Non-Latching, 1 coil, 50 Ω version

3	2.25	6.50	0.30	140	64	HF3 51	1462051-1
4.5	3.38	9.80	0.45	140	145	HF3 52	1-1462051-6
5	3.75	10.90	0.50	140	178	HF3 53	1462051-2
6	4.50	13.00	0.60	140	257	HF3 54	1-1462051-7
9	6.75	19.60	0.90	140	574	HF3 55	1462051-3
12	9.00	26.10	1.20	140	1028	HF3 56	1462051-4
24	18.00	52.30	2.40	140	4114	HF3 57	1462051-5

Latching, 1 coil, 50 Ω version

3	2.25	9.20	2.25	70	128	HF3 71	1462051-6
4.5	3.38	13.85	3.38	70	289	HF3 72	1-1462051-8
5	3.75	15.30	3.75	70	357	HF3 73	1462051-7
6	4.50	18.50	4.50	70	514	HF3 74	1-1462051-9
9	6.75	27.70	6.75	70	1157	HF3 75	1462051-8
12	9.00	37.00	9.00	70	2057	HF3 76	1462051-9
24	18.00	74.00	18.00	70	8228	HF3 77	1-1462051-0

Latching, 2 coils, 50 Ω version

3	2.25	6.50	2.25	140	64	HF3 91	1-1462051-1
4.5	3.38	9.80	3.38	140	145	HF3 92	2-1462051-0
5	3.75	10.90	3.75	140	178	HF3 93	1-1462051-2
6	4.50	13.00	4.50	140	257	HF3 94	2-1462051-1
9	6.75	19.60	6.75	140	574	HF3 95	1-1462051-3
12	9.00	26.10	9.00	140	1028	HF3 96	1-1462051-4
24	18.00	52.30	18.00	140	4114	HF3 97	1-1462051-5

Non-Latching, 1 coil, 75 Ω version

3	2.25	6.50	0.30	140	64	HF3 01	1462050-1
4.5	3.38	9.80	0.45	140	145	HF3 02	1-1462050-6
5	3.75	10.90	0.50	140	178	HF3 03	1462050-2
6	4.50	13.00	0.60	140	257	HF3 04	1-1462050-7
9	6.75	19.60	0.90	140	574	HF3 05	1462050-3
12	9.00	26.10	1.20	140	1028	HF3 06	1462050-4
24	18.00	52.30	2.40	140	4114	HF3 07	1462050-5

Latching, 1 coil, 75 Ω version

3	2.25	9.20	2.25	70	128	HF3 21	1462050-6
4.5	3.38	13.85	3.38	70	289	HF3 22	1-1462050-8
5	3.75	15.30	3.75	70	357	HF3 23	1462050-7
6	4.50	18.50	4.50	70	514	HF3 24	1-1462050-9
9	6.75	27.70	6.75	70	1157	HF3 25	1462050-8
12	9.00	37.00	9.00	70	2057	HF3 26	1462050-9
24	18.00	74.00	18.00	70	8228	HF3 27	1-1462050-0

Latching, 2 coils, 75 Ω version

3	2.25	6.50	2.25	140	64	HF3 41	1-1462050-1
4.5	3.38	9.80	3.38	140	145	HF3 42	2-1462050-0
5	3.75	10.90	3.75	140	178	HF3 43	1-1462050-2
6	4.50	13.00	4.50	140	257	HF3 44	2-1462050-1
9	6.75	19.60	6.75	140	574	HF3 45	1-1462050-3
12	9.00	26.10	9.00	140	1028	HF3 46	1-1462050-4
24	18.00	52.30	18.00	140	4114	HF3 47	1-1462050-5

Values given are valid for the coil at ambient temperature of 23 °C after preenergizing with nominal voltage without contact current.

HF3 Relay

Contact Data

Number of contacts and type	1 changeover (SPDT)
Contact material	Silver, gold-covered
Limiting continuous current at max. ambient temperature	2 A
Maximum switching current	2 A
Maximum switching voltage	220 Vdc / 250 Vac
Maximum switching capacity	60 W / 62.5 VA / 50 W (2.5 GHz)
Initial contact resistance at 10 mA / 20 mV	< 100 mΩ
Mechanical endurance	10 ⁷ operations

Insulation

Insulation resistance at 500 VDC	> 100 MΩ
Dielectric test voltage (1 min) between coil and contacts between open contacts	1000 Vrms 600 Vrms
Surge voltage resistance according to FCC 68 (10 / 160 μs) and (2 / 10 μs) between coil and contacts between open contacts	1500 V 1000 V

General Data

Operate time at Unom typ./max.	3 ms / 5 ms
Reset time (latching) at Unom typ. / max.	3 ms / 5 ms
Release time without diode in parallel (non-latching) typ./max.	2 ms / 4 ms
Release time with diode in parallel (non-latching) typ./max.	4 ms / 6 ms
Bounce time at closing contact typ. / max.	1 ms / 3 ms
Maximum switching rate without load	50 operations/s
Ambient temperature	-55 °C ... +85 °C
Thermal resistance	> 165 K/W
Maximum permissible coil temperature	125 °C
Vibration resistance (function)	35 G 10 to 1000 Hz
Shock resistance, half sinus, 11 ms	50 G (function) 150 G (damage)
Degree of protection / Environmental protection	immersion cleanable, IP 67 / RT III
Needle flame test	application time 20 s, burning time < 15 s
Mounting position	any
Processing information	Ultrasonic cleaning is not recommended
Weight (mass)	max. 2,5 g
Terminal surface	SnCu 0.7
Moisture sensitive level (JEDEC J-STD-020B)	MSL 3
Resistance to soldering heat	265 °C/10 s

HF3 Relay

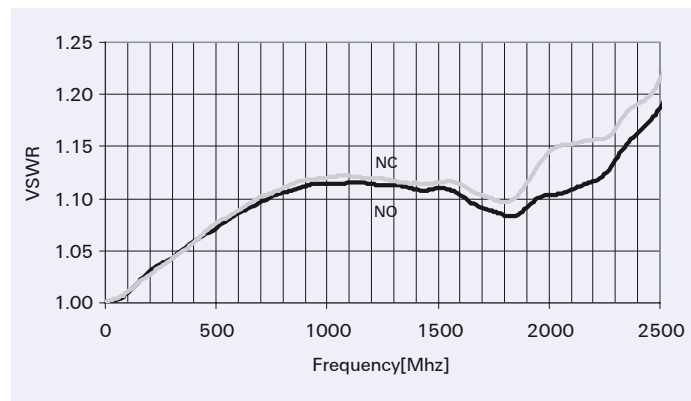
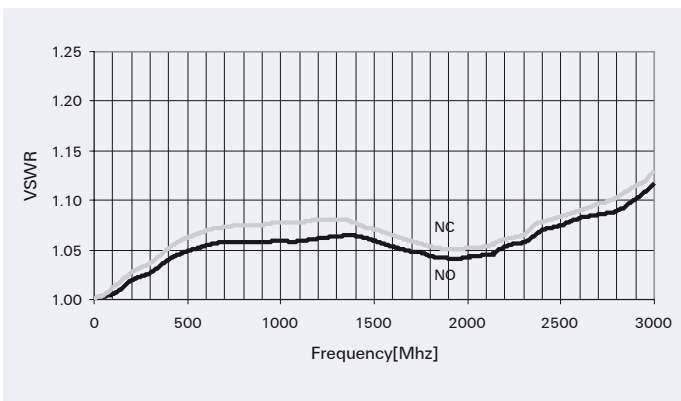
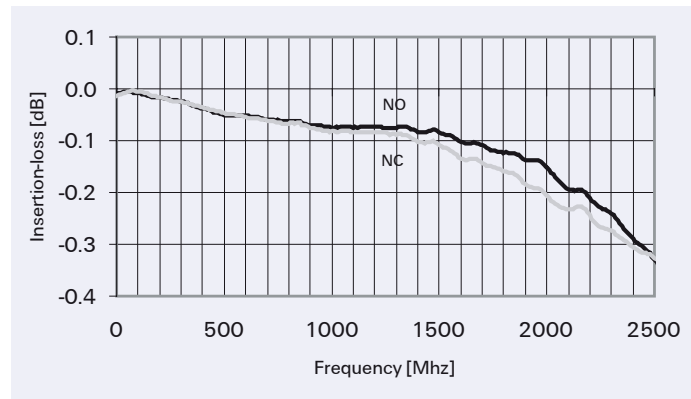
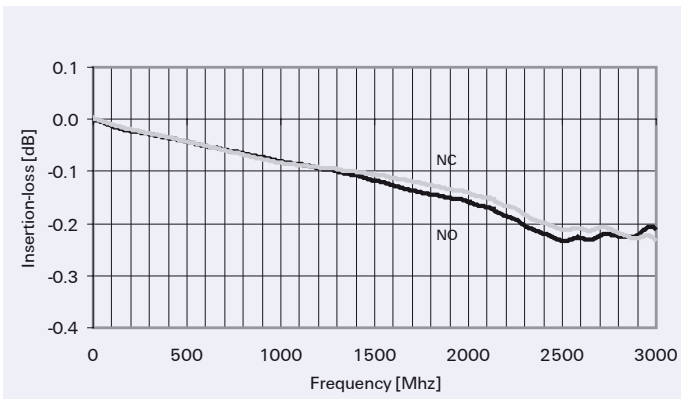
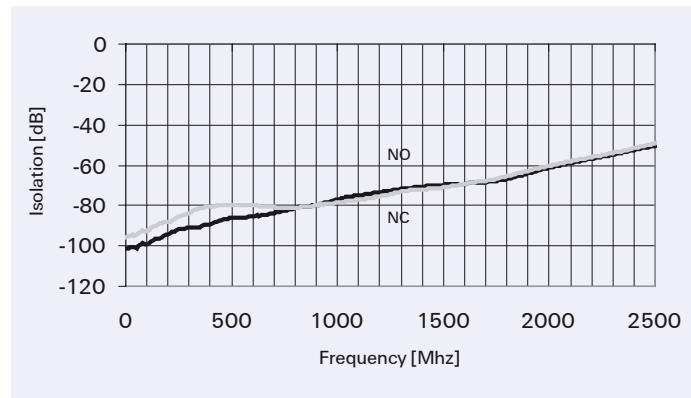
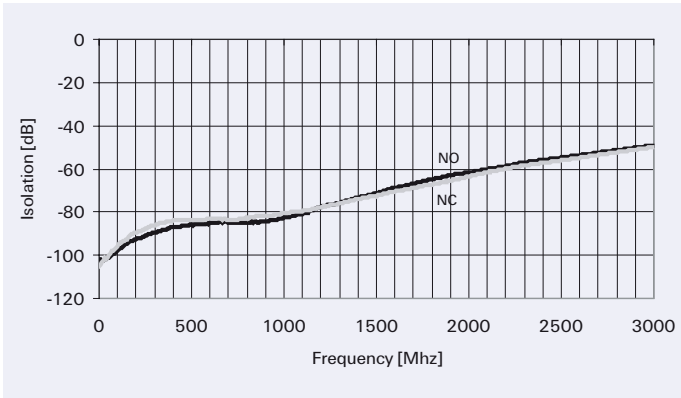
High Frequency Data

RF characteristics Isolation at 100 MHz / 900 MHz / 3 GHz Insertion loss at 100 MHz / 900 MHz / 3 GHz V.S.W.R. at 100 MHz / 900 MHz / 3 GHz	50 Ω -80dB / -72dB / -45dB -0.03dB / -0.12dB / -0.35dB 1.05 / 1.15 / 1.20	75 Ω -80dB / -72dB / -40dB ¹ -0.03dB / -0.12dB / -0.4dB ¹ 1.05 / 1.20 / 1.40 ¹
---	---	---

¹ Values given at frequency of 2.5 GHz

50 Ohm Version

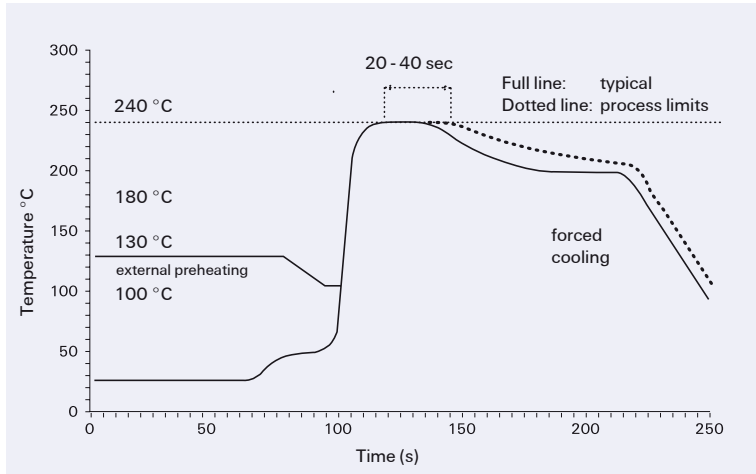
75 Ohm Version



HF3 Relay

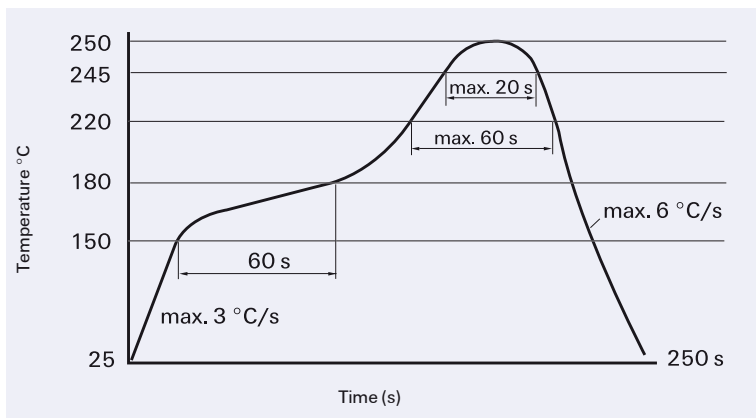
Recommended Soldering Conditions

Soldering conditions according IEC 60058-2-58 and IPC/JEDEC J-STD-020B



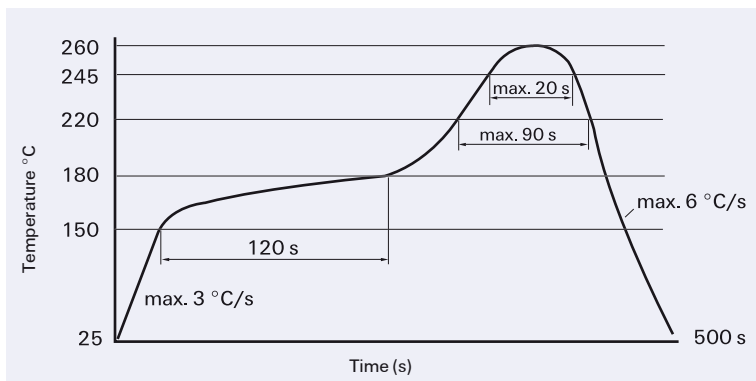
Vapor Phase Soldering: Temperature/Time Profile (Lead and Housing Peak Temperature)

Recommended reflow soldering profile



Infrared Soldering: Temperature/Time Profile (Lead and Housing Peak Temperature)

Resistance to soldering heat - Reflow profile

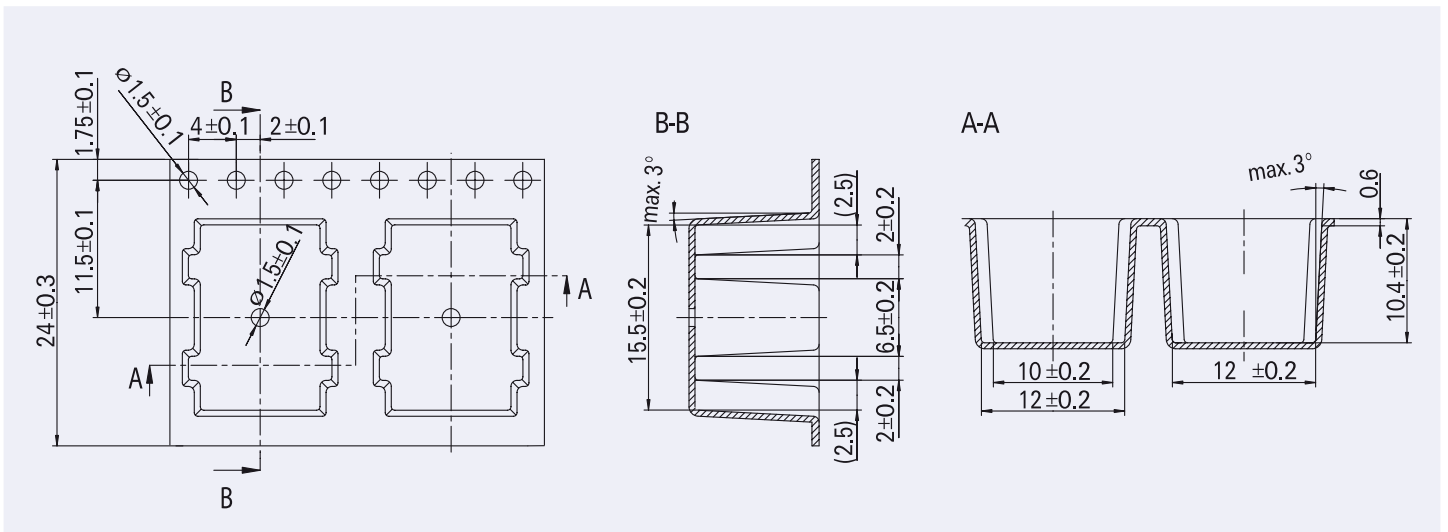


Infrared Soldering: Temperature/Time Profile (Lead and Housing Peak Temperature)

HF3 Relay

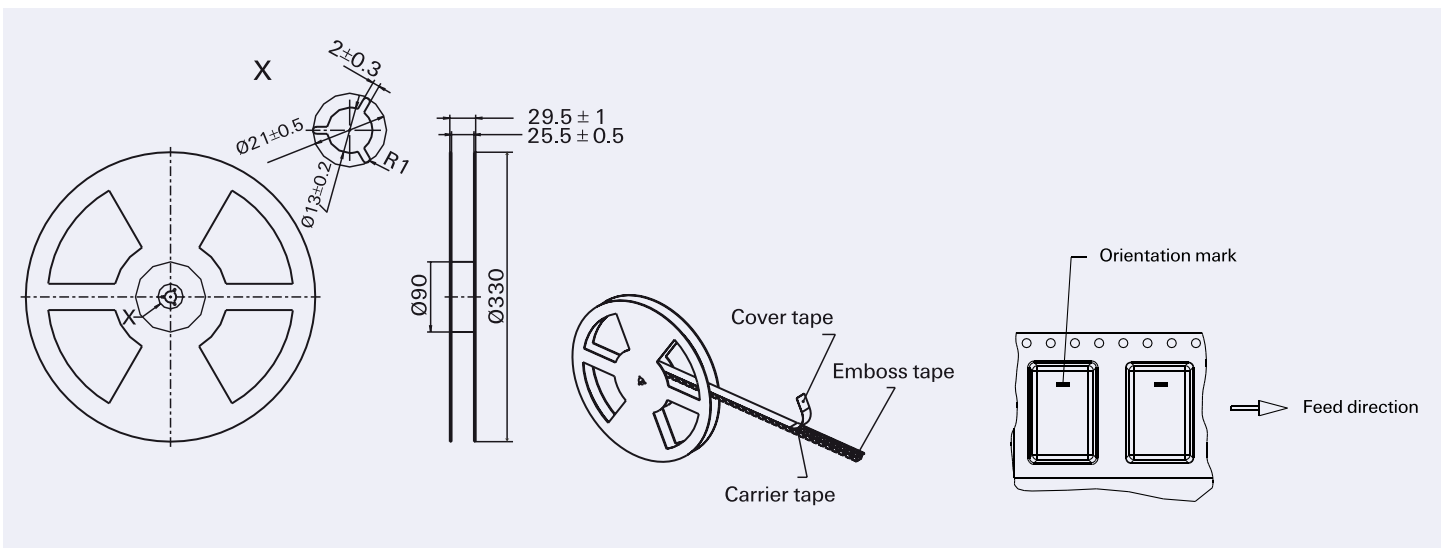
Packing

Dimensions in mm



Tape and reel for SMT version
400 relays / reel
400 or 2'000 relays / box

Reel dimension



HF3 Relay

IM Relays

4th generation slim line – low profile polarized 2 c/o telecom relay with bifurcated contacts, available as non latching or latching relay with 1 coil. Nominal voltage range from 1.5 ... 24 V, coil power consumption of 50 ... 200 mW, latching relays with 1 coil 100 mW. The IM relay is available as through hole and surface mount type (J-Legs and Gull Wings) and capable to switch loads up to 60 W/62,5 VA. It is currently the only 2 A rated 4G relay on the market. Dielectric strength fulfills the Telcordia requirements according GR 1089 (2,5 kV – 2 / 10 µs) and FCC part 68 (1,5 kV – 10 / 160 µs). The IM relay is tested according CECC/IECQ and certified in accordance with IEC/EN 60950 and UL 60950. Dimensions approx. 10 x 6 mm board space and 5.65 mm height.

P2 Relays

3rd generation polarized 2 c/o telecom relay with bifurcated contacts, available as non latching or latching relay with 1 or 2 coils. Nominal voltage range from 3 ... 24 V, coil power consumption 140 mW, latching relays with 1 coil 70 mW. The P2 Relay is available as through hole or surface mount type and capable to switch currents up to 5 A. Dielectric strength fulfills the Telcordia requirements according GR 1089 (2,5 kV – 2 / 10 µs) and FCC part 68 (1,5 kV – 10 / 160 µs). The P2 relay is tested according CECC/IECQ and certified in accordance with IEC/EN 60950 and UL 60950. Dimensions approx. 15 x 7,5 mm board space and 10 mm height.

FX2 Relays

3rd generation polarized 2 c/o telecom relay with bifurcated contacts, available as non latching or latching relay with 1 coil. Nominal voltage range from 3 ... 48 V, coil power consumption of 80 ... 260 mW for the high sensitive version, 140... 300 mW for the standard version, latching relays with 1 coil 100 mW. The FX2 relay is available as through hole type and capable to switch loads up to 60 W/62,5 VA. Dielectric strength fulfills the Telcordia requirements according GR 1089 (2,5 kV – 2 / 10 µs) and FCC part 68 (1,5 kV – 10 / 160 µs). The FX2 relay is tested according CECC/IECQ and certified in accordance with IEC/EN 60950 and UL 60950. Dimensions approx. 15 x 7,5 mm board space and 10,7 mm height.

FT2 / FU2 Relays

3rd generation non polarized, non latching 2 c/o telecom relay with bifurcated contacts. Nominal voltage range from 3 ... 48 V, coil power consumption 200 ... 300 mW. Most sensitive 48 V relay. Available as through hole and surface mount type. Dielectric strength fulfills the Telcordia requirements according GR 1089 (2,5 kV – 2 / 10 µs) and FCC part 68 (1,5 kV – 10 / 160 µs). The FT2/FU2 relay is tested according CECC/IECQ and certified in accordance with IEC/EN 60950 and UL 60950. Dimensions approx. 15 x 7,5 mm board space and 10 mm height.

FP2 Relays

3rd generation polarized 2 c/o telecom relay with bifurcated contacts, available as non latching or latching relay with 1 or 2 coils. Nominal voltage range from 3 ... 48 V, coil power consumption of 80 ... 260 mW for the high sensitive version, 140... 300 mW for the standard version, latching relays with 1 coil 100 mW. The FP2 Relay is available as through hole type and capable to switch loads up to 60 W/62,5 VA. Dielectric strength fulfills FCC part 68 (1,5 kV – 10 / 160 µs). The FP2 is tested according CECC/IECQ approved. Dimensions approx. 14 x 9 mm board space and 5 mm height.

MT2

2nd generation non polarized, non latching 2 c/o telecom and signal relay with bifurcated contacts. Nominal voltage range from 3 ... 48 V, coil power consumption 150/200/300/400 and 550 mW. Dielectric strength fulfills the requirements according FCC part 68 (1,5 kV – 10 / 160 µs). Dimensions approx. 20 x 10 mm board space and 11 mm height.

D2n Relays

2nd generation non polarized 2 c/o relay for telecom and various other applications. Nominal voltage range from 3 ... 48 V, coil power consumption from 150 ... 500 mW. The D2n relay is capable to switch currents up to 3 A. Dielectric strength fulfills the requirements according FCC part 68 (1,5 kV – 10 / 160 µs). Dimensions approx. 20 x 10 mm board space and 11 mm height.

P1 Relays

Extremely sensitive, polarized 1 c/o relay with bifurcated contacts for a wide range of applications, available as non latching or latching relay with 1 or 2 coils. Nominal voltage range from 3 ... 24 V, coil power consumption 65 mW, latching relays with 1 coil 30 mW. The P1 relay is available as through hole or surface mount type and capable to switch currents up to 1 A. Dielectric strength fulfills the requirements according FCC part 68 (1,5 kV – 10 / 160 µs). Dimensions approx. 13 x 7,6 mm board space and 7 mm height for THT or 8 mm height for SMT version.

W11 Relays

Low cost, non polarized 1 c/o relay for various applications. Nominal voltage range from 3 ... 24 V, coil power consumption 450 mW, sensitive versions 200 mW. The W11 relay is capable to switch currents up to 3 A. Dielectric strength 1000 Vrms. Dimensions approx. 15,6 x 10,6 mm board space and 11,5 mm height.

Reed Relays

High sensitive, non polarized relay for telecom and various other applications, available with 1 n/o, 2 n/o or 1c/o contacts. Nominal voltage range from 5 ... 24 V, coil power consumption 50...280 mW for 1 n/o and 125 ... 280 mW for 2 n/o or 1 c/o versions. Reedrelays are available in DIP or SIL housing and capable to switch currents up to 0,5 A. Integrated diode and/or electrostatic shield optional. Dielectric strength 1500 Vdc. Dimensions approx. 19,3 x 7 mm board space and 5 ... 7,5 mm height for DIP or 19,8 x 5 mm board space and 7,8 mm height for SIL version.

Cradle Relays

Extremely reliable and mature relay family of 1st generation for various signal switching applications. Available as non polarized, polarized / latching and relay with AC coil. The benefit is the possibility of combining various contact sets from 1 up to 6 poles, single and bifurcated contacts, different contact materials with a coil voltage range from 1,5 Vdc to 220 Vac. Cradle relays are available as dust protected and hermetically sealed versions, with plug in or solder terminals and are capable to switch currents up to 5 A. Forcibly guided (linked) contact sets optional. Dielectric strength 500 Vrms. Dimensions from approx. 19 x 24 to 19x35 mm board space and 30 mm height.

Other Relays

We offer a variety of different relay families for maintenance and replacement purposes. These relays are up to 60 years old now, such as Card Relay SN (V23030 / V23031 series), Small General Purpose Relay (V23006 series), Small Polarized Relay (V23063 ... V23067 and V23163 ... V23167 series). Accessories like sockets, hold down springs, etc. optional.

HF3 Relay

High performance low cost RF relay with excellent RF characteristics. Available with an impedance of 50 and 75 Ohm. Suitable for frequencies up to 3 GHz. Actually smallest RF relay available combining small size, excellent RF performance and SMD solderability. Available as non latching or latching relay with 1 or 2 coils and a nominal coil voltage range from 3 ... 24 V, coil power consumption 140 mW, latching relays with 1 coil 70 mW. Dimensions 14,6 x 7,3 x 10 mm.

tyco

Electronics

AXICOM



Tyco Electronics Logistics AG
Werk Axicom Au
Seestrasse 295
CH-8804 Au-Wädenswil / Switzerland
Phone +41 44 782 91 11
Fax +41 44 782 90 00
E-mail: axicom@tycoelectronics.com



Tyco Electronics
Paulsternstrasse 26
D-13629 Berlin / Germany
Phone +49 30 386 38573
Fax +49 30 386 38575
E-mail: axicom@tycoelectronics.com



Tyco Electronics EC Trutnov s.r.o.
Komenského 821
CZ-541 01 Trutnov / Czech Republic
E-mail: axicom@tycoelectronics.com

Tyco Electronics Corporation
POB 3608,
Harrisburg, PA 17105, USA
Phone +1 800-522-6752