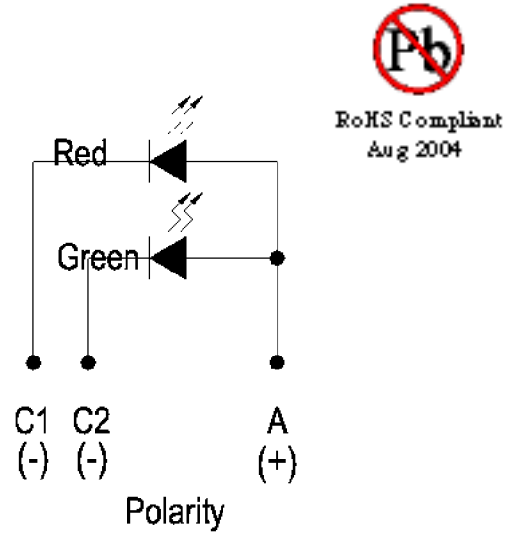
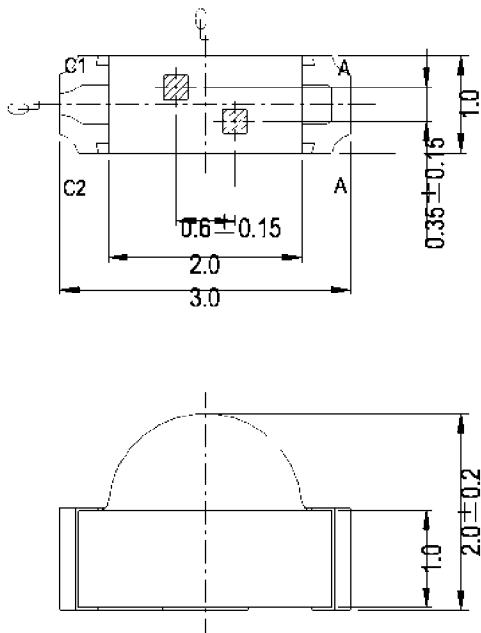


JRGC0128

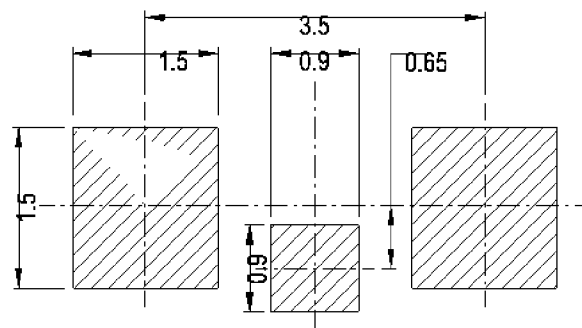
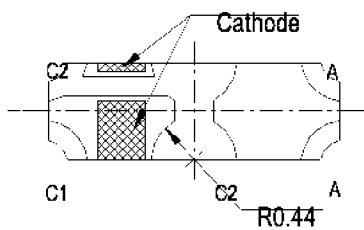
Page 1 of 2



This is a right-angle bi-color miniature chip type. They can be used for backlighting or as through the panel indicators. These lamps are packaged in 8 mm tape on a 7" diameter reel with approximately 2000 pcs/reel.



For reflow soldering (propose)



PART NO.	Chip		Lens Color
	Material	Emitted Color	
JRGC0128	AlGaInP	Red	Water Clear
	AlGaInP	Yellow Green	

* Specifications subject to change without notice. Dimensions are in mm±0.1 unless stated otherwise.

IDEA, Inc., 1351 Titan Way, Brea, CA 92821 Ph:714-525-3302, 800-LED-IDEA; Fax: 714-525-3304 0507

Absolute Maximum Ratings at $T_a = 25\text{ }^\circ\text{C}$

Parameter	Symbol	Rating	Units
Forward Current	I_F	SUR 25	mA
		SYG 25	
Operating Temperature	T_{opr}	-40 to +85	$^\circ\text{C}$
Storage Temperature	T_{stg}	-40 to +90	$^\circ\text{C}$
Soldering Temperature	T_{sol}	260 (for 5 seconds)	$^\circ\text{C}$
Power Dissipation	P_d	SUR 60	mW
		SYG 60	
Peak Forward Current (Duty 1/10 @ 1KHz)	I_F (Peak)	SUR 160	mA
		SYG 160	
Reverse Voltage	V_R	5	V

Electronic Optical Characteristics

Parameter	Symbol	Min.	Typ.	Max.	Units	Condition
Luminous Intensity	I_V	SUR 19	46	—	mcd	$I_F = 20\text{ mA}$
		SYG 13	19	—		
Viewing Angle	$2\theta_{1/2}$	—	120	—	deg	$I_F = 20\text{ mA}$
Peak Wavelength	λ_p	SUR —	632	—	nm	$I_F = 20\text{ mA}$
		SYG —	575	—		
Dominant Wavelength	λ_d	SUR —	624	—	nm	$I_F = 20\text{ mA}$
		SYG —	573	—		
Spectrum Radiation Bandwidth	$\Delta\lambda$	SUR —	20	—	nm	$I_F = 20\text{ mA}$
		SYG —	20	—		
Forward Voltage	V_F	SUR —	2.0	2.4	V	$I_F = 20\text{ mA}$
		SYG —	2.0	2.4		
Reverse Current	I_R	—	—	10	μA	$V_R = 5\text{ V}$

* Specifications subject to change without notice. Dimensions are in mm±0.1 unless stated otherwise.