

KEL55L

The KEL55L is a high - power GaAs IRED mounted in a clear plastic package. This LED emits infrared light through two plastic lenses on both sides of the package is ideally suited for use with VTR tape - end sensors.

FEATURES

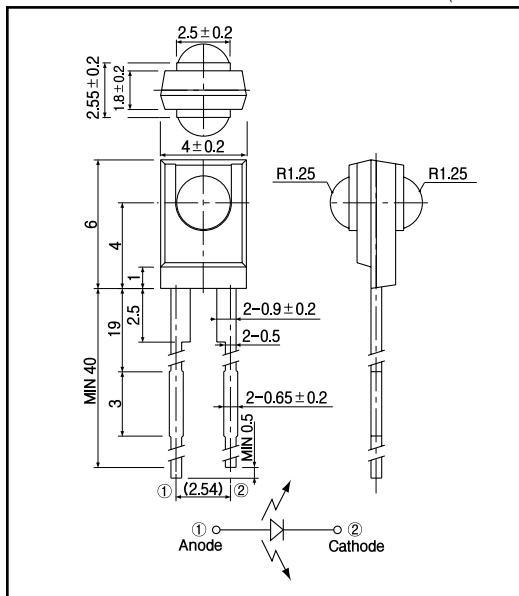
- Compact
- Low profile package
- Low - cost
- Sidelooking plastic package
- Long - lead type

APPLICATIONS

- VTR type - end sensor

DIMENSIONS

(Unit : mm)



MAXIMUM RATINGS

(Ta=25)

Item	Symbol	Rating	Unit
Reverse voltage	V _R	5	V
Forward current	I _F	50	mA
Pulse forward current *1	I _{FP}	1	A
Power dissipation	P _D	75	mW
Operating temp.	T _{opr.}	- 25 ~ + 85	
Storage temp.	T _{stg.}	- 30 ~ + 85	
Soldering temp. *2	T _{sol.}	260	

*1. pulse width : tw 100 ꝑec.period : T=10msec.

*2. For MAX.5 seconds at the position of 2 mm from the package

ELECTRO-OPTICAL CHARACTERISTICS

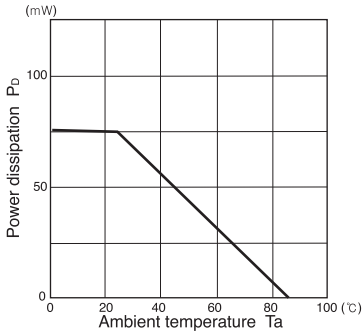
(Ta=25)

Item	Symbol	Conditions	Min.	Typ.	Max.	Unit.
Forward voltage	V _F	I _F =50mA		1.3	1.5	V
Reverse current	I _R	V _R =5V			10	µA
Capacitance	C _t	f=1MHz		25		pF
Radiant intensity	P _o	I _F =20mA	0.7	2.0		mW/sr
Peak emission wavelength	λ	I _F =20mA		940		nm
Spectral bandwidth 50%		I _F =20mA		50		nm
Half angle			-	-	-	deg.

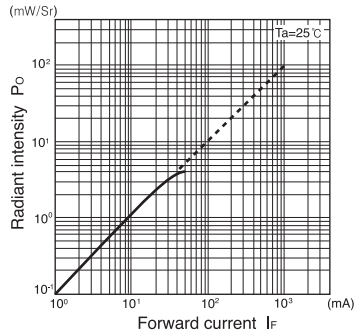
Infrared Emitting Diodes(GaAs)

KEL55L

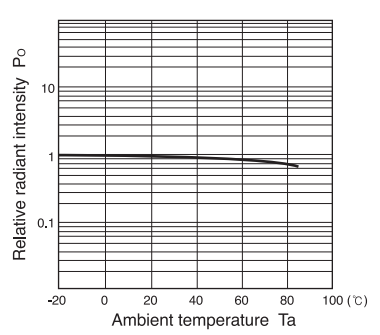
Power dissipation Vs. Ambient temperature



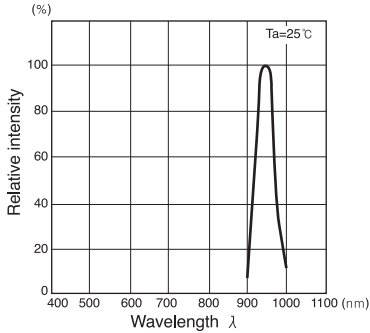
Radiant intensity Vs. Forward current



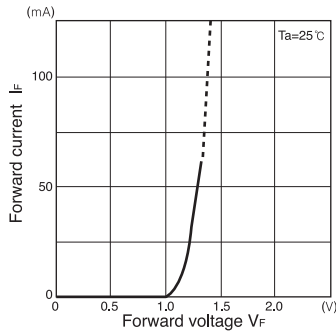
Relative radiant intensity Vs. Ambient temperature



Relative intensity Vs. Wavelength



Forward current vs. Forward voltage



Radiant Pattern

