

PIC-M175753 NdFeB Ring Magnet

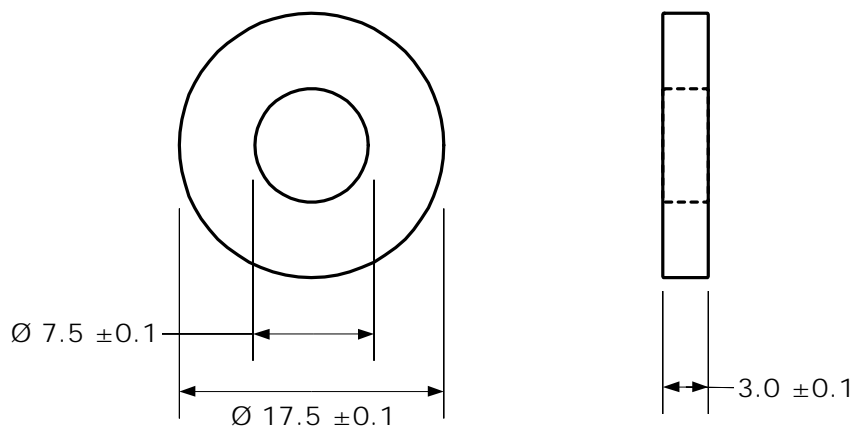
Data

Material	NdFeB, Ni-coated	
Orientation	axially	
Remanence Br	mT	1190
Coercivity HcB	kA/m	828
Coercivity HcJ	kA/m	1512
Energy Product (BH) max.	kJ/m ³	275
Magnetic Moment M	x10 ⁻⁵ Vs cm	6.50
Operating Temperature max.	°C	150
Curie Temperature Tc	°C	340
Temperature Coefficient Tk(Br)	%/°C	-0.10
Density	g/cm ³	7.5

Nominal values unless otherwise specified

Dimensions

in mm



Customized types available.