



SWE215000(2V1500AH)



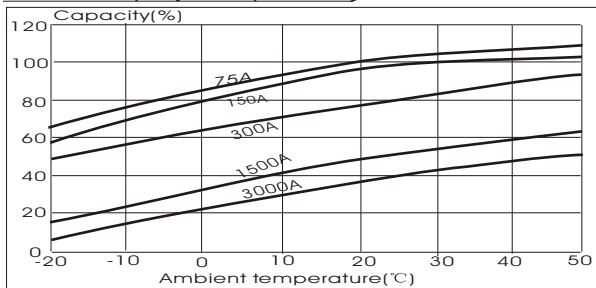
Specifications

Nominal Voltage	2 V	
Rated capacity (10 hour rate)	1500 Ah	
Dimensions	Total Height	369 mm (14.5 inches)
	Height	344 mm (13.5 inches)
	Length	401 mm (15.8 inches)
	Width	351 mm (13.8 inches)
Weight Approx	100 Kg(221lbs)	

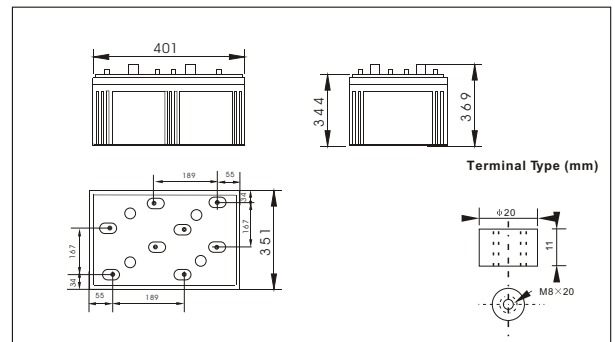
Characteristics

Capacity 25°C(77°F)	10 hour rate(150 A) 5 hour rate(240 A) 1 hour rate(900 A)	1500 AH 1200 AH 900AH
Internal Resistance	1.5 hour discharge to 1.75 V Full charged Battery at 25°C(77°F)	600 A 0.3 m Ω
Capacity affected by Temperature (10hour rate)	40°C(104°F) 25°C(77°F) 0°C(32°F) -15°C(5°F)	102% 100% 85% 65%
Self-Discharge at 25°C(77°F)	Capacity after 3 month storage Capacity after 6 month storage Capacity after 12 month storage	91% 82% 64%
Terminal	T20	
Charge (constant Voltage)	Cycle	Initial Charging Current less than 600 A Voltage 2.35-2.40V
	Float	Voltage 2.25-2.30V

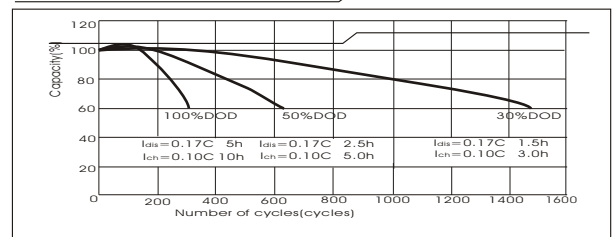
Curves of capacity and temperature



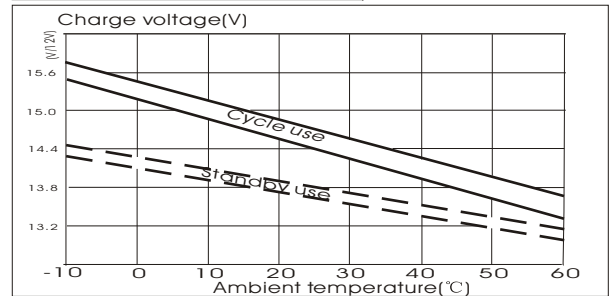
Outer dimensions (mm)



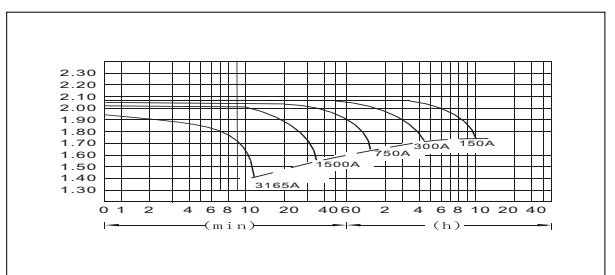
Curves of cycle life(25°C)



Curves of charge voltage and temperature



Discharge Curves 25°C(77°F)



Constant Current(Amp) and Constant Power(Watt) Discharge Table at 25°C(77°F)

Time		5min	10min	15min	30min	1h	2h	3h	4h	5h	8h	10h	20h
1.60V	A	4805	3165	2552	1710	900	525	386	300	248	176	158	85.1
	W	8264	5634	4560	3064	1620	961	715	563	469	335	303	164.8
1.70V	A	4653	2856	2403	1635	846	501	375	293	243	171	155	82.5
	W	8282	5315	4482	3059	1595	962	724	567	472	333	303	161.3
1.75V	A	4502	2555	2102	1530	819	489	366	288	240	170	152	82.5
	W	8193	4843	3997	2935	1581	945	711	562	469	332	299	162.5
1.80V	A	4338	2408	1953	1410	792	477	357	284	234	165	150	81.0
	W	8112	4627	3750	2723	1536	931	702	558	461	326	297	160.8
1.85V	A	4193	2256	1803	1260	765	465	345	276	228	161	143	76.5
	W	7924	4354	3498	2457	1499	916	683	548	453	320	287	154.5