

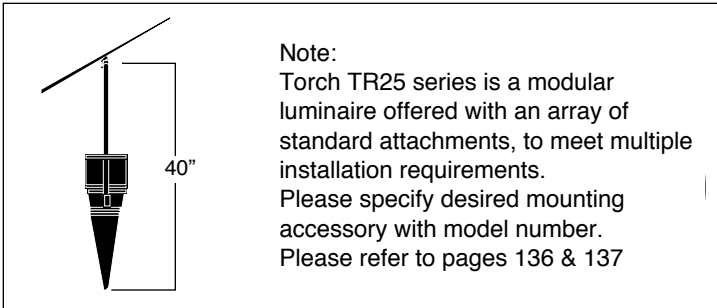
### Specification

All exposed cast aluminum components are made of non corrosive pure aluminum copper free (Aluminum is less than .1% copper content.#356 alloy.)

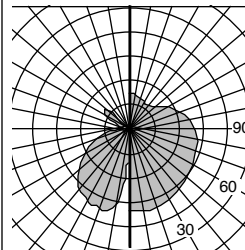
Finish: All polyester powder baked coatings preceded with a 5 baths preparation process. Meets military grade MIL-C781706 with a 2000 hours salt spray test.

- Pulse rated porcelain socket or 75W/600V thermoplastic compact fluorescent socket.
- One-piece molded silicone gasket with memory retention.
- High power factor CWA ballast. Or 98% P.F.electronic smart ballast with end of life detection for compact fluorescent.
- All stainless steel hardware.
- All Moving and removable parts are sealed with a memory retention silicone gasket.

- 1 - 24" dia. x 1/4" thick aluminum disc reflector.  
Reflector is standard white enamel on both faces. Optional non reflective face painted same color as the luminaire suffix -**RD**
- 2 - Cast aluminum interlocking rotation swivel.
- 3 - Set of two 1/2" dia . solid aluminum reflector disc supports.
- 4 - Clear tempered flush mount sealed glass lens.
- 5 - Removable sealed access cover for relamping.
- 6 - Extruded aluminum tubular housing.
- 7 - Semi-specular aluminum reflector for point source lamps.
- 8 - Cast aluminum base spacer rings.
- 9 - Set of two cast aluminum side tube holders.
- 10 - One piece cast aluminum cone housing.



### Photometry



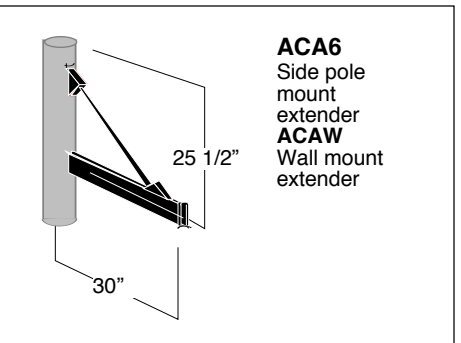
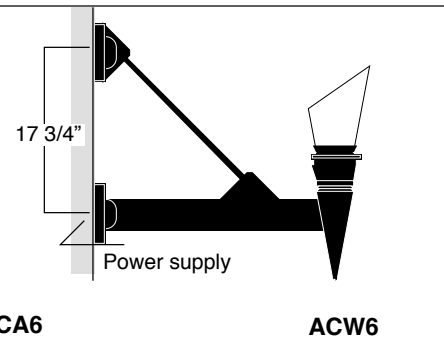
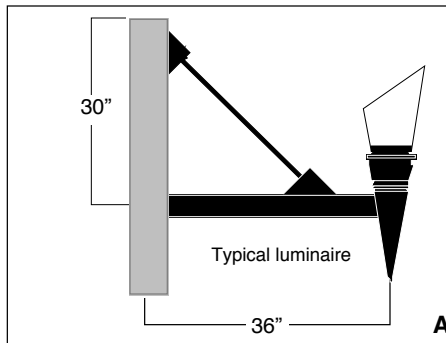
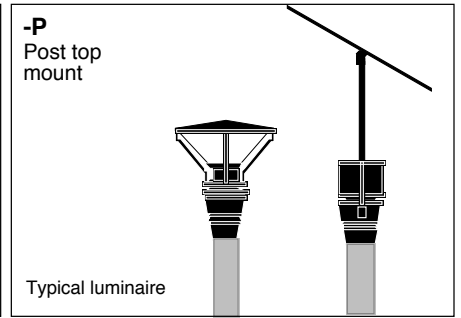
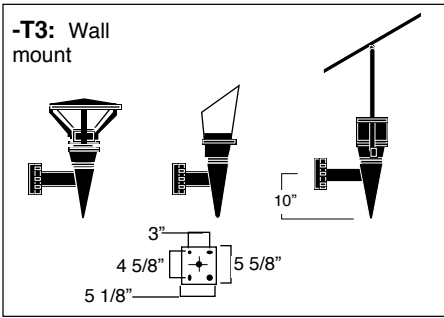
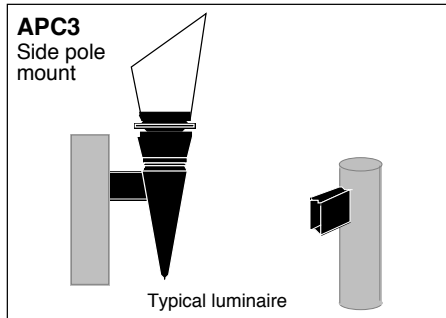
Separate updated technical specification sheets with related models and light sources with I.E.S formatted photometry are available on [www.luminis.com](http://www.luminis.com).

Certification	Weight & EPA
UL. Wet Location.	E.P.A: 1.76 Max. weight: 24 lbs..

For options details and specifications, please refer to pages **103.136 & 137**

Model#	Mounting	Light source selection	Voltage	Finish	Options
<input type="checkbox"/> TR25	<input type="checkbox"/> ACA6 <input type="checkbox"/> ACW6 <input type="checkbox"/> APC3 <input type="checkbox"/> P <input type="checkbox"/> T3	<div style="display: flex; justify-content: space-between;"> <div> <input type="checkbox"/> MH (ED17)  <input type="checkbox"/> M50  <input type="checkbox"/> M70  <input type="checkbox"/> M100  <input type="checkbox"/> M150  <input type="checkbox"/> M175                             </div> <div> <input type="checkbox"/> MH (G12) T6  <input type="checkbox"/> M39T  <input type="checkbox"/> M70T  <input type="checkbox"/> M150T                             </div> </div>	<b>120 V</b> Standard factory prewired (If no voltage is specified) For other voltages, please specify with catalog number. <div style="display: flex; justify-content: space-between;"> <div> <input type="checkbox"/> H.I.D.  <input type="checkbox"/> 208 V  <input type="checkbox"/> 240 V  <input type="checkbox"/> 277 V  <input type="checkbox"/> 347 V                             </div> <div> <input type="checkbox"/> H.I.D. G12/T6  <input type="checkbox"/> 120 V  <input type="checkbox"/> 277 V                             </div> </div> Note: 50W.HPS is available with 120/277V only.	(Refer to color chart) <u>Standard selection</u> <input type="checkbox"/> <b>WHT</b> : Snow white <input type="checkbox"/> <b>BKT</b> : Jet black <input type="checkbox"/> <b>BZT</b> : Bronze <input type="checkbox"/> <b>GRT</b> : Titanium gray <input type="checkbox"/> <b>DGT</b> : Gun metal <input type="checkbox"/> <b>CHT</b> : Champagne <input type="checkbox"/> <b>MST</b> : Matte silver <input type="checkbox"/> <b>GNT</b> : Forest green <u>Optional colors</u> <input type="checkbox"/> <b>CS</b> : Custom color <input type="checkbox"/> <b>RAL</b> : RAL# color	<input type="checkbox"/> <b>RD</b> : Alternate top face disc color same as luminaire. reflective surface remains white enamel.  <u>Electrical</u> <input type="checkbox"/> <b>FS</b> : Fuse <input type="checkbox"/> <b>PH1</b> : 120/277V photo cell. <input type="checkbox"/> <b>PH2</b> : 347V photo cell.
		(Lamps by others)			<u>Accessories</u> Alternate top face disc color same as luminaire. reflective surface remains white enamel.

Luminaires may be altered for improvements or discontinued without prior notice.



**ACA6** -EPA: 0.8  
1" X 3" extruded aluminum side pole arm mount. 4" O.D X 30" lg. post top adaptor with a cast aluminum tenon to fit with a 3 3/4" I.D. pole. 1/2" dia. stainless steel rod support. Extruded arm and all other parts are painted same color as Luminaire.

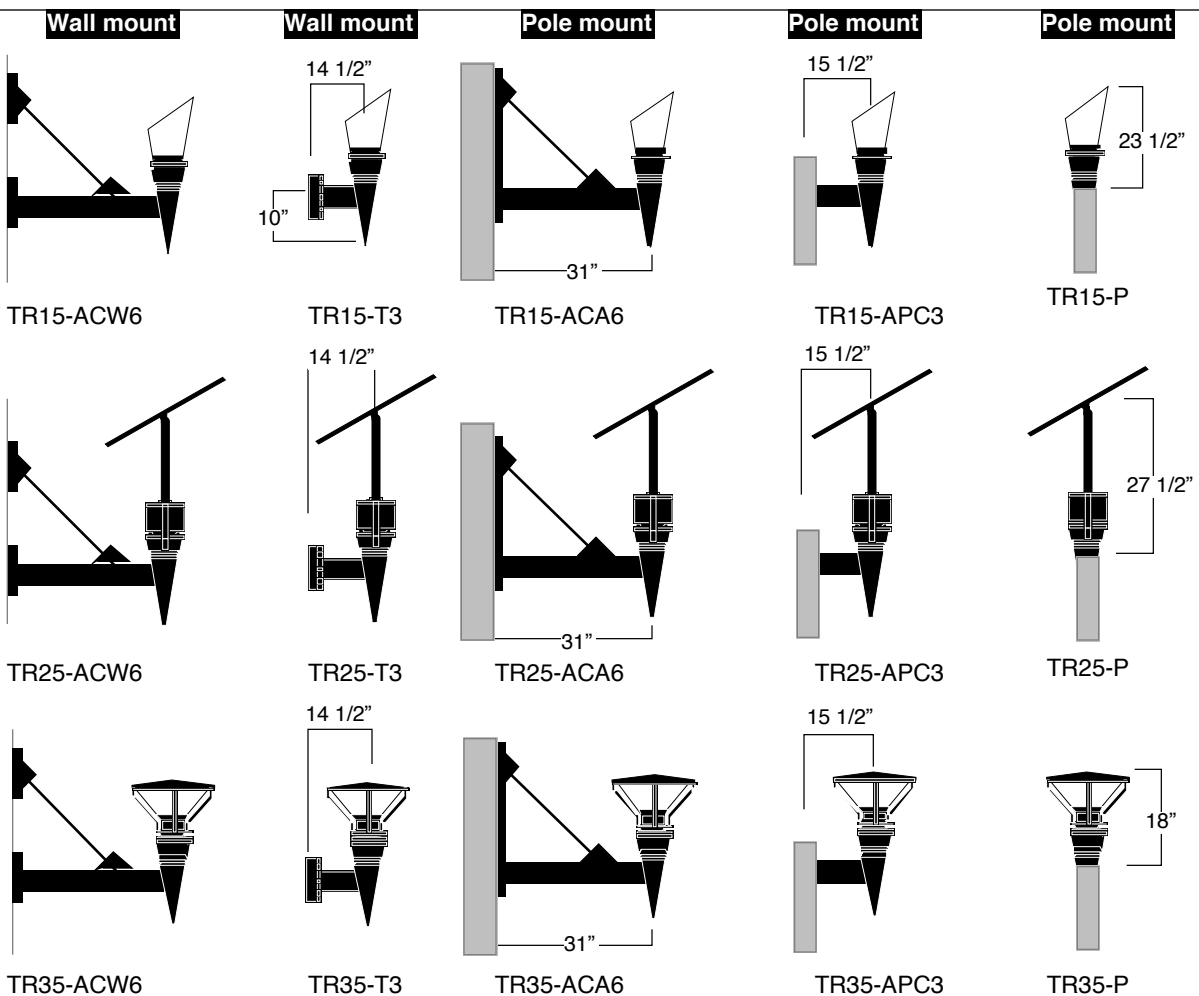
**ACW6**- Wall mount version with independent cast aluminum mounting plates.

**APC3** -EPA: 0.12  
1" X 3" extruded aluminum side pole mounting adaptor. Fits with 4" O.D. pole.

**-P**  
Post top mounting adaptor fits with 4" o.d.x 3 3/4" I.D.pole.

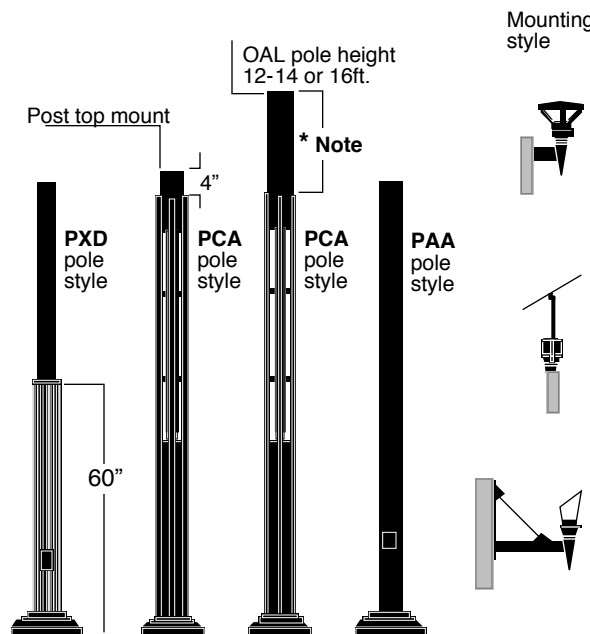
**-T3**  
1" x 3" extruded aluminum wall mounting straight adaptor with cast aluminum cover and galvanized steel mounting plate.

Luminaires may be altered for improvements or discontinued without prior notice.



\* Note:  
36" extension with ACA6 attachment  
24" extension with APC3 attachment

### Compatible poles listing.



Post side mount with APC3 attachment accessory				Pole height
4" O.D.	5" O.D.	4" O.D.	4" O.D.	
PAA410-APC	PAA510-APC		PXD10-APC	10 ft
PAA412-APC	PAA512-APC	PCA12-APC	PXD12-APC	12 ft
PAA414-APC	PAA514-APC	PCA14-APC	PXD14-APC	14 ft
PAA416-APC	PAA516-APC	PCA16-APC	PXD16-APC	16 ft
PAA418-APC	PAA518-APC		PXD18-APC	18 ft
PAA420-APC	PAA520-APC		PXD20-APC	20 ft
Post top mounting				
PAA410-A				10 ft
PAA412-A		PCA12-A	PXD12-A	12 ft
PAA414-A		PCA14-A	PXD14-A	14 ft
PAA416-A		PCA16-A	PXD16-A	16 ft
PAA418-A		PCA18-A	PXD18-A	18 ft
PAA420-A			PXD20-A	20 ft
Post side mount with ACA6 attachment accessory				
PAA414-ACA	PAA514-ACA	PCA14-ACA	PXD14-ACA	14 ft
PAA416-ACA	PAA516-ACA	PCA16-ACA	PXD16-ACA	16 ft
PAA418-ACA	PAA518-ACA		PXD18-ACA	18 ft
PAA420-ACA	PAA520-ACA		PXD20-ACA	20 ft

For poles details and specification, please refer to pages 140 to 144

Luminaires may be altered for design improvements or discontinued without prior notice.