

## JFET Voltage-Controlled Resistors

PRODUCT SUMMARY			
Part Number	V <sub>GS(off)</sub> Max (V)	V <sub>(BR)GSS</sub> Min (V)	r <sub>DS(on)</sub> Max (Ω)
VCR2N	-7	-25	60
VCR4N	-7	-25	600
VCR7N	-5	-25	8000

### FEATURES

- Continuous Voltage-Controlled Resistance
- High Off-Isolation
- High Input Impedance

### BENEFITS

- Gain Ranging Capability/Wide Range Signal Attenuation
- No Circuit Interaction
- Simplified Drive

### APPLICATIONS

- Variable Gain Amplifiers
- Voltage Controlled Oscillator
- AGC

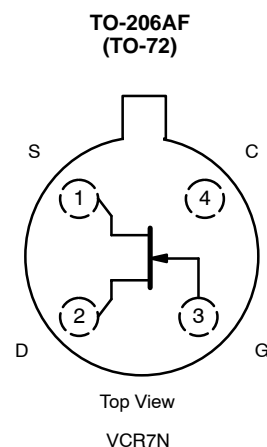
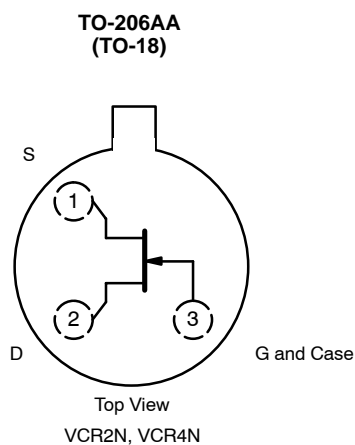
### DESCRIPTION

The VCR2N/4N/7N JFET voltage controlled resistors have an ac drain-source resistance that is controlled by a dc bias voltage (V<sub>GS</sub>) applied to their high impedance gate terminal. Minimum r<sub>DS</sub> occurs when V<sub>GS</sub> = 0 V. As V<sub>GS</sub> approaches the pinch-off voltage, r<sub>DS</sub> rapidly increases. This series of junction FETs is intended for applications where the drain-source voltage is a low-level ac signal with no dc component.

Key to device performance is the predictable r<sub>DS</sub> change versus V<sub>GS</sub> bias where:

$$r_{DS}^{bias} \approx \frac{r_{DS}(@V_{GS} = 0)}{1 - \left| \frac{V_{GS}}{V_{GS(off)}} \right|}$$

These n-channel devices feature r<sub>DS(on)</sub> ranging from 20 to 8000 Ω. All packages are hermetically sealed and may be processed per MIL-S-19500 (see Military Information).



For applications information see AN105.



### ABSOLUTE MAXIMUM RATINGS<sup>a</sup>

Gate-Source, Gate-Drain Voltage .....	-25 V
Gate Current .....	10 mA
Power Dissipation <sup>b</sup> .....	300 mW
Operating Junction Temperature Range .....	-55 to 175°C
Storage Temperature .....	-65 to 200°C

Lead Temperature (1/16" from case for 10 sec.) ..... 300°C

Notes:

- a.  $T_A = 25^\circ\text{C}$  unless otherwise noted.
- b. Derate 2 mW/°C above 25°C.

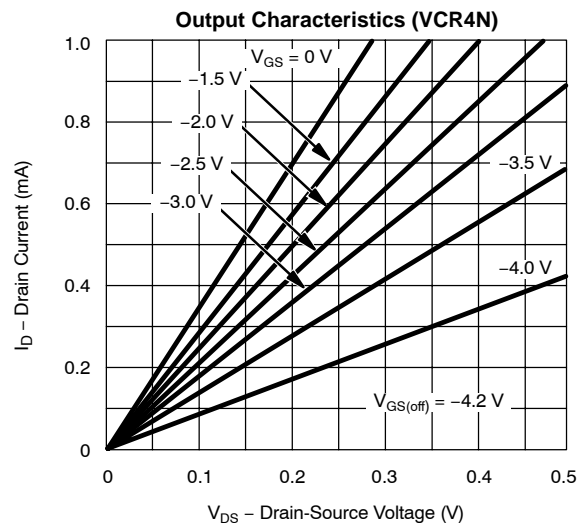
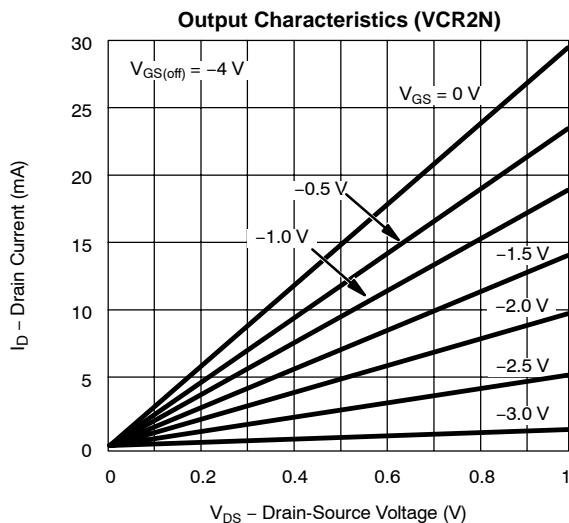
SPECIFICATIONS ( $T_A = 25^\circ\text{C}$ UNLESS OTHERWISE NOTED)										
Parameter	Symbol	Test Conditions	Typ <sup>a</sup>	Limits						Unit
				VCR2N		VCR4N		VCR7N		
				Min	Max	Min	Max	Min	Max	
<b>Static</b>										
Gate-Source Breakdown Voltage	$V_{(BR)GSS}$	$I_G = -1 \mu\text{A}, V_{DS} = 0 \text{ V}$	-55	-25		-25		-25		V
Gate-Source Cutoff Voltage	$V_{GS(off)}$	$V_{DS} = 10 \text{ V}, I_D = 1 \mu\text{A}$		-3.5	-7	-3.5	-7	-2.5	-5	
Gate Reverse Current	$I_{GSS}$	$V_{GS} = -15 \text{ V}, V_{DS} = 0 \text{ V}$			-5		-0.2		-0.1	nA
Drain-Source On-Resistance	$r_{DS(on)}$	$V_{GS} = 0 \text{ V}, I_D = 10 \text{ mA}$		20	60					Ω
		$V_{GS} = 0 \text{ V}, I_D = 1 \text{ mA}$				200	600			
		$V_{GS} = 0 \text{ V}, I_D = 0.1 \text{ mA}$						4000	8000	
Gate-Source Forward Voltage	$V_{GS(F)}$	$V_{DS} = 0 \text{ V}, I_G = 1 \text{ mA}$	0.7							V
<b>Dynamic</b>										
Drain-Source On-Resistance	$r_{ds(on)}$	$V_{GS} = 0 \text{ V}, I_D = 0 \text{ mA}$ $f = 1 \text{ kHz}$		20	60	200	600	4000	8000	Ω
Drain-Gate Capacitance	$C_{dg}$	$V_{GD} = -10 \text{ V}, I_S = 0 \text{ mA}$ $f = 1 \text{ MHz}$			7.5		3		1.5	pF
Source-Gate Capacitance	$C_{sg}$	$V_{GS} = -10 \text{ V}, I_D = 0 \text{ mA}$ $f = 1 \text{ kHz}$			7.5		3		1.5	

Notes:

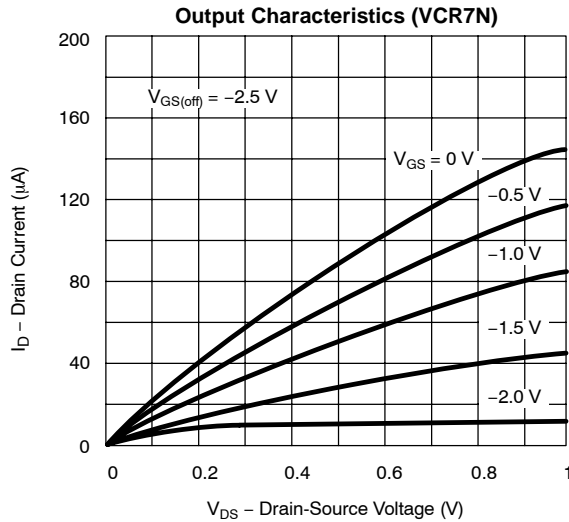
- a. Typical values are for DESIGN AID ONLY, not guaranteed nor subject to production testing.

NCB/NPA/NT

### TYPICAL CHARACTERISTICS ( $T_A = 25^\circ\text{C}$ UNLESS OTHERWISE NOTED)



**TYPICAL CHARACTERISTICS (T<sub>A</sub> = 25 °C UNLESS OTHERWISE NOTED)**



**APPLICATIONS**

A simple application of a FET VCR is shown in Figure 1, the circuit for a voltage divider attenuator.

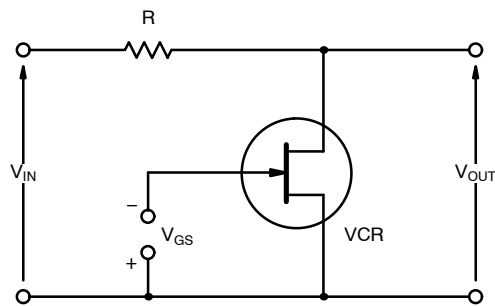


FIGURE 1. Simple Attenuator Circuit

The output voltage is:

$$V_{OUT} = \frac{V_{IN} r_{DS}}{R + r_{DS}}$$

It is assumed that the output voltage is not so large as to push the VCR out of the linear resistance region, and that the  $r_{DS}$  is not shunted by the load.

The lowest value which  $V_{OUT}$  can assume is:

$$V_{OUT(min)} = \frac{V_{IN} r_{DS(on)}}{R + r_{DS(on)}}$$

Since  $r_{DS}$  can be extremely large, the highest value is:

$$V_{OUT(max)} = V_{IN}$$



## Notice

Specifications of the products displayed herein are subject to change without notice. Vishay Intertechnology, Inc., or anyone on its behalf, assumes no responsibility or liability for any errors or inaccuracies.

Information contained herein is intended to provide a product description only. No license, express or implied, by estoppel or otherwise, to any intellectual property rights is granted by this document. Except as provided in Vishay's terms and conditions of sale for such products, Vishay assumes no liability whatsoever, and disclaims any express or implied warranty, relating to sale and/or use of Vishay products including liability or warranties relating to fitness for a particular purpose, merchantability, or infringement of any patent, copyright, or other intellectual property right.

The products shown herein are not designed for use in medical, life-saving, or life-sustaining applications. Customers using or selling these products for use in such applications do so at their own risk and agree to fully indemnify Vishay for any damages resulting from such improper use or sale.