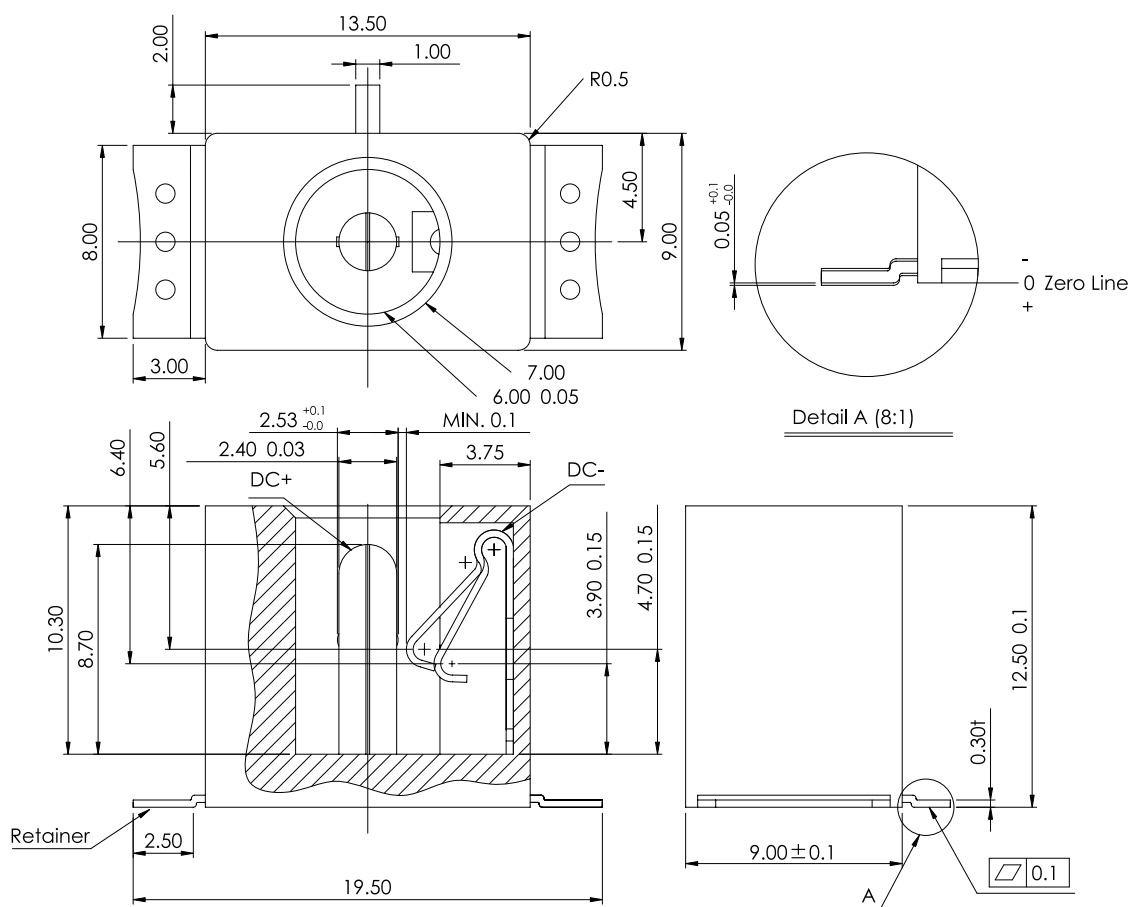


040169FA Series

Specifications:

- **Insulator Material** : Black High Temp. Plastic
- **Operating Type Range** : -40°C TO +105°C
- **Terminal Material** : Phos. Bronze
- **Platings** : Contact Gold Plated
- **Max. Current Rating** : 1.5A
- **Max. Voltage Rating** : 115V AC
- **Dielectric Strength** : 500V AC For 60 Seconds



Order Information

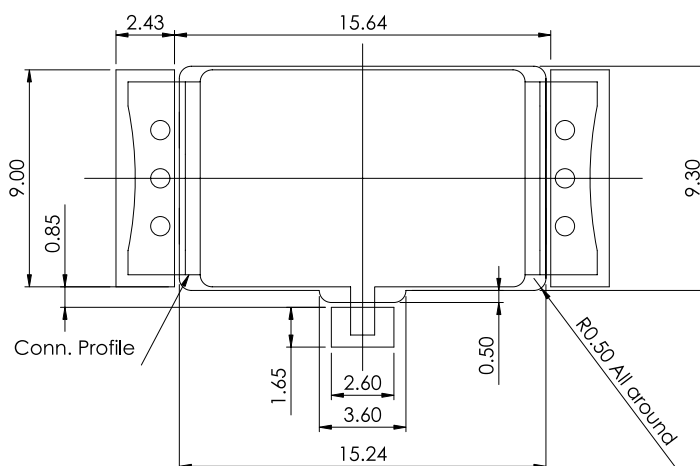
040169FA003□□00ZU
 1 2 3 4 5

1. 'A': Straight SMT Type
2. No. of pins.
3. Plating
4. Color 'Z': Black
5. Package

'U': Tube Package Without Cap

Reference Page 11

Recommended P.C.B Layout



Mobile

AUDIO JACK