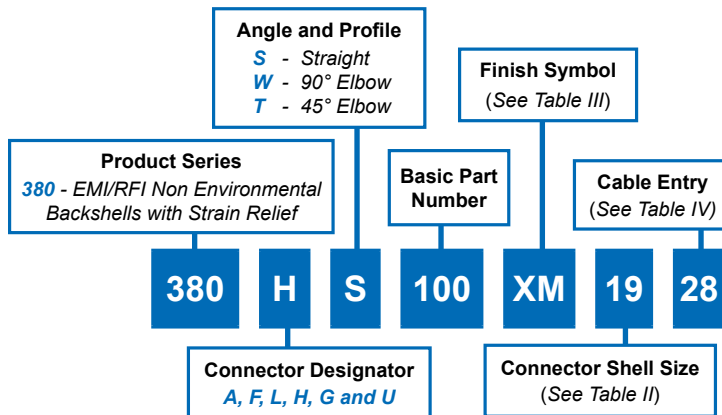




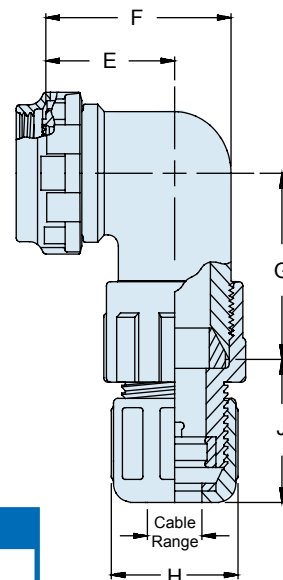
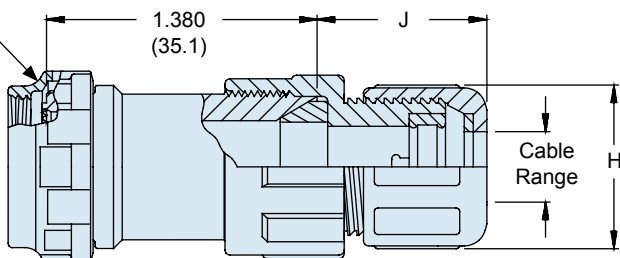
# 380-100 Composite Cone and Ring Style EMI/RFI Shield Termination Backshell with Self-Locking Rotatable Coupling and Qwik Clamp

A

| CONNECTOR DESIGNATOR:     |   |
|---------------------------|---|
| <b>A</b>                  | MIL-DTL-5015, -26482 Series II, and -83723 Series I and III |
| <b>F</b>                  | MIL-DTL-38999 Series I, II                                  |
| <b>L</b>                  | MIL-DTL-38999 Series 1.5 (JN1003)                           |
| <b>H</b>                  | MIL-DTL-38999 Series III and IV                             |
| <b>G</b>                  | MIL-DTL-28840   |
| <b>U</b>                  | DG123 and DG123A  |
| <b>SELF-LOCKING</b>       |   |
| <b>ROTATABLE COUPLING</b> |   |
| <b>STANDARD PROFILE</b>   |   |



Anti-Decoupling Device



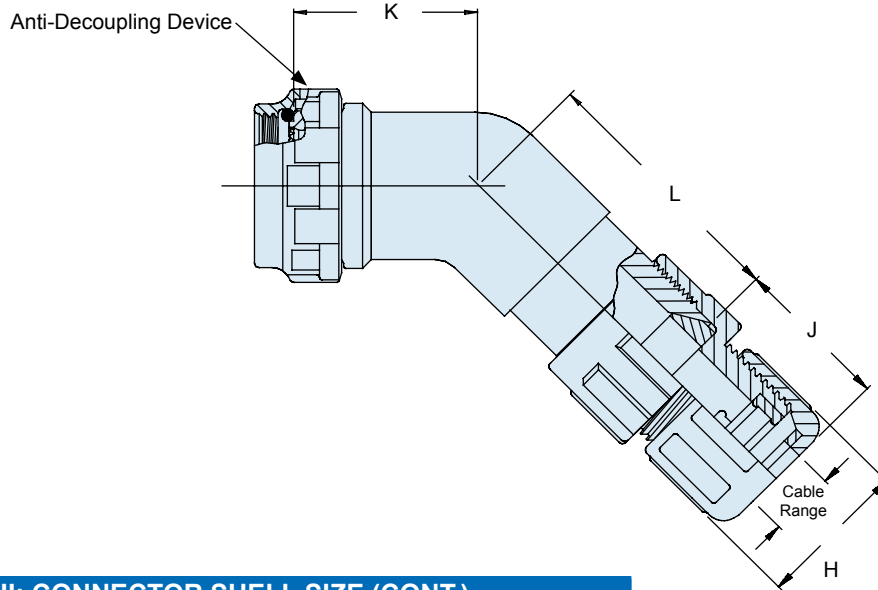
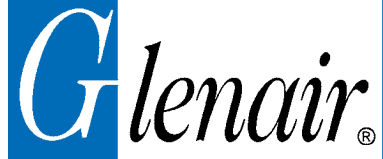
**TABLE II: CONNECTOR SHELL SIZE**

| Shell Size For Connector Designator |     |    |    |    | E           | F           | G           | Max Entry  |
|-------------------------------------|-----|----|----|----|-------------|-------------|-------------|------------|
| A                                   | F/L | H  | G  | U  | ± .06 (1.5) | ± .09 (2.3) | ± .09 (2.3) | Dash No.** |
| 08                                  | 08  | 09 | -  | -  | .69 (17.5)  | .88 (22.4)  | 1.06 (26.9) | 08         |
| 10                                  | 10  | 11 | -  | 08 | .75 (19.1)  | 1.00 (25.4) | 1.13 (28.7) | 12         |
| 12                                  | 12  | 13 | 11 | 10 | .81 (20.6)  | 1.13 (28.7) | 1.19 (30.2) | 16         |
| 14                                  | 14  | 15 | 13 | 12 | .88 (22.4)  | 1.31 (33.3) | 1.25 (31.8) | 20         |
| 16                                  | 16  | 17 | 15 | 14 | .94 (23.9)  | 1.38 (35.1) | 1.31 (33.3) | 24         |
| 18                                  | 18  | 19 | 17 | 16 | .97 (24.6)  | 1.44 (36.6) | 1.34 (34.0) | 28         |
| 20                                  | 20  | 21 | 19 | 18 | 1.06 (26.9) | 1.63 (41.4) | 1.44 (36.6) | 32         |
| 22                                  | 22  | 23 | -  | 20 | 1.13 (28.7) | 1.75 (44.5) | 1.50 (38.1) | 36         |
| 24                                  | 24  | 25 | 23 | 22 | 1.19 (30.2) | 1.88 (47.8) | 1.56 (39.6) | 40         |
| 28                                  | -   | -  | 25 | 24 | 1.34 (34.0) | 2.13 (54.1) | 1.66 (42.2) | 44         |

\*\*Consult factory for additional entry sizes available.  
See introduction for additional connector front-end details.

**US PATENT 5211576**

**380-100**  
**Composite Cone and Ring Style**  
**EMI/RFI Shield Termination Backshell**  
**with Self-Locking Rotatable Coupling and Qwik Clamp**



**TABLE II: CONNECTOR SHELL SIZE (CONT.)**

| Shell Size For Connector Designator |    | K     |        | L     |        | Max Entry Dash No. * |
|-------------------------------------|----|-------|--------|-------|--------|----------------------|
| A & F/L                             | H  | ± .06 | (1.5)  | ± .06 | (1.5)  |                      |
| 08                                  | 09 | .72   | (18.3) | .88   | (22.4) | 08                   |
| 10                                  | 11 | .75   | (19.1) | .94   | (23.9) | 12                   |
| 12                                  | 13 | .75   | (19.1) | 1.00  | (25.4) | 16                   |
| 14                                  | 15 | .76   | (19.3) | 1.03  | (26.2) | 20                   |
| 16                                  | 17 | .78   | (19.8) | 1.06  | (26.9) | 24                   |
| 18                                  | 19 | .79   | (20.1) | 1.07  | (27.2) | 28                   |
| 20                                  | 21 | .82   | (20.8) | 1.09  | (27.7) | 32                   |
| 22                                  | 23 | .86   | (21.8) | 1.14  | (29.0) | 36                   |
| 24                                  | 25 | .92   | (23.4) | 1.17  | (29.7) | 40                   |

\* Consult factory for additional entry sizes available.

**NOTES**

1. Coupling nut supplied unplated.
2. See Table I in Intro for front-end dimensional details.
3. Metric dimensions (mm) are in parentheses and are for reference only.

**TABLE IV: CABLE ENTRY**

| Entry Code | H (Max)     | J (Max)     | Cable Range |             |  |
|------------|-------------|-------------|-------------|-------------|--|
|            |             |             | Minimum     | Maximum     |  |
| 08         | .72 (18.3)  | .87 (22.1)  | .10 (2.5)   | .25 (6.4)   |  |
| 12         | .91 (23.1)  | 1.01 (25.7) | .20 (5.1)   | .38 (9.7)   |  |
| 16         | 1.09 (27.7) | 1.11 (28.2) | .33 (8.4)   | .50 (12.7)  |  |
| 20         | 1.22 (31.0) | 1.11 (28.2) | .45 (11.4)  | .63 (15.9)  |  |
| 24         | 1.34 (34.0) | 1.11 (28.2) | .52 (13.2)  | .75 (19.1)  |  |
| 28         | 1.53 (38.9) | 1.26 (32.0) | .64 (16.3)  | .88 (22.2)  |  |
| 32         | 1.72 (43.7) | 1.41 (35.8) | .77 (19.6)  | 1.00 (25.4) |  |
| 36         | 1.85 (47.0) | 1.41 (35.8) | .86 (21.8)  | 1.13 (28.6) |  |
| 40         | 1.97 (50.0) | 1.41 (35.8) | .98 (24.9)  | 1.25 (31.8) |  |
| 44         | 2.09 (53.1) | 1.53 (38.9) | 1.13 (28.6) | 1.38 (34.9) |  |

**TABLE III: FINISH**

| Symbol | Finish Description   |
|--------|--|
| XM     | 2000 Hour Corrosion Resistant Electroless Nickel   |
| XMT    | 2000 Hour Corrosion Resistant Ni-PTFE, Nickel-Fluorocarbon Polymer. <i>1000 Hour Grey™</i> |
| XW     | 2000 Hour Corrosion Resistant Cadmium/Olive Drab over Electroless Nickel                   |