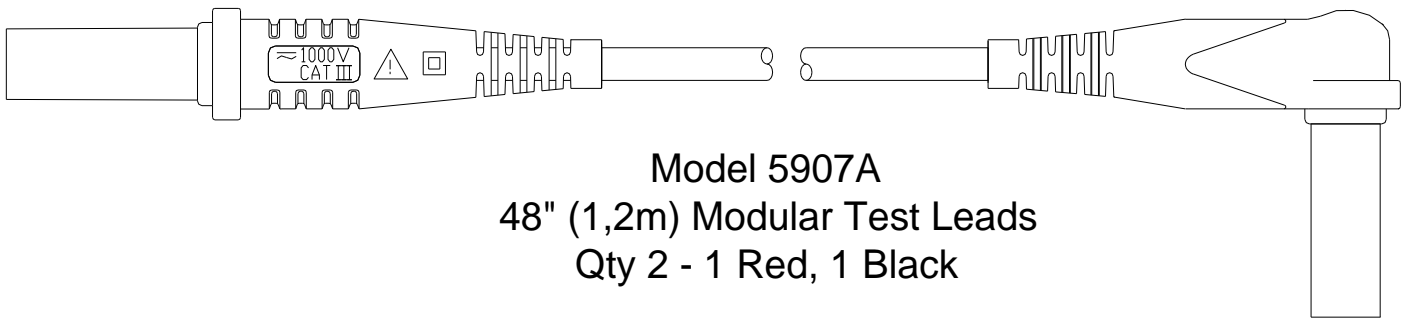




**Model 6479**  
**Stainless Steel Sharp Tip Modular Probe**  
**Qty 2 -1 Red, 1 Black**



**Model 5907A**  
**48" (1,2m) Modular Test Leads**  
**Qty 2 - 1 Red, 1 Black**

For data sheets / specifications of the kit individual components, visit the Pomona web site at:  
[www.pomonaelectronics.com](http://www.pomonaelectronics.com)

## FEATURES:

- ✓ Designed to meet IEC 1010-2-31, the latest international safety standard for test accessories.
- ✓ Probe safety jack mates to Pomona's 5907A, 5908A and 5909A Flexible Test Leads.
- ✓ Stainless Steel tip mates into standard 0.080" pin jacks.
- ✓ Flexible test lead sets are a perfect interface for the most popular multimeters configured with 4 mm sheathed safety jacks, including Fluke, H-P, Tektronix and Wavetek.
- ✓ Plug and housing are molded directly to the cable in an integral one piece design and the wire is double crimped for a long lasting connection.
- ✓ Multi-leaf banana spring material is Beryllium Copper, nickel plated for extended insertion cycle life and low contact resistance.
- ✓ High strand count silicone insulated wire offers excellent flexibility and high temperature resistance.
- ✓ Test leads can mate to a broad assortment of Pomona probes, alligators, spade lugs, etc.

All dimensions are in inches. Tolerances (except noted): .xx = ±.02" (.51 mm), .xxx = ±.005" (.127 mm).

All specifications are to the latest revisions. Specifications are subject to change without notice.

Registered trademarks are the property of their respective companies.

Sales: 800-490-2361 Fax: 888-403-3360 Technical Assistance: 800-241-2060  
For "Where to Buy" information, visit the Pomona web site at [www.pomonaelectronics.com](http://www.pomonaelectronics.com)

## Pomona<sup>®</sup>

The items included with this product are certified to meet IEC 1010-2-031 safety requirements.

Les éléments inclus avec ce produit sont certifiés pour répondre à des exigences de sûreté du IEC 1010-2-031.

Los items incluidos con este producto se certifican para resolver requisitos de seguridad del IEC 1010-2-031.

– Only IEC 1010 type shrouded test plugs should be used with IEC 1010 type jacks. NEVER INSERT A PROBE TIP WITH BANANA SPRING INTO A TEST ACCESSORY JACK THAT WILL BE USED AS A HAND HELD PROBING DEVICE

–Seuls les vérificateurs de tension renforcés de type IEC 1010 devraient être utilisés avec des jacks de type IEC 1010. NE JAMAIS INSERER DE BOUT DE SONDE AVEC RESSORT BANANE DANS UN JACK D'ESSAI D'ACCESSOIRES QUI SERA UTILISE COMME DISPOSITIF DE SONDAGE A MAIN.

–Se deben usar sólo tapones de prueba reforzados del tipo IEC 1010 con receptáculos de tipo IEC 1010. NUNCA INTRODUZCA UNA CLAVIJA CON UN MUELLE TIPO BANANA EN UN RECEPTACULO DE PRUEBA QUE A SU VEZ SE USE COMO APARATO DE PRUEBA MANUAL.



Both Direct and Alternating Current.  
Courant Continu et Alternatif.  
Corriente Directa y Alterna.



Caution ! Refer to Accompanying Documents.  
Attention ! Se Reporter aux Documents joints.  
; Peligro! Consulte los Documentos Adjuntos.



Double Insulation or Reinforced Insulation.  
Isolation Double ou Isolation Renforcée.  
Aislamiento Doble o Aislamiento Reforzado.



Caution ! Risk of Electric Shock.  
Attention ! Risque de Choc Électrique.  
; Peligro! Riesgo de Sacudida Eléctrica.

CAT

Overvoltage Category I, II, III or IV.  
Surtension Catégorie I, II, III ou IV.  
Sobretensión de Categoría I, II III o IV.

Pomona Electronics **CE**

PO Box 9090, Everett, WA 98206-9090 TEL: 800-490-2361

All dimensions are in inches. Tolerances (except noted): .xx = ±.02" (.51 mm), .xxx = ±.005" (.127 mm).

All specifications are to the latest revisions. Specifications are subject to change without notice.

Registered trademarks are the property of their respective companies.

Sales: 800-490-2361 Fax: 888-403-3360 Technical Assistance: 800-241-2060  
For "Where to Buy" information, visit the Pomona web site at [www.pomonaelectronics.com](http://www.pomonaelectronics.com)