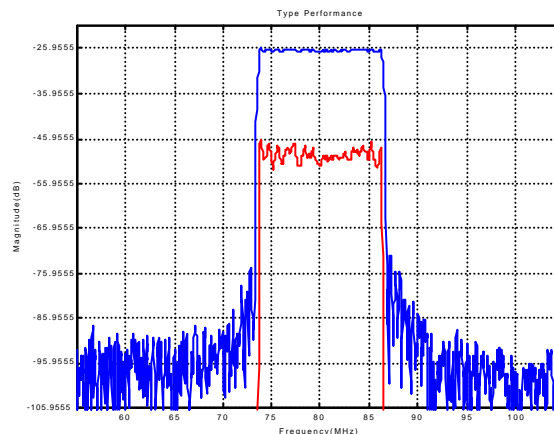




LBN08013 SAW Filter Electrical Characteristic

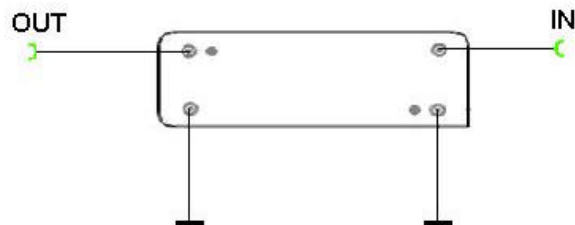
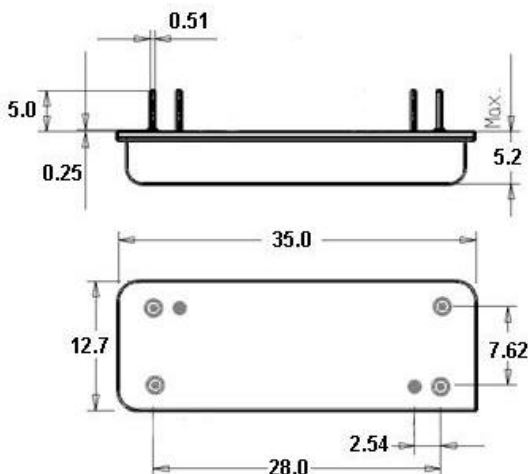
Specifications				
Parameter	Unit	Minimum	Typical	Maximum
Center Frequency	MHz	79.875	80	80.125
Insertion Loss	dB		25.9	28
1.5 dB Bandwidth	MHz	12.5	12.59	
18 dB Bandwidth	MHz		13.26	13.3
25 dB Bandwidth	MHz		13.38	13.6
30 dB Bandwidth	MHz		13.45	13.8
40 dB Bandwidth	MHz		13.55	14.9
Passband variation	dB		0.6	1.5
Absolute Delay	usec		2.63	2.65
Ultimate Rejection	dB	40	45	
Substrate Material		YZ LN		
Ambient Temperature	°C	25		
Package Size	DIP3512 (35.0x12.7x5.2mm ³)			

Typical Performance



Package Outline

Matching Configuration



Source/Load Impedance = 50 ohm