

# LCC-16J2, LCD Character Module 16 x 2



## ■ FEATURES

- ◆ 5 x 7 DOTS WITH CURSOR
- ◆ BUILT-IN CONTROLLER (KS0066 OR EQUIVALENT)
- ◆ 5 V POWER SUPPLY
- ◆ 1/16 DUTY CYCLE
- ◆ 4.2 V LED FORWARD VOLTAGE

## ■ MECHANICAL DATA

| ITEM                      | DIMENSIONS                     | UNIT |
|---------------------------|--------------------------------|------|
| Module Size (W x H x T)   | 85.0 x 30.0 x 8.8 ( 12.7 LED ) | mm   |
| Viewing Area ( W x H )    | 65.0 x 16.0                    | mm   |
| Character Size ( W x H )  | 2.96 x 5.56                    | mm   |
| Character Pitch ( W x H ) | 3.55 x 5.94                    | mm   |
| Dot Size ( W x H )        | 0.56 x 0.66                    | mm   |
| Dot Pitch ( W x H )       | 0.60 x 0.70                    | mm   |

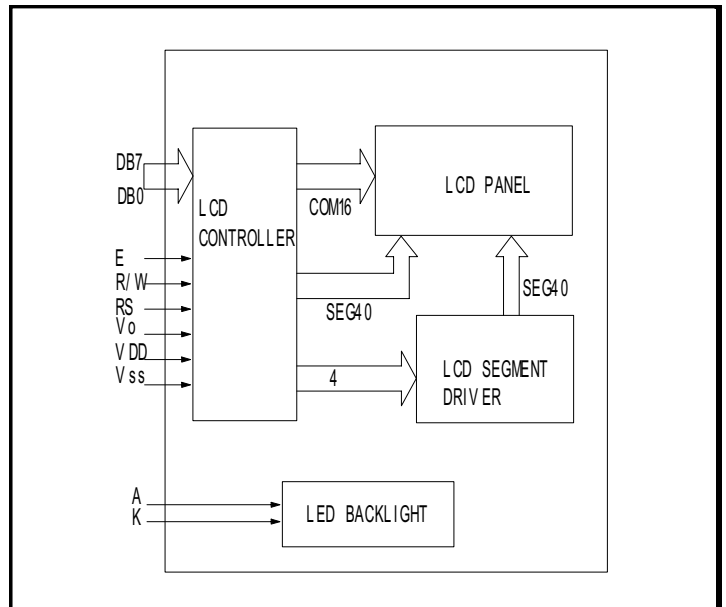
## ■ INTERFACE PIN CONNECTIONS

| NO. | SYMBOL          | FUNCTION        | NO. | SYMBOL | FUNCTION   |
|-----|-----------------|-----------------|-----|--------|------------|
| 1   | V <sub>DD</sub> | Supply Voltage  | 9   | DB2    | Data Bit 2 |
| 2   | V <sub>SS</sub> | Supply Ground   | 10  | DB3    | Data Bit 3 |
| 3   | V <sub>O</sub>  | Contrast Adj.   | 11  | DB4    | Data Bit 4 |
| 4   | RS              | Register Select | 12  | DB5    | Data Bit 5 |
| 5   | R/W             | Read/Write      | 13  | DB6    | Data Bit 6 |
| 6   | E               | Enable Signal   | 14  | DB7    | Data Bit 7 |
| 7   | DB0             | Data Bit 0      |     |        |            |
| 8   | DB1             | Data Bit 1      |     |        |            |

## ■ ELECTRICAL CHARACTERISTICS

| ITEM                  | SYMBOL                         | CONDITION       | MIN. | TYP. | MAX. | UNIT              |
|-----------------------|--------------------------------|-----------------|------|------|------|-------------------|
| LCD Operating Voltage | V <sub>DD-V<sub>O</sub></sub>  | T=0 °C          | -    | 4.8  | -    | V                 |
|                       |                                | T=25 °C         | -    | 4.5  | -    | V                 |
|                       |                                | T=50 °C         | -    | 4.2  | -    | V                 |
| Supply Voltage        | V <sub>DD-V<sub>SS</sub></sub> | -               | 4.7  | 5    | 5.3  | V                 |
| Supply Current        | I <sub>DD</sub>                | -               | -    | 2    | 4    | mA                |
| Input Voltage         | "HIGH" Level                   | V <sub>IH</sub> | -    | 2.2  | -    | V <sub>DD</sub> V |
|                       | "LOW" Level                    | V <sub>IL</sub> | -    | 0    | -    | 0.6 V             |
| Output Voltage        | "HIGH" Level                   | V <sub>OH</sub> | -    | 2.4  | -    | V                 |
|                       | "LOW" Level                    | V <sub>OL</sub> | -    | -    | -    | 0.4 V             |

## ■ BLOCK DIAGRAM



## ■ EXTERNAL DIMENSIONS

