

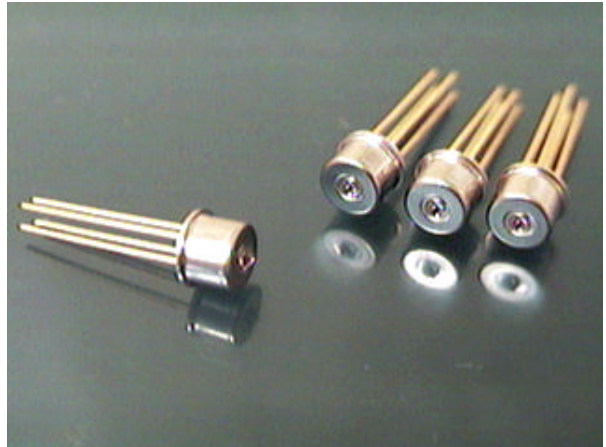
## 1.25 Gbps PIN-TIA (1310nm) 3.3V & 5V

### Features

- ˆ 1.25 Gbps typical bandwidth.
- ˆ InGaAs/InP PIN Detector with transimpedance amplifier in a TO-46 hermetic package.
- ˆ High sensitivity with AGC.
- ˆ Differential ended output
- ˆ +3.3V & +5V operation.

### Applications

- ◆ **Optical Communication Receiver / Transceiver**
  - SONET OC-24/SDH STM-8
  - Gigabit Ethernet
  - Fiber Channel



### Handling and Safety Precautions

Anti-static protection, such as ionized air blowers or grounded wrist straps with a 1 mega series resistor, should be used at all times when handling laser diodes. In addition, soldering irons should be well grounded.

Overheating caused by soldering of the leads of a laser diode must be prevented. Recommend soldering iron temperature and maximum exposure time are below 260°C and 10 seconds.

### Description

The MCD-3T4C-323 is a high performance 1310 nm InGaAs/InP PIN detector with transimpedance-amplifier .This product is designed for short and medium distance optical fiber communication.

The MCD-3T4C-323 is compatible with industry standard wave or hand solder processes.

· Absolute Maximum Ratings (Tc = 25 °C)

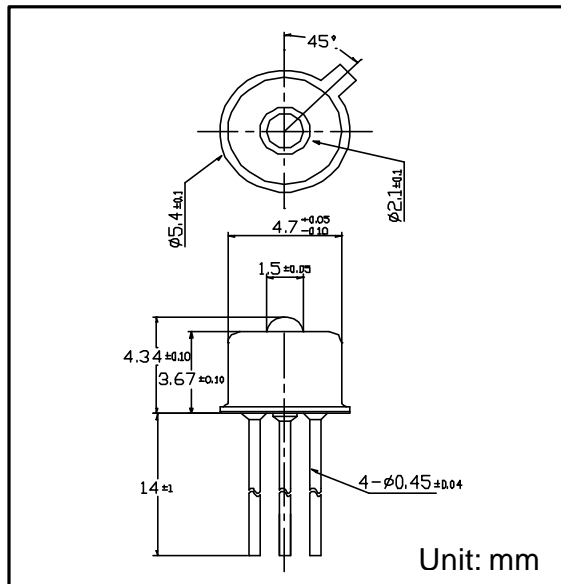
Parameter	Symbol	Rated Value	Unit
Voltage	V	6	V
Operating case temperature	Top	- 40 to +85	°C
Storage temperature	T <sub>STG</sub>	- 40 to +85	°C

· DC/ Electrical Characteristics (Tc = 25 °C)

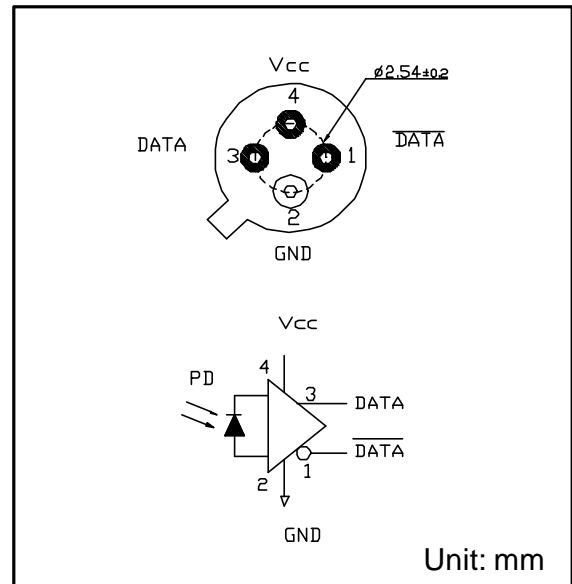
Parameter	Symbol	Min.	Typ.	Max.	Unit
Supply power	V <sub>cc</sub>	3.0	-	5	V
Differential Output Voltage	V <sub>d</sub>	-	-	0.33	V
Supply current (no load)	I <sub>cc</sub>	-	-	45	mA

· AC/ Optical & Electrical Characteristics (Tc = 25 °C)

Parameter	Symbol	Test Conditions	Min.	Typ.	Max.	Unit
Detection Range			1100	1310	1650	nm
Active Area			-	75	-	μm
Gain@10Mbps Differential	G	λ=1300nm	-	8.3	-	V/mW
Bandwidth	BW		850	-	-	MHz
Saturation Power	Psat	λ=1300nm	-3	0	-	dBm
Sensitivity	Sens	BER=10 <sup>-10</sup> @1.25Gbps	-	-24	-21	dBm
Output Resistance	R <sub>out</sub>		-	50	-	ohm
Operation Speed			-	1.25	-	Gbps



**Package Dimensions**



**Pin Connections ( Bottom View )**

NOTE: Specifications are subjected to change without notice.

Unity Opto Technology Co., Ltd.

10 F, No. 88-8, Sec. 1, Kuang-Fu Rd.,  
Sanchung City, 241 Taipei, Taiwan

For prototype and Production call

TEL: 886 - 2 -2999 - 3988  
FAX: 886 - 2 -2999- 3910  
REV.:A 9/30/2002