

Open Air Zero Ohm Jumpers



OARSZ Series

- Flameproof
- Low termination stress
- Lead flexible for thermal expansion
- Solderable pads (60/40 solder pads)
- Open air design provides collar operation
- Off board design ideal for high voltage applications

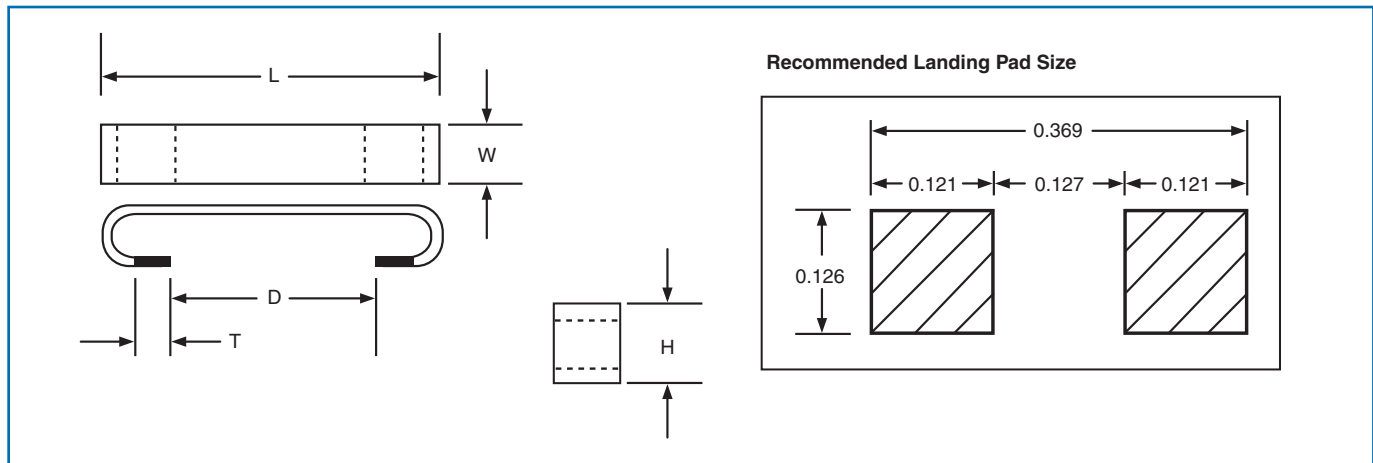
Applications:

Zerohm Jumpers or Crossovers are basically interconnection devices between points on a PC board. Typically, they are used to connect two points on a PC board due to other circuit paths which must be crossed over. The OARS Jumper is supplied on tape and reel to support high volume placement.

OARS Zero Ohm Specifications:

- 65 amp continuous @25°C (Board Dependent)
- The dielectric withstanding characteristic of typical jumpers is limited by their encapsulation. However, dielectric withstanding of the OARS style jumper is limited only by: 1) physical separation of the solder pads; and 2) the height of the part off the pc board.

Physical Data



Dimensions (Inches and (mm))

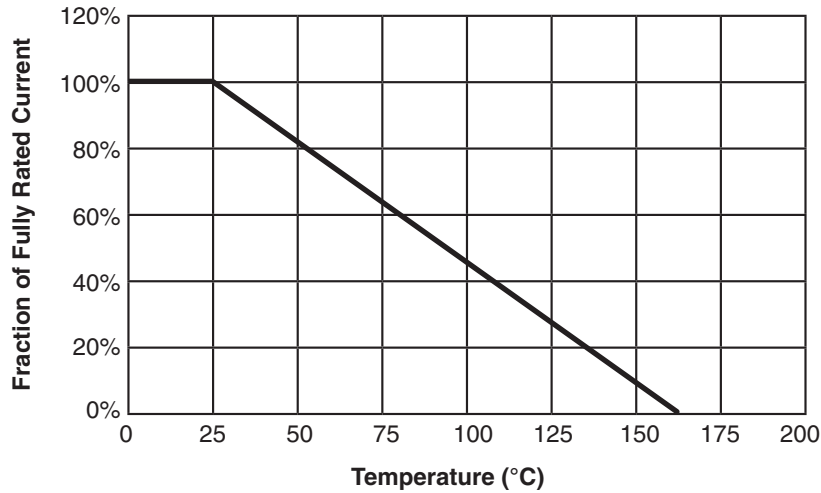
IRC Type	L	H	T	D	W
OARS-1Z	0.435 ±0.010 (11.5 ±0.254)	0.130 ±0.006 (3.3 ±0.152)	0.093 ±0.010 (2.36 ±0.25)	0.170 ±0.015 (4.31 ±0.381)	0.13 ±0.010 (3.3 ±0.254)

General Note

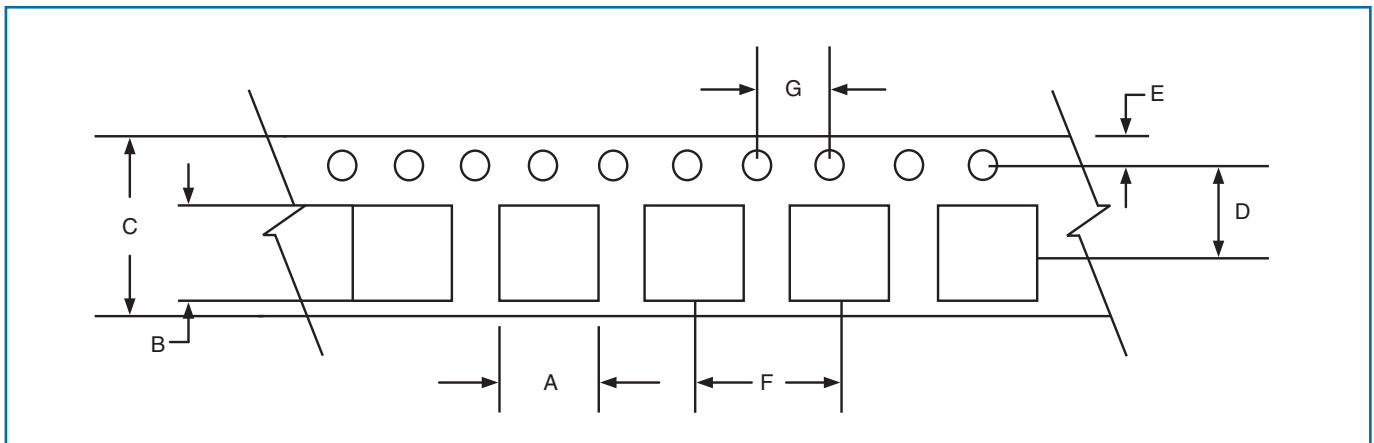
IRC reserves the right to make changes in product specification without notice or liability. All information is subject to IRC's own data and is considered accurate at time of going to print.

Open Air Zero Ohm Jumpers

Power Derating Curve



Tape Specifications



Dimensions (Inches and (mm))

IRC Type	A	B	C	D	E	F	G
OARS	0.17 ±0.003 (4.32 ±0.08)	0.461 ±0.003 (11.7 ±0.08)	0.945 ±0.010 (24.0 ±0.30)	0.453 ±0.004 (11.5 ±0.10)	0.069 ±0.004 (1.75 ±0.10)	0.315 ±0.004 (8.0 ±0.10)	0.157 ±0.004 (4.0 ±0.1)

Ordering Data

Sample Part No. **OARS-1Z**

IRC Type
13 inch reel, 1900 pcs. per reel