

Features

- Formerly *JW.Miller* model
- 0603 size
- Available in E12 series
- High Q up to 35 typ.
- High operating temperature of 125 °C
- Lead free

Applications

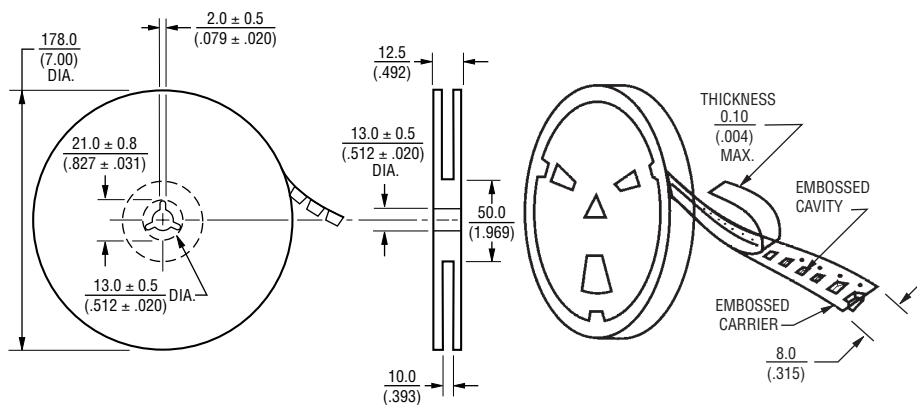
- Mobile phones
- Cellular phones
- CTV, VCR, HIC, FDD

PM0603 Series - High Q Chip Inductors

Electrical Specifications

| Bourns Part No. | Inductance | | Q Min. | Test Frequency (MHz) | | SRF Min. (MHz) | RDC (Ω) | I rms Max. (mA) |
|-----------------|------------|--------|-----------|----------------------|-----|----------------------|------------|-----------------------|
| | nH | Tol. % | | L | Q | | | |
| PM0603-2N2-RC | 2.2 | ±15 | 16 | 250 | 250 | 6000 | 0.08 | 700 |
| PM0603-3N9-RC | 3.9 | ±10 | 16 | 250 | 250 | 6000 | 0.08 | 700 |
| PM0603-4N7-RC | 4.7 | ±10 | 16 | 250 | 250 | 5800 | 0.10 | 700 |
| PM0603-6N8J-RC | 6.8 | ±5 | 25 | 250 | 250 | 5800 | 0.11 | 700 |
| PM0603-8N2J-RC | 8.2 | ±5 | 30 | 250 | 250 | 5000 | 0.11 | 700 |
| PM0603-10NJ-RC | 10 | ±5 | 30 | 250 | 250 | 4800 | 0.13 | 700 |
| PM0603-12NJ-RC | 12 | ±5 | 30 | 250 | 250 | 4000 | 0.13 | 700 |
| PM0603-15NJ-RC | 15 | ±5 | 30 | 250 | 250 | 4000 | 0.17 | 700 |
| PM0603-18NJ-RC | 18 | ±5 | 30 | 250 | 250 | 3100 | 0.17 | 700 |
| PM0603-22NJ-RC | 22 | ±5 | 35 | 250 | 250 | 3000 | 0.19 | 700 |
| PM0603-27NJ-RC | 27 | ±5 | 35 | 250 | 250 | 2800 | 0.22 | 600 |
| PM0603-33NJ-RC | 33 | ±5 | 35 | 250 | 250 | 2300 | 0.22 | 600 |
| PM0603-39NJ-RC | 39 | ±5 | 35 | 250 | 250 | 2200 | 0.25 | 600 |
| PM0603-47NJ-RC | 47 | ±5 | 35 | 200 | 250 | 2100 | 0.28 | 600 |
| PM0603-56NJ-RC | 56 | ±5 | 35 | 200 | 250 | 1900 | 0.31 | 600 |
| PM0603-68NJ-RC | 68 | ±5 | 35 | 200 | 250 | 1700 | 0.34 | 600 |
| PM0603-72NJ-RC | 72 | ±5 | 34 | 200 | 250 | 1700 | 0.49 | 400 |
| PM0603-82NJ-RC | 82 | ±5 | 34 | 150 | 250 | 1700 | 0.54 | 400 |
| PM0603-R10J-RC | 100 | ±5 | 34 | 150 | 250 | 1400 | 0.71 | 400 |
| PM0603-R12J-RC | 120 | ±5 | 32 | 150 | 250 | 1350 | 0.79 | 300 |
| PM0603-R15J-RC | 150 | ±5 | 28 | 150 | 150 | 1300 | 0.92 | 280 |
| PM0603-R18J-RC | 180 | ±5 | 25 | 100 | 100 | 990 | 1.25 | 240 |
| PM0603-R22J-RC | 220 | ±5 | 25 | 100 | 100 | 990 | 1.90 | 200 |
| PM0603-R27J-RC | 270 | ±5 | 25 | 100 | 100 | 990 | 2.30 | 170 |

Packaging Specifications



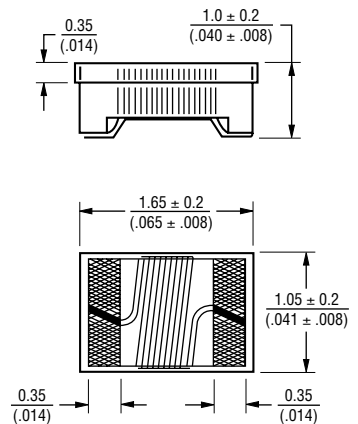
General Specifications

Temperature Rise 20 °C max. at rated current
 Operating Temperature -40 °C to +125 °C
 Storage Temperature -40 °C to +125 °C
 Reflow Soldering .. 230 °C, 50 sec. max.
 Resistance to Soldering Heat 260 °C, 10 seconds

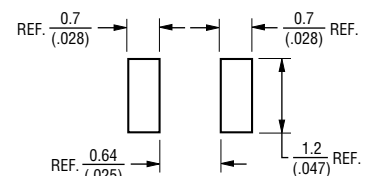
Materials

Core Material Alumina (1CC150707-302291)
 Wire Enamelled Copper (1W1E180)
 Terminal Mo/Mn+Ni+Au
 Encapsulate Epoxy (1EAS-UV300)
 Packaging 3,000 pcs per reel

Product Dimensions



Recommended Layout



DIMENSIONS: $\frac{\text{MM}}{\text{(INCHES)}}$

REV. 10/08

*RoHS Directive 2002/95/EC Jan 27 2003 including Annex.
 Specifications are subject to change without notice.

Customers should verify actual device performance in their specific applications