

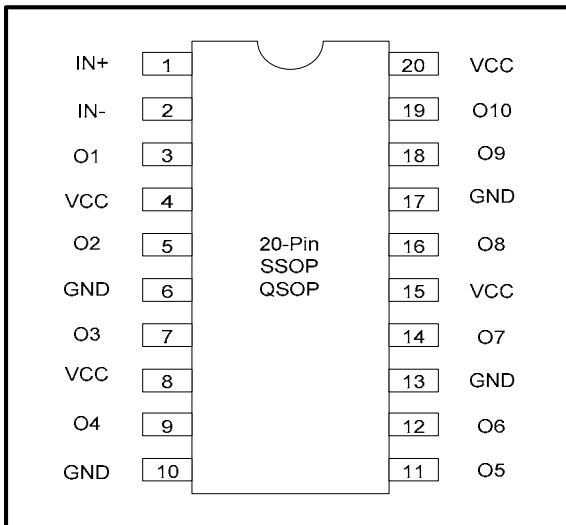
# 400MHz TTL/CMOS Potato Chip

## PO49HSTL3807G

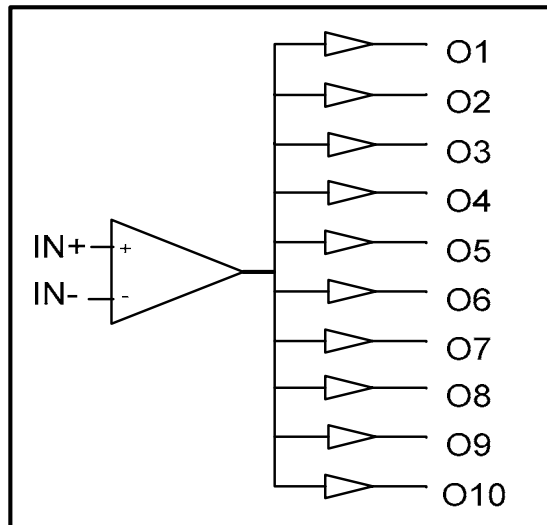
### 3.3V 1:10 Differential to TTL Translator Driver

FEATURES:	DESCRIPTION:
<ul style="list-style-type: none"> <li>. Operating frequency up to 400MHz with 2pf load</li> <li>. Operating frequency up to 300MHz with 5pf load</li> <li>. Operating frequency up to 250MHz with 15pf load</li> <li>. Operating frequency up to 120MHz with 50pf load</li> <li>. Very low output pin to pin skew &lt; 350ps</li> <li>. Very low pulse skew &lt; 100ps</li> <li>. VCC = 1.65V to 3.6V</li> <li>. Propagation delay &lt; 2.7ns max with 15pf load</li> <li>. Low input capacitance: 3pf typical</li> <li>. 1:10 fanout</li> <li>. Available in 20pin 150mil wide QSOP package</li> <li>. Available in 20pin 300mil wide SOIC package</li> </ul>	<p>Potato Semiconductor's PO49HSTL3807G is designed for world top performance using submicron CMOS technology to achieve 400MHz TTL output frequency with less than 100ps output pulse skew.</p> <p>PO49HSTL3807G is a 1.65v to 3.6V 1 high speed comparator inputs to 10 TTL output buffered driver to achieve higher than 400MHz output frequency. Typical applications are HSTL, PECL, LVDS to TTL translator, crystal or ring oscillator, clock and signal distribution.</p>

### Pin Configuration



### Logic Block Diagram



### Pin Description

Pin Name	Description
IN+, IN-	Inputs
O1 to O10	Outputs

# 400MHz TTL/CMOS Potato Chip

## PO49HSTL3807G

### 3.3V 1:10 Differential to TTL Translator Driver

#### Maximum Ratings

Description	Max	Unit
Storage Temperature	-65 to 150	°C
Operation Temperature	-40 to 85	°C
Operation Voltage	-0.5 to +4.6	V
Input Voltage	-0.5 to V <sub>cc</sub> +0.5	V
Output Voltage	-0.5 to V <sub>cc</sub> +0.5	V

**Note:**

stresses greater than listed under Maximum Ratings may cause permanent damage to the device. This is a stress rating only and functional operation of the device at these or any other conditions above those indicated in the operational sections of this specification is not implied. Exposure to absolute maximum rating conditions for extended periods may affect reliability specification is not implied.

#### DC Electrical Characteristics

Symbol	Description	Test Conditions	Min	Typ	Max	Unit
V <sub>OH</sub>	Output High voltage	V <sub>cc</sub> =3V Vin=V <sub>IH</sub> or V <sub>IL</sub> , I <sub>OH</sub> = -12mA	2.4	3	-	V
V <sub>OL</sub>	Output Low voltage	V <sub>cc</sub> =3V Vin=V <sub>IH</sub> or V <sub>IL</sub> , I <sub>OH</sub> =12mA	-	0.3	0.5	V
V <sub>IH</sub>	Input High voltage	Guaranteed Logic HIGH Level (Input Pin)	2	-	V <sub>cc</sub>	V
V <sub>IL</sub>	Input Low voltage	Guaranteed Logic LOW Level (Input Pin)	-0.5	-	0.8	V
I <sub>IH</sub>	Input High current	V <sub>cc</sub> = 3.6V and Vin = 3.6V	-	-	1	uA
I <sub>IL</sub>	Input Low current	V <sub>cc</sub> = 3.6V and Vin = 0V	-	-	-1	uA
V <sub>IK</sub>	Clamp diode voltage	V <sub>cc</sub> = Min. And I <sub>IN</sub> = -18mA	-	-0.7	-1.2	V

**Notes:**

1. For conditions shown as Max. or Min., use appropriate value specified under Electrical Characteristics for the applicable device type.
2. Typical values are at V<sub>cc</sub> = 3.3V, 25 °C ambient.
3. This parameter is guaranteed but not tested.
4. Not more than one output should be shorted at one time. Duration of the test should not exceed one second.
5. V<sub>oH</sub> = V<sub>cc</sub> – 0.6V at rated current

# 400MHz TTL/CMOS Potato Chip

## PO49HSTL3807G

### 3.3V 1:10 Differential to TTL Translator Driver

#### Power Supply Characteristics

Symbol	Description	Test Conditions (1)	Min	Typ	Max	Unit
<b>IccQ</b>	Quiescent Power Supply Current	Vcc=Max, Vin=Vcc or GND	-	<b>0.1</b>	<b>30</b>	<b>uA</b>
<b>ΔIcc</b>	Power Supply Current per Input High	Vcc=Max, Vin= Vcc-0.6V	-	<b>50</b>	<b>300</b>	<b>uA</b>

#### Notes:

1. For conditions shown as Max. or Min., use appropriate value specified under Electrical Characteristics for the applicable device type.
2. Typical values are at Vcc = 3.3V, 25°C ambient.
3. This parameter is guaranteed but not tested.
4. Not more than one output should be shorted at one time. Duration of the test should not exceed one second.
5. VoH = Vcc – 0.6V at rated current

#### Capacitance

Parameters (1)	Description	Test Conditions	Typ	Max	Unit
<b>Cin</b>	Input Capacitance	Vin = 0V	<b>3</b>	<b>4</b>	<b>pF</b>
<b>Cout</b>	Output Capacitance	Vout = 0V	-	<b>6</b>	<b>pF</b>

#### Notes:

- 1 This parameter is determined by device characterization but not production tested.

#### Switching Characteristics

Symbol	Description	Test Conditions (1)	Max	Unit
<b>tPLH</b>	Propagation Delay A to Bn	CL = 15pF	<b>2.7</b>	<b>ns</b>
<b>tPHL</b>	Propagation Delay A to Bn	CL = 15pF	<b>2.7</b>	<b>ns</b>
<b>tr/tf</b>	Rise/Fall Time	0.8V – 2.0V	<b>0.8</b>	<b>ns</b>
<b>tsk(p)</b>	Pulse Skew (Same Package)	CL = 15pF, V+ = 125MHz, V- = 1.5v	<b>0.1</b>	<b>ns</b>
<b>tsk(o)</b>	Output Pin to Pin Skew (Same Package)	CL = 15pF, V+ = 125MHz, V- = 1.5v	<b>0.35</b>	<b>ns</b>
<b>tsk(pp)</b>	Output Skew (Different Package)	CL = 15pF, V+ = 125MHz, V- = 1.5v	<b>0.4</b>	<b>ns</b>
<b>fmax</b>	Input Frequency	CL = 50pF	<b>120</b>	<b>MHz</b>
<b>fmax</b>	Input Frequency	CL = 15pF	<b>250</b>	<b>MHz</b>
<b>fmax</b>	Input Frequency	CL = 5pF	<b>300</b>	<b>MHz</b>
<b>fmax</b>	Input Frequency	CL = 2pF	<b>400</b>	<b>MHz</b>

#### Notes:

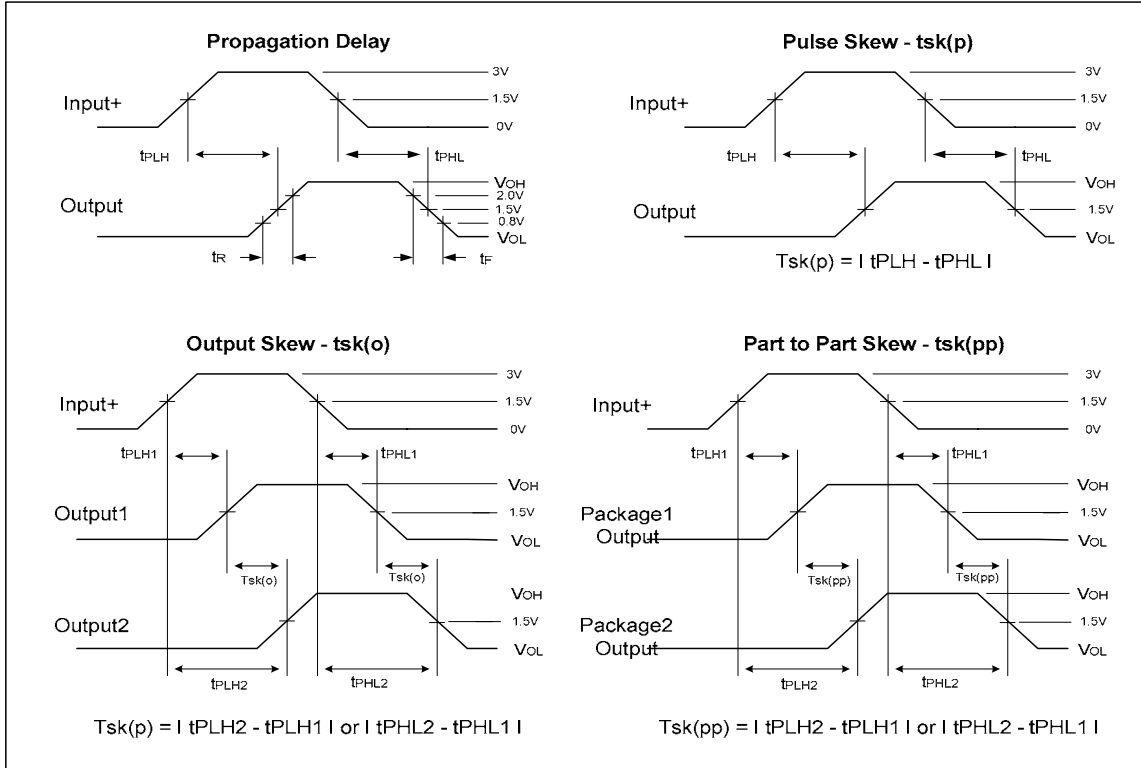
1. See test circuits and waveforms.
2. tPLH, tPHL, tsk(p), and tsk(o) are production tested. All other parameters guaranteed but not production tested.
3. Airflow of 1m/s is recommended for frequencies above 133MHz

# 400MHz TTL/CMOS Potato Chip

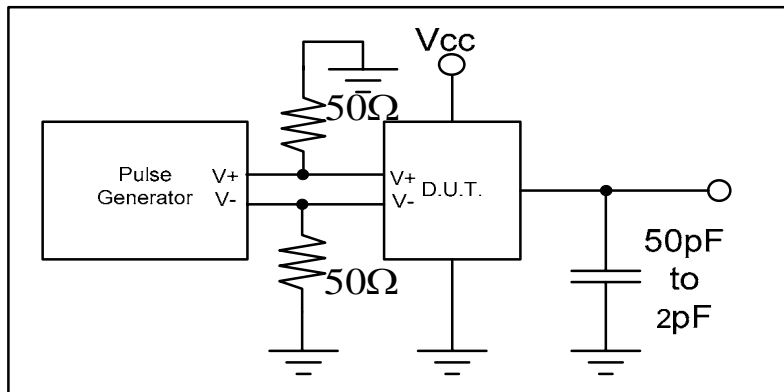
## PO49HSTL3807G

### 3.3V 1:10 Differential to TTL Translator Driver

#### Test Waveforms



#### Test Circuit

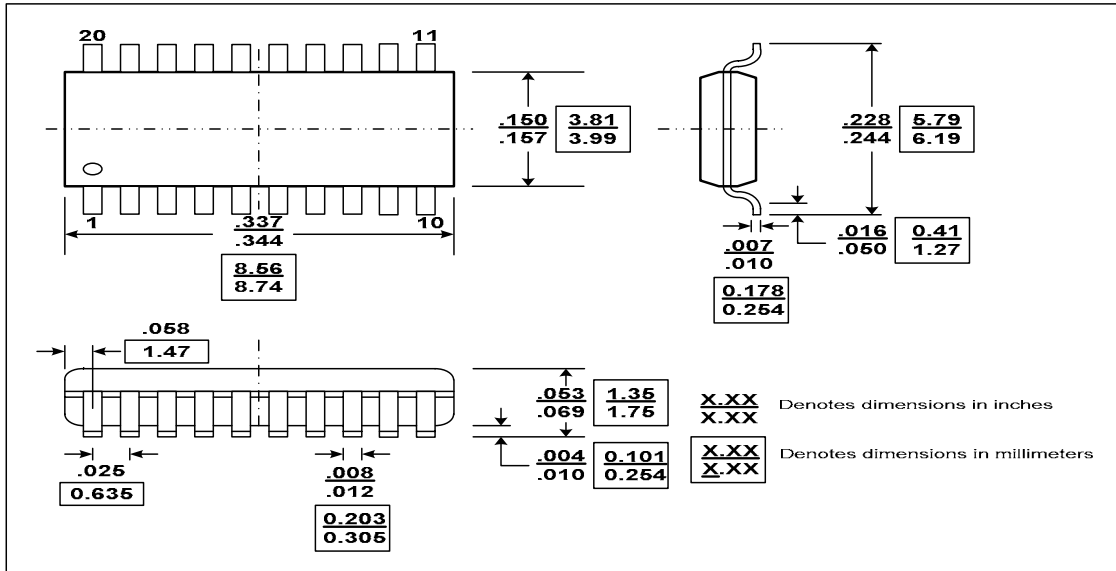


# 400MHz TTL/CMOS Potato Chip

## PO49HSTL3807G

### 3.3V 1:10 Differential to TTL Translator Driver

#### Packaging Mechanical Drawing: 20 pin QSOP



#### Packaging Mechanical Drawing: 20 pin SOIC

