

SA0019-04

R-C SNUBBER BOARD

LINE VOLTAGE UP TO 500V
DEVICE RMS CURRENT UP TO 400A

- High compactness
- Possibility of multiple configurations
- Quick setup and replacement

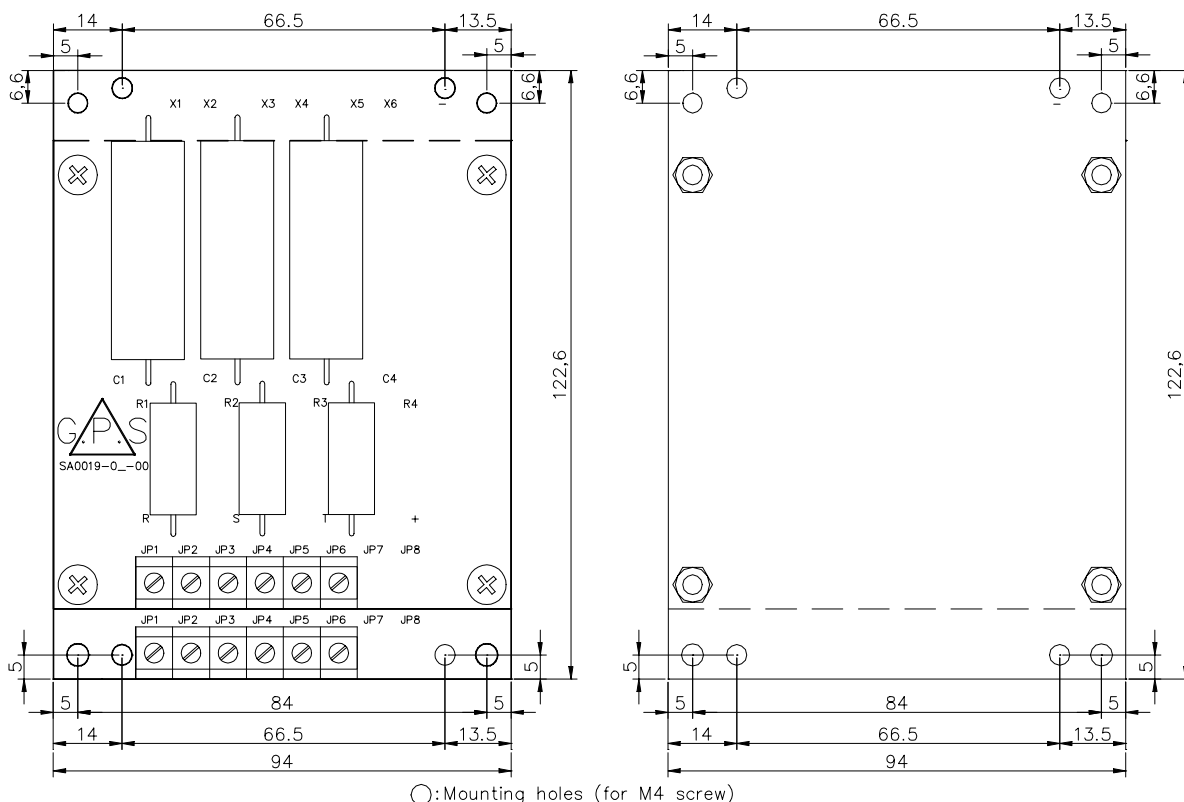
The SA0019-04 can be used as snubber board for three phase (fully controlled) bridges

BOARD CHARACTERISTICS

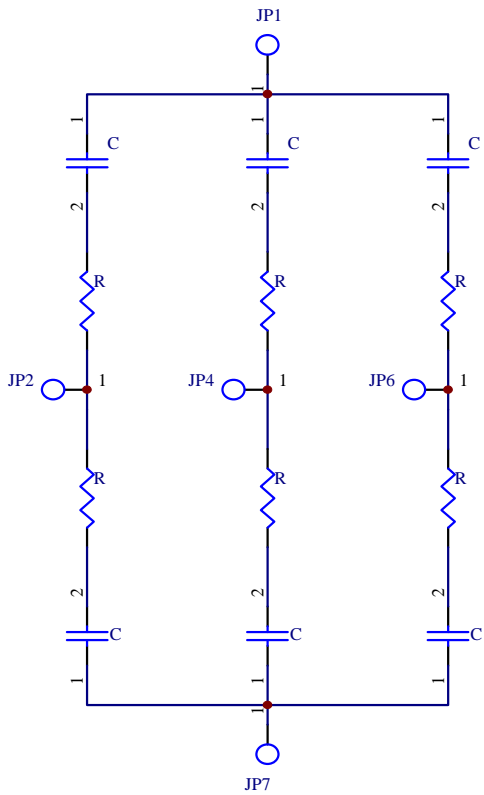
Characteristic		Conditions	Value
V (RMS)	Maximum voltage		500 V
R	Snubber resistor		22 ohm 5 W
C	Snubber capacitor		0.22 μ F 1200 V
	Pollution degree		II

MECHANICAL AND THERMAL CHARACTERISTICS

	Width		94 mm
	Depth		124 mm
	Height		52 mm
Ta max	Max amb. op. Temp.		40 °C
Tstg	Storage temperature		-40/60 °C



SA0019-04 THREE PHASE FULLY CONTROLLED BRIDGES SNUBBER BOARD



JP1: Positive DC output

JP2,JP4,JP6: Line input

JP7: Negative DC output

In the interest of product improvement Green Power Solutions reserves the right to change any specification given in this data sheet without notice.