



TAI-SAW TECHNOLOGY CO., LTD.

No. 3, Industrial 2nd Rd., Ping-Chen Industrial District,
Taoyuan, 324, Taiwan, R.O.C.

TEL: 886-3-4690038 FAX: 886-3-4697532

E-mail: tstsales@mail.taisaw.com Web: www.taisaw.com

Approval Sheet For Product Specification

Issued Date: August, 7, 2006

Product Name: SAW Filter 2650 MHz SMD 3.0X3.0 mm

TST Parts No.: TA0545A

Customer Parts No.: _____

Company: _____
Division: _____
Approved by : _____
Date: _____

Checked by: _____ Bob Chau

Approval by: _____ Francis Chen

Date: _____ 8, 7, 2006



TAI-SAW TECHNOLOGY CO., LTD.

No. 3, Industrial 2nd Rd., Ping-Chen Industrial District,
Taoyuan, 324, Taiwan, R.O.C.

TEL: 886-3-4690038 FAX: 886-3-4697532

E-mail: tstsales@mail.taisaw.com Web: www.taisaw.com

SAW Filter 2650MHz

MODEL NO.:TA0545A

REV. NO.:2

A. MAXIMUM RATING:

1. Input Power Level: 10 dBm
2. DC Voltage : 3V
3. Operating Temperature: -20°C to +70°C
4. Storage Temperature: -30°C to +85°C

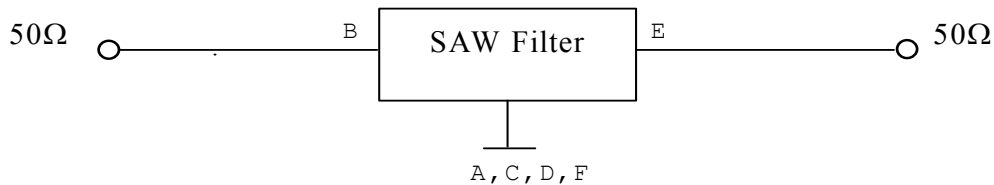
RoHS Compliant
Lead free
Lead-free soldering

B. ELECTRICAL CHARACTERISTICS:

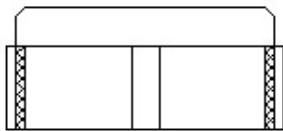
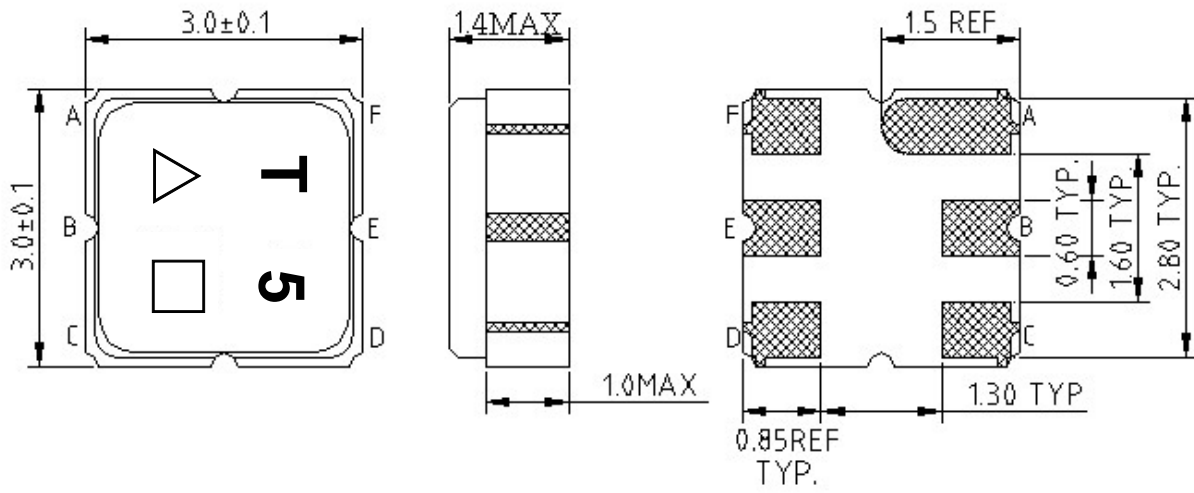
Item	Unit	Min.	Type.	Max.	Note
Center Frequency Fc	MHz	-	2650	-	-
Insertion Loss (2615 ~ 2685 MHz) IL	dB	-	2	3.5	-
Amplitude Ripple (2615 ~ 2685 MHz)	dB	-	0.9	2.5	-
VSWR (2615 ~ 2685 MHz)		-	1.6	2.3	-
Relative Attenuation (relative to 0 dB)					
D.C. ~ 2300 MHz	dB	23	27.5	-	-
2300 ~ 2500 MHz	dB	25	32	-	-
2800 ~ 4000 MHz	dB	30	34	-	-
4000 ~ 5000 MHz	dB	20	32	-	-

C. MEASUREMENT CIRCUIT:

HP Network analyzer



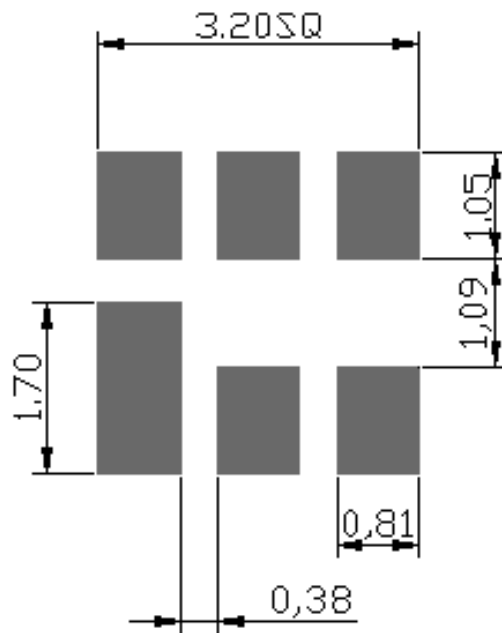
D.OUTLINE DRAWING:



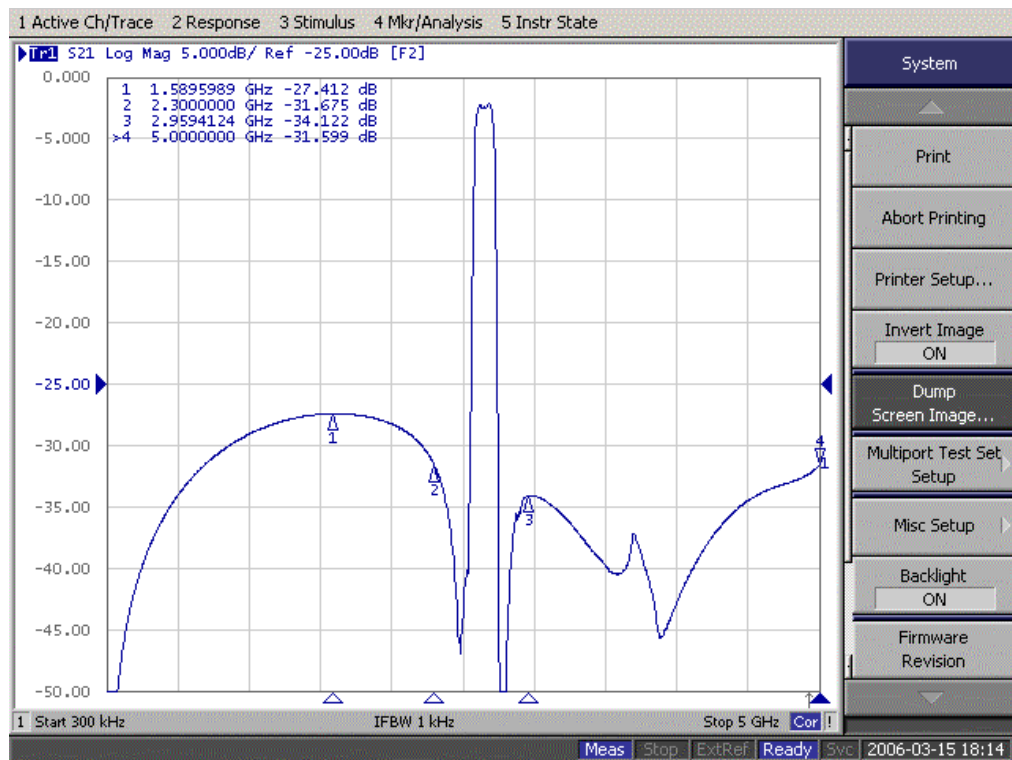
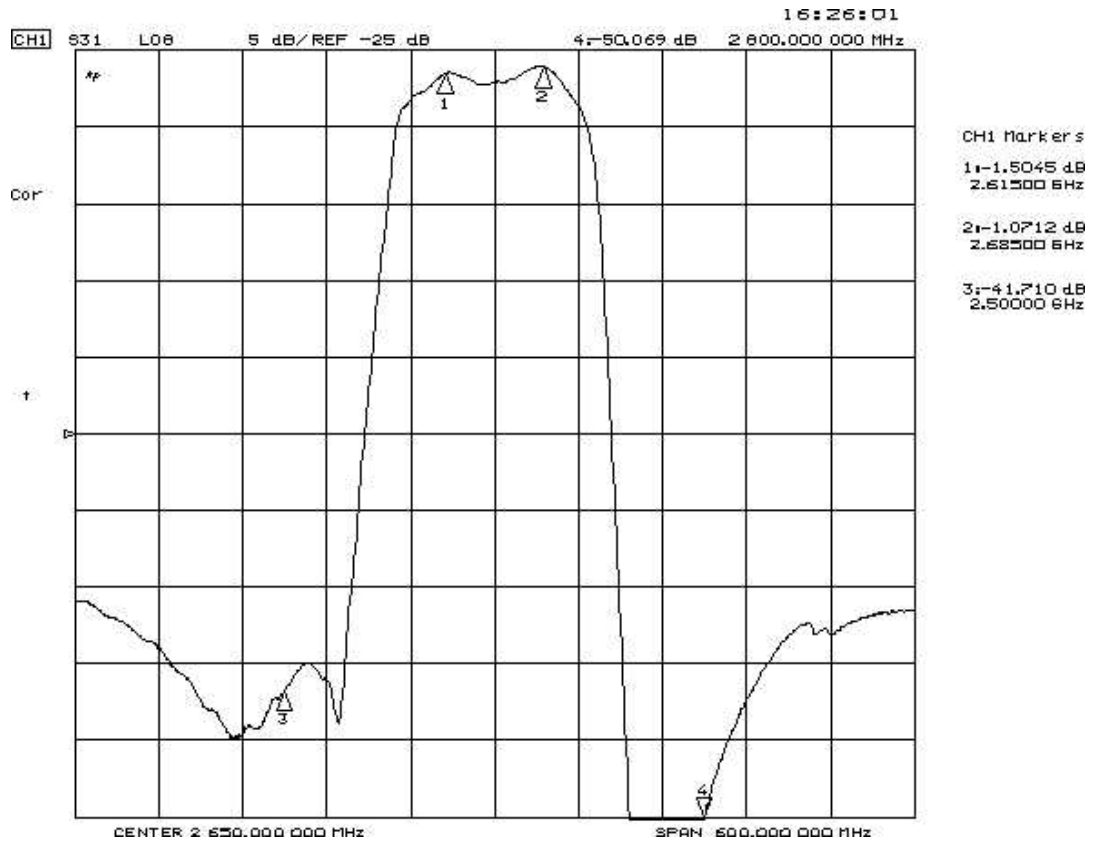
B INPUT
 E OUTPUT
 A,C,D,F GROUND
 DIMENSION : mm

△ : Year Code (2006->6, ..., 2009->9)
 □ : Date Code

E. PCB Footprint:

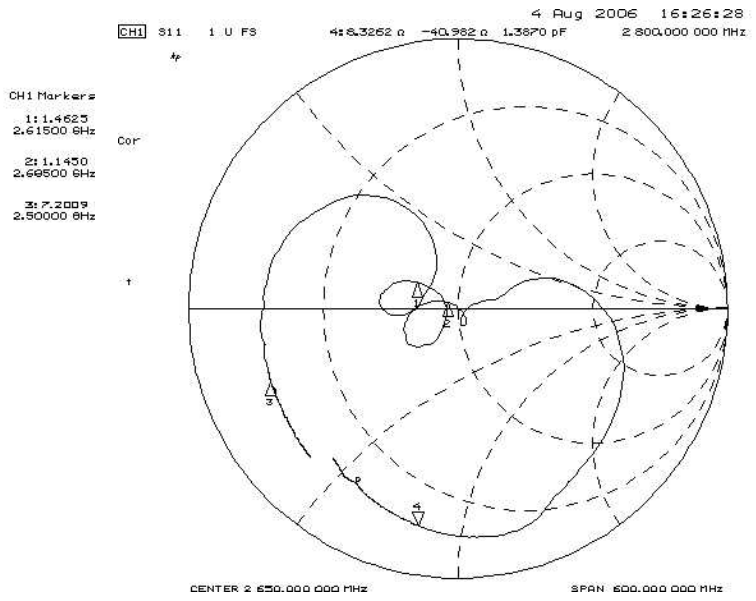
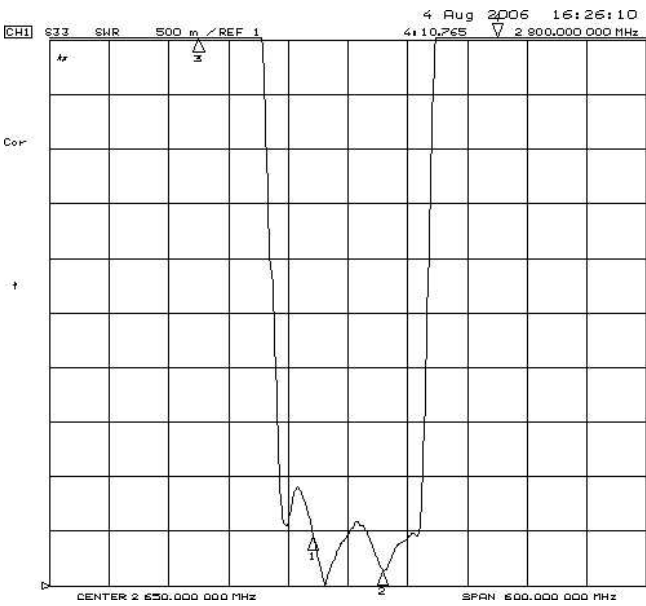


F. Frequency Characteristics :

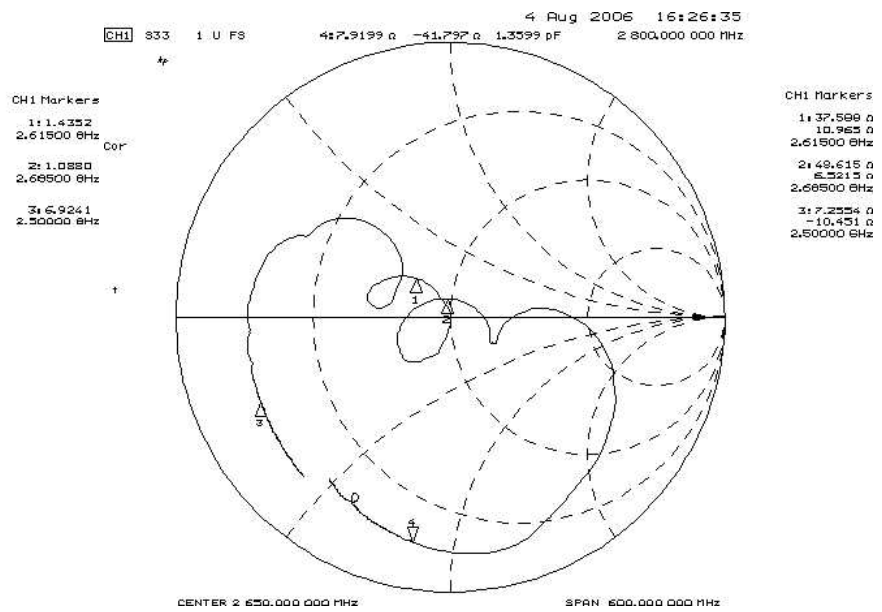
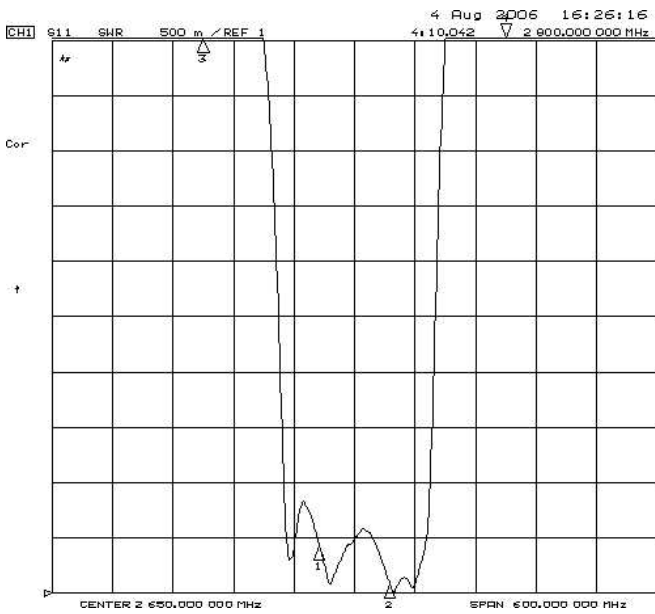


Reflections Functions :

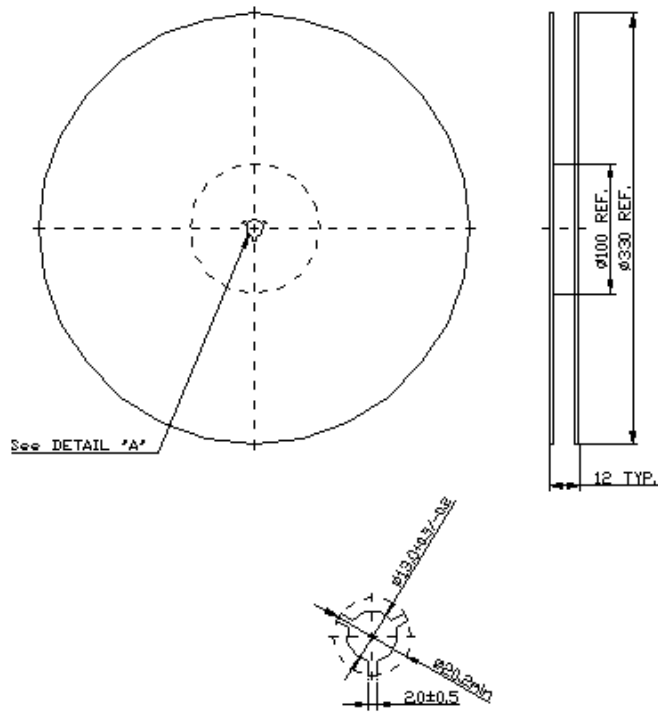
S11 VSWR



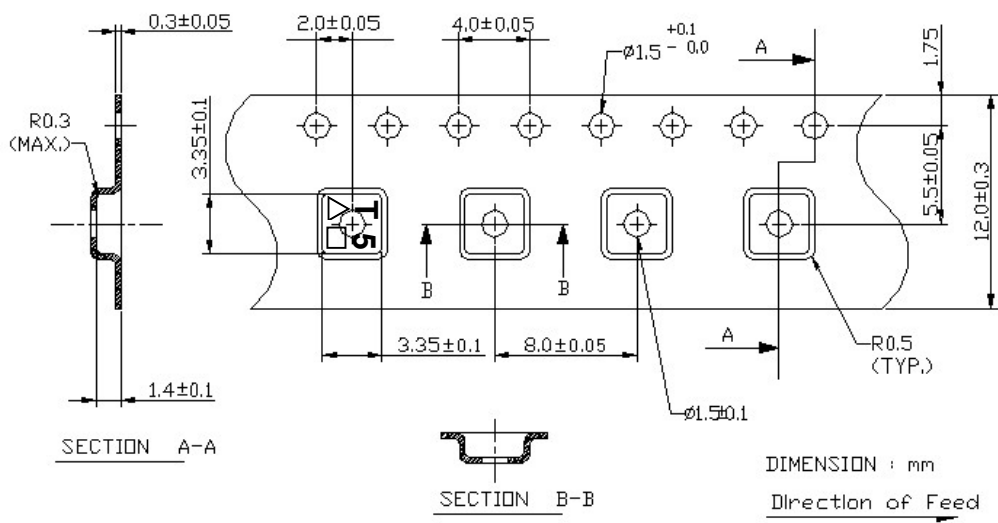
S22 VSWR



G. PACKING:
1. REEL DIMENSION



2. TAPE DIMENSION



H. RECOMMENDED REFLOW PROFILE :

