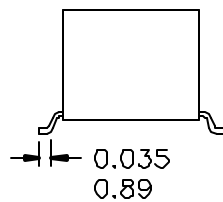
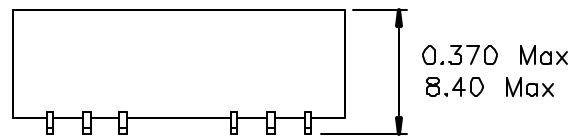
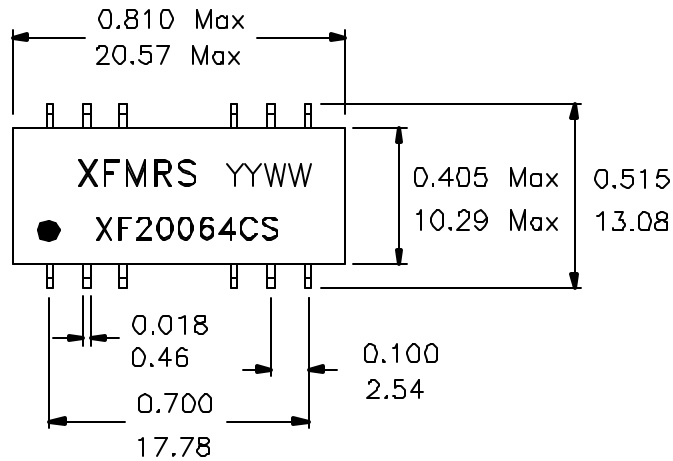
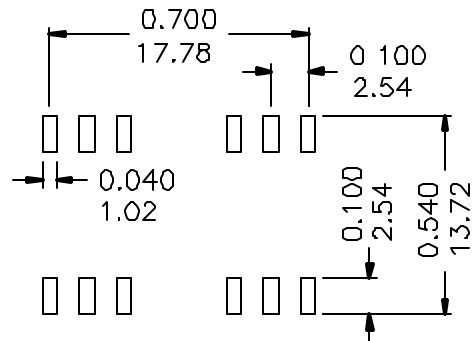


1. Dimensions:



CO-PLANARITY \pm 0.004 Max
0.10 Max

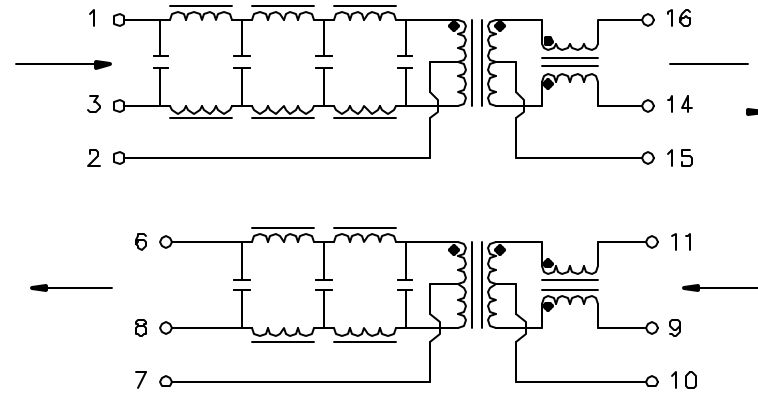


SUGGESTED FOOTPRINT

Notes:

1. Solderability: Leads shall meet MIL-STD-202, Method 208D for solderability.
2. Flammability: UL94V-0
3. ASTM oxygen index: > 28%
4. Insulation System: Class F 155°C. UL file E151556
5. Operating Temperature Range: All listed parameters are to be within tolerance from -40°C to +85°C
6. Storage Temperature Range: -55°C to +125°C
7. Aqueous wash compatible

2. Schematic:



3. Electrical Specifications: @25°C

Isolation Voltage: 1500VAC

Insertion Loss: -1.0dB Maximum @1MHz-10MHz

Return Loss: -15dB Minimum @1MHz-10MHz

Crosstalk: -30dB Minimum @1MHz-10MHz

Attenuation @30MHz

Transmit -28dB Minimum

Receive -18dB Minimum

Cut-off Frequency: 17MHz Typical

I/O Impedance: 100 Ohms

DOC. REV. B/1

XFMRs Inc	Title: 10BASE -T FILTER	
	UNLESS OTHERWISE SPECIFIED	
	TOLERANCES:	
	.xxx \pm 0.010 Inch	
Dimensions in Inch/mm		
P/N: XF20064CS	REV. B	
DWN.	廖玉坤	May-07-00
CHK.	李清儿	May-07-00
APP.	BW	May-07-00