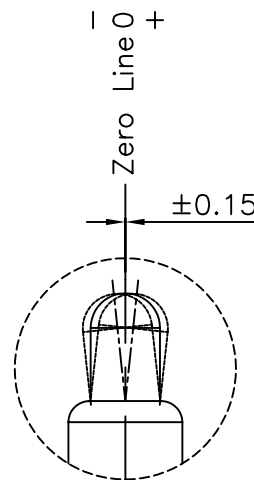
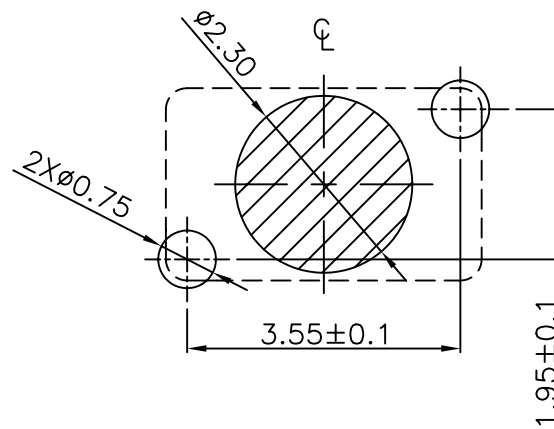


FULL STROKE 1.40  
STROKE 1.0mm 120g±30g

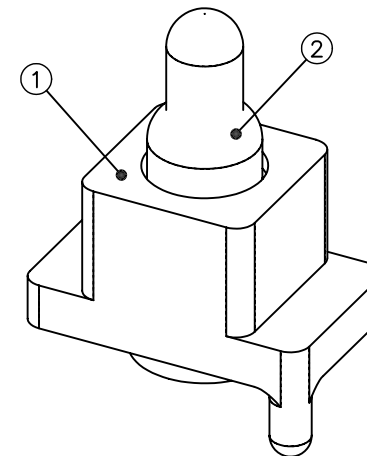


Recommended P.C.B Layout



NOTE I :  
350005MA001□□00ZL

- Plating  
'G1,-05u" gold over nickel.  
'G2,-Indicate gold flash.  
'G3,-10u" gold over nickel.  
'G4,-15u" gold over nickel.  
'G5,-30u" gold over nickel.



2	Terminal	Pho.Bronze	—	GOLD PLATED
1	Plastic	NY-6T	Black	UL94V-0
NO.	DESCRIPTION	MATERIAL	COLOR	REMARK

**SUYIN**  
CONNECTOR

CUSTOMER COPY TITLE: 3.50 PITCH PROBE PIN  
BATT. CONN(H:4.60;Ø:0.90)

PART NO. 350005MA001GX00ZL

PART NO. (OLD)

DRAWING NO. 350005MA001GX00ZL

SCALE 10:1 UNIT mm A4

ECN (DCN) NO.	REV	DATE	DESCRIPTION	CHANGE	APPRO.	GENERAL TOLERANCE UNLESS OTHERWISE NOTED
	0		NEW			

Angle	±2°	DRAW
30 ~	±0.50	DESIGN
10 ~ 30	±0.30	CHECK
~ 10	±0.15	APPRO.