



P/N: NU1S000-434 LF

Feature

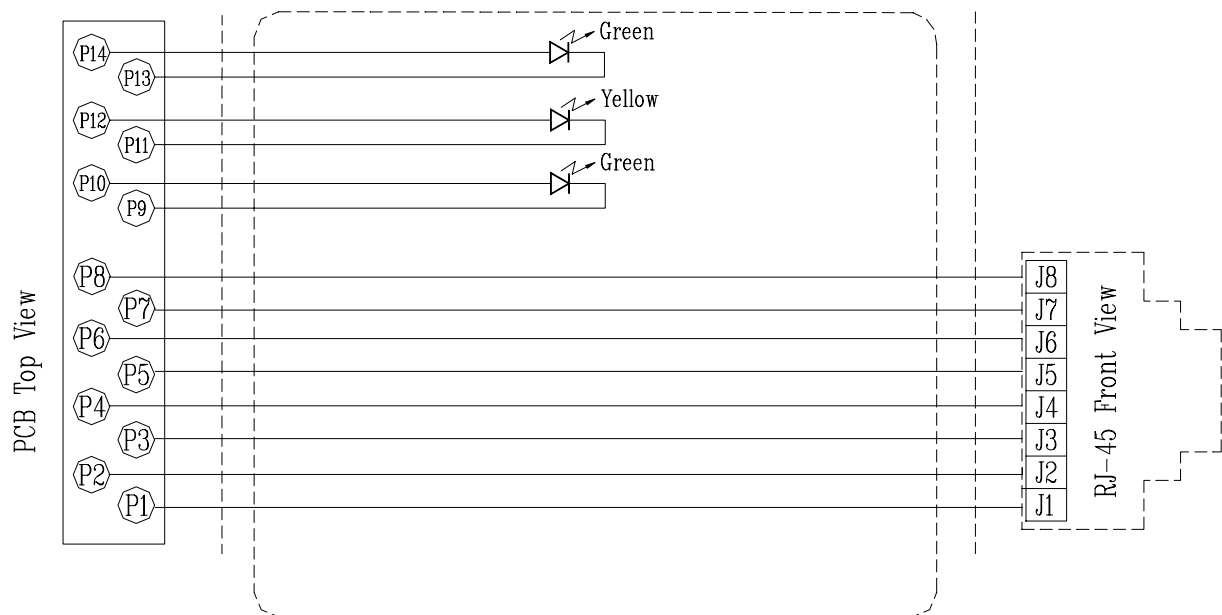


- Meet UL safety standard.
- Comply with RoHS requirements-whole part No Cd, No Hg, No Cr6+, No PBB and PBDE and No Pb on external pins.
- Operating temperature range: 0 to +70 .
- Storage temperature range: -25 to +85 .

Code	1	3	4	Empty
LED Color	Red	Yellow	Green	No LED

Schematic

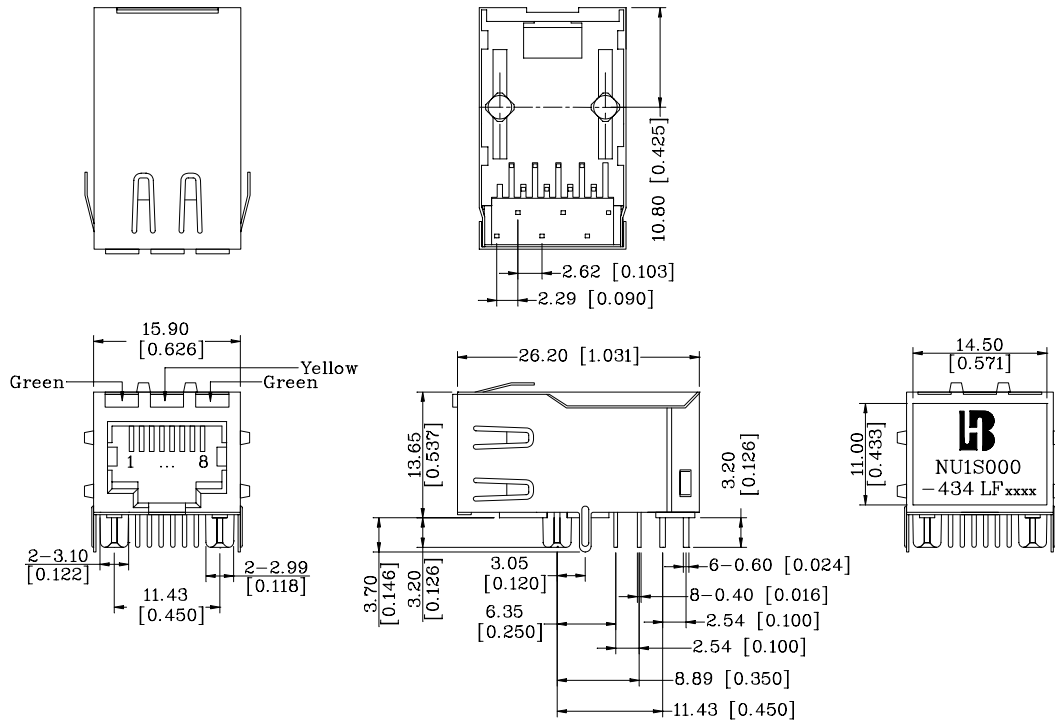
Block Circuit x 1 set in NU1S000-434 LF





P/N: NU1S000-434 LF

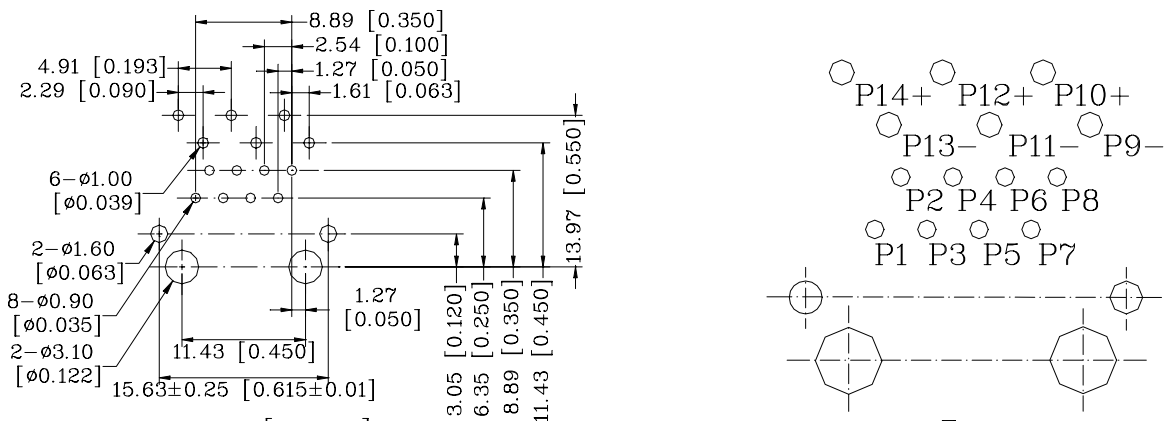
Mechanical



Units: mm[Inches] Tolerances: xx.x0±0.25[0.010]
0.xx±0.05[0.002]

- 1. Plastic Material : Thermoplastic (UL 94V-0), Black Housing
- 2. Metal Shield : Brass, 20u inches thick Nickel
- 3. Spring Wire : Phosphor bronze with selective gold plating
- 4. Solder Pin : 0.4x0.4mm, Phosphor bronze with solder Plated
- 5. Durability : 750 Mating cycles Min.

PCB Layout Mounting Hole(Top View)



Units: mm[Inches]
Tolerances: xx.x0±0.25[0.010]
0.xx±0.05[0.002]

