

P-tec Corp. Tel:(800)688-0613  
 2405 Commerce Circle Tel:(719) 589 3122  
 Alamosa Co. 81101 Fax:(719) 589 3592  
 www.p-tec.net sales@p-tec.net



## PL0084 Series SMD LED PLCC-4 Package Ultra Bright Amber

### Features

- \*PLCC-4 Package 3.2 x 2.7 x 1.9 mm
- \*High Luminous Output
- \*Very Wide Viewing Angle
- \*For use as Optical Indicator, Backlighting
- \*For Optical Coupling into Light Pipes/Lenses
- \*2000 pc reels, 12mm Tape
- \*RoHS Compliant

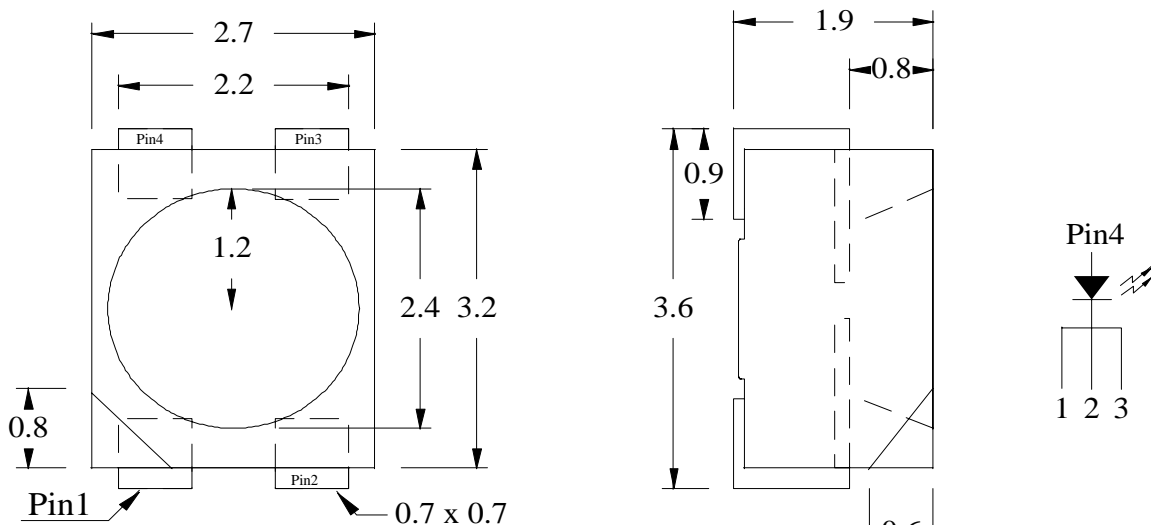
### Absolute Maximum Ratings at T<sub>A</sub> = 25°C

Power Dissipation.....	72mW
Reverse Voltage (<100μA).....	5.0V
Max Forward Current.....	30mA
Peak Forward Current (1/10 Duty Cycle, 0.1ms Pulse Width).....	100mA
Operating Temperature Range.....	-25°C to +85°C
Storage Temperature Range.....	-40°C to +100°C
Reflow Soldering Temperature.....	260°C for 10 seconds

### Electrical & Optical Characteristics at T<sub>A</sub> = 25°C

Part Number	Emitting Color	Chip Material	Peak Wave Length	Dominant Wave Length	View Angle 2θ ½	Forward Voltage @20mA (V)		Luminous Intensity @20mA (mcd)	
						Typ	Max	Min	Typ
Water Clear Lens			nm	nm	Deg				
PL0084-WCA17	Amber	AlGaInP	610	605	120°	1.9	2.4	135	330

Package Dimensions are in **Millimeters**. Tolerance is ± 0.25mm unless otherwise specified.



#### Recommended solder pad

