

PT311 Series POT23/11 HDSL Broadband Transformers For Brooktree and Level One Chipsets

- Designed to meet ANSI and ETSI requirement
- Excellent THD performance
- Matched to Brooktree and Level One chipsets
- Maximum Height 0.50 inches (12.7mm)
- 1500Vrms Minimum Isolation
- 70/75/160mA DC Current Capability
- Operating Temperature -40 to +85 °C.
- Custom Design for Other Pinouts and Dimensions are available



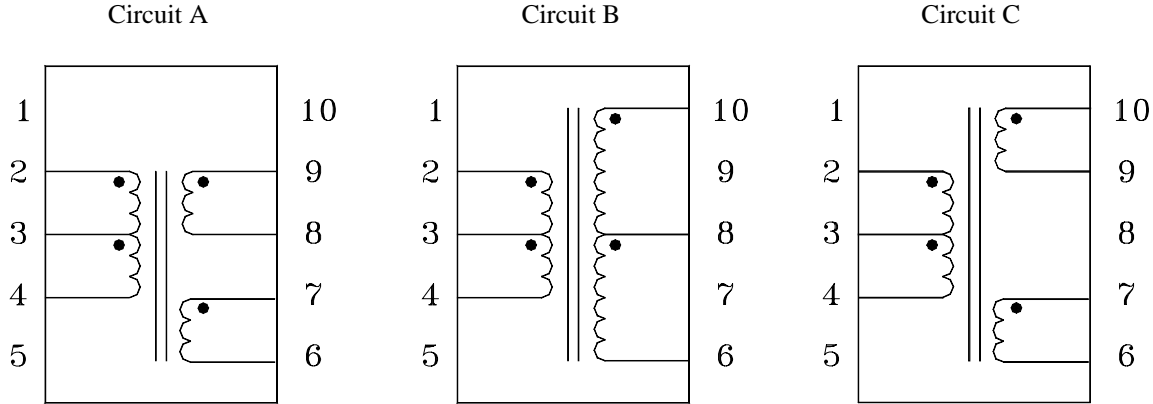
Electrical Specification 1:

Datatron Part Number	Chipset Maker	Chipset P/N	Application Bit rate (Kbps)	T/R (Chip:Line) +/-3%	Line Side Inductance (mH)	Line Side DCR (Ω , Max.)	Chip Side DCR (Ω , Max.)
PT31101	Brooktree	BT8921/BT8970	784Kbps	1CT:1:1	3.0 +/-6%	2.2 @(6-7), (8-9)	4.4 (2-4)
PT31102	Brooktree	BT8921/BT8970	1168Kbps	1CT:1:1	2.0 +/-6%	2.2 @(6-7), (8-9)	4.4 (2-4)
PT31103	Brooktree	BT8952	784Kbps	2CT:1:1	3.0 +/-6%	2.2 @(6-7), (8-9)	2.2 (2-4)
PT31104	Brooktree	BT8952	1168Kbps	2CT:1:1	2.0 +/-6%	2.2 @(6-7), (8-9)	2.2 (2-4)
PT31106	Brooktree	BT8960	416Kbps	1CT:1:1	3.5 +/-10%	2.2 @(6-7), (8-9)	2.2 (2-4)
PT31107	Brooktree	BT8960	288Kbps	1CT:1:1	5.0 +/-10%	2.5 @(6-7), (8-9)	2.5 (2-4)
PT31108	Brooktree	BT8960	160Kbps	1CT:1:1	8.0 +/-10%	3.0 @(6-7), (8-9)	3.0 (2-4)
PT31109	Level One	SK70704	784 (2 pair)	1CT:1.8CT	2.75 +/-6%	3.0 @(6-8), (8-10)	3.2 (2-4)
PT31110	Level One	SK70704	1168 (2 pair)	1CT:1.8CT	2.06 +/-6%	2.0 @(6-7), (9-10)	2.0 (2-4)

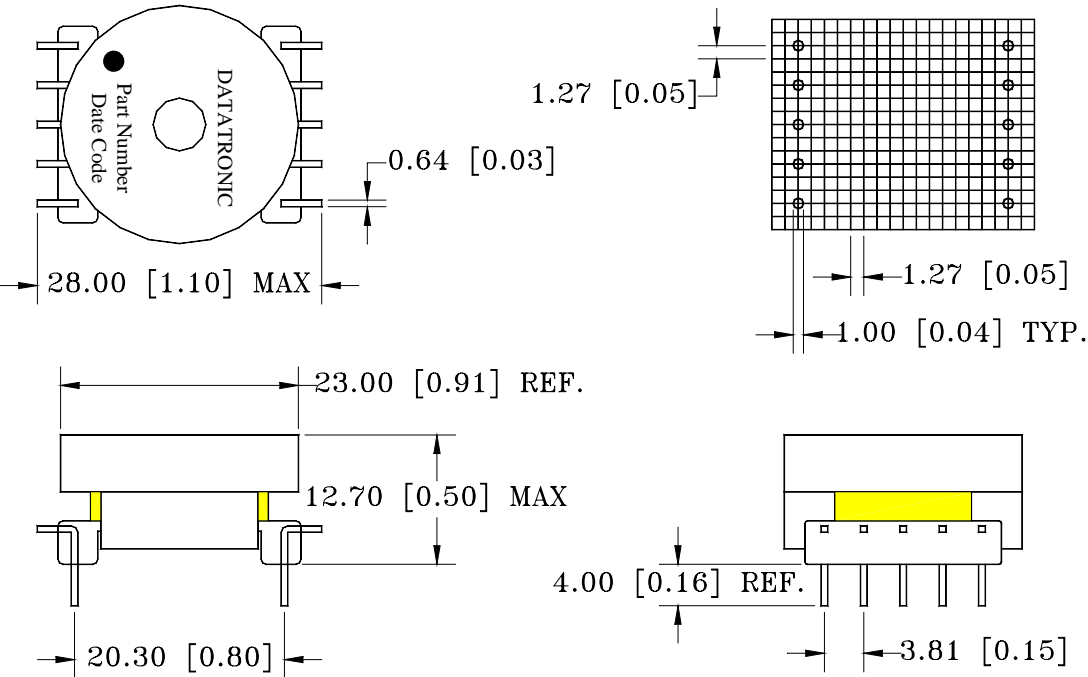
Electrical Specification 2:

Datatron Part Number	Schematic	DC Current Capability (mA)	THD (dB Typ. @135 Ω)	Return Loss (dB Typ.)	Longitudinal Balance (dB Typ. @135 Ω)	Leakage Inductance (uH, Typ.)	Hipot (Vrms) (Min.)
PT31101	A	70mA	-75 @200KHz, 6Vp-p	20 @40-200KHz	55 @196KHz	16	1500
PT31102	A	70mA	-75 @200KHz, 6Vp-p	16.5 @40-320KHz	55 @292KHz	16	1500
PT31103	A	160mA	-75 @200KHz, 6Vp-p	20 @40-200KHz	55 @196KHz	8	1500
PT31104	A	160mA	-75 @200KHz, 6Vp-p	16.5 @40-320KHz	55 @292KHz	8	1500
PT31106	A	70mA	-70 @104KHz, 6Vp-p	16.5 @33-110KHz	55 @104KHz	12	1500
PT31107	A	70mA	-70 @80KHz, 6Vp-p	16.5 @20-80KHz	55 @72KHz	12	1500
PT31108	A	70mA	-70 @40KHz, 6Vp-p	16.5 @9-40KHz	55 @40KHz	16	1500
PT31109	B	75mA	-75 @5KHz, 6Vp-p	20 @40-200KHz	50 @5-196KHz	-	2000
PT31110	C	75mA	-75 @5KHz, 6Vp-p	16.5 @40-320KHz	50 @5-292KHz	-	2500

SCHEMATICS



MECHANICAL:



ALL DIMENSIONS ARE IN MM [INCHES]

Note:

For non-RoHS parts consult factory for special part number.

CROSS REFERENCE:

Datatronic	Pulse Engineering	Bel Fuse	PCA	YCL	XFMS
PT31101	PE-69300	0560-6600-02	EPB5025	PS102031	XF2311-3HD
PT31102	PE-69301	0560-6600-01	EPB5050	PS102032	XF2311-4HD
PT31103	PE-68621			PS102029	XF2311-2HD
PT31104	PE-68622			PS102030	XF2311-1HD
PT31106	B1001			PS102033	
PT31107	B1002	0560-6600-06		PS102034	
PT31108	B1004	0560-6600-07		PS102035	
PT31109	PE-68614	0557-0450-00		PS102036	XF2311-5HD
PT31110	PE-68650	0560-6600-12		PS102037	XF2311-6HD