

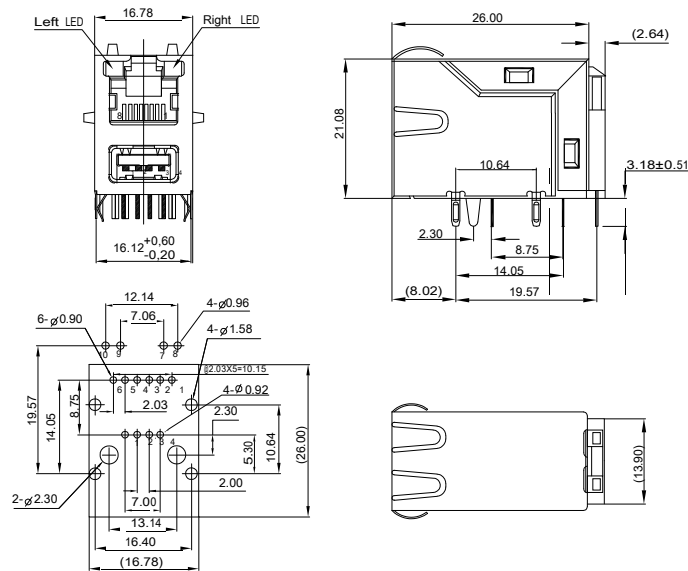
FEATURES

- LAN interface suitable for 10/100Base-TX applications
- RJ45/USB stacked design saves on PCB real estate
- USB module complies with USB 2.0 standards and meets CAT5 Fast Ethernet industry performance standard
- Magnetics are 100% electrically tested for HI-POT and continuity
- Meets or exceeds IEEE 802.3 and ANSI X3.263 standards including 350 μ H minimum OCL with 8 mA bias

ELECTRICAL SPECIFICATIONS @25°C-Operating temperature 0°C TO 70°C

Part Number	Turns Ratio ($\pm 5\%$)		Insertion Loss (dB MAX)	Return Loss (dB MIN@100 Ω $\pm 15\%$)		Crosstalk (dB TYP)	CMR (dB MIN)	DCMR (dB MIN)	Hipot (Vrms)	
	TX	RX	1-100 MHz	1-30 MHz	30-60 MHz	60-80 MHz	0.5-100 MHz	0.3-100 MHz	1-100 MHz	
RJ4-1201DYD2	1CT:1CT	1CT:1CT	-1.0dB	-18dB	-18+20Log(F/30MHz)	-12dB	-35dB	-30dB	-35dB	@ 60Hz

Mechanicals

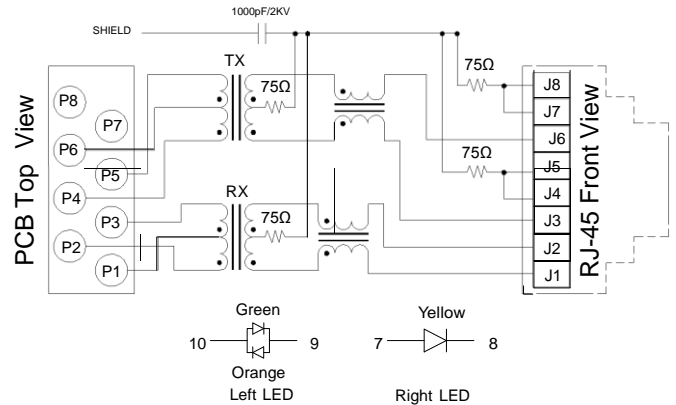


PC Board Layout
Component Side Shown

UNIT : mm

Unless otherwise specified, all tolerances are ± 0.25

Schematics



Part Number :

RJ4 - 1201 DYD 2
A B C D

A:Series

B:Schematics

C:LED

D:Gold Plating:1=3u",2=6u",3=15u",4=30u",5=50u"

Mechanicals

Housing Material:

MATERIAL:NYLON GF (Fr50) UL94V-0 STANDARD COLOR:BLACK

Insert Material:

MATERIAL:Phos-Bronze C5210 EH--0.35mm Thickness

Insert -PBT GF UL94V-0

- 1.PLATING(1) NICKEL
- 2.PLATING(2) 100%Sn
- 3.PLATING(3) GOLD (3u " ~ 50u ")

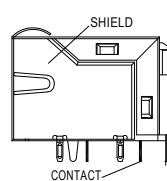
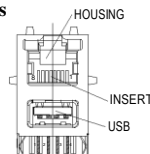
Plate Material:

PBT GF UL 94V-0

Contact pin Material:

MATERIAL: Phos-Bronze C5210 EH--0.35mm Thickness

- 1.PLATING(1) NICKEL
- 2.PLATING(2) 100%Sn



Shielding Material:

BRASS C2680 H.--0.20mm THICKNESS PLATING NICKEL

Operating Life:750 Cycles MIN.

Environmental

- 1.Storage Temp:-40°C TO +85°C.
- 2.Operating Temp: 0°C TO +70°C.
- 3.Wave Soldering Temperature:230 ~ 250°C(3 ~ 5 SECONDS)
4. MATES WITH MODULAR PLUG CONFORMING TO FCC PART 68,SUBPARTE.